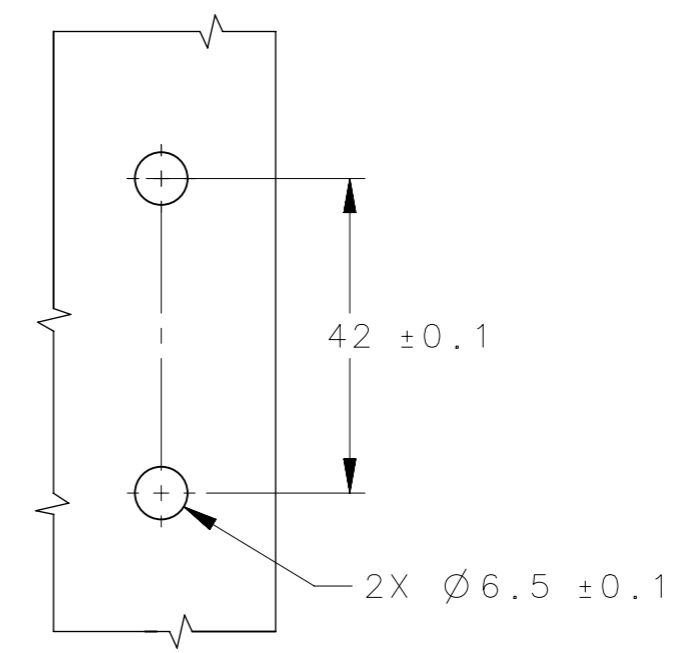
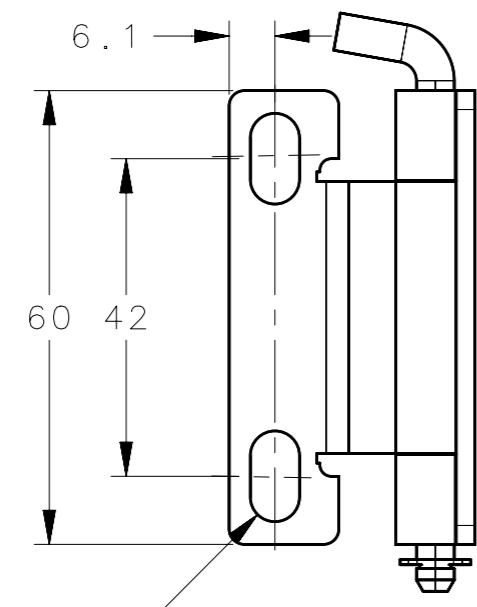
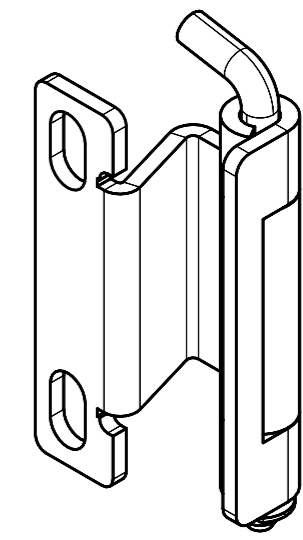
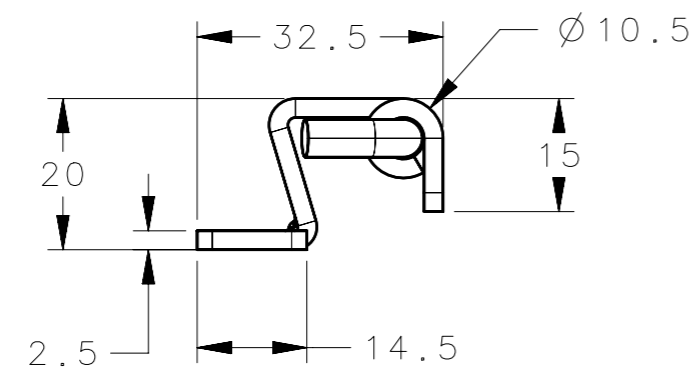


REVISION HISTORY			
REV	DATE	BY	DESCRIPTION
A	04JUL2024	SBK/VK	IPN: IP-2024-1603



Ø 6.5 X 12  
(2 SLOT)

NOTES:-  
1. MOUNTING SCREWS NOT SUPPLIED.

F6-DHIM-6026-SS	CORNER & REMOVABLE HINGES	SS 304	ELECTRO POLISHING
F6-DHIM-6026	CORNER & REMOVABLE HINGES	MS	BLUE ZINC PLATED
SOUTHCO PART NUMBER	DESCRIPTION	MATERIAL	FINISH
CPB NUMBER 2024-0167	THIRD ANGLE PROJECTION		
	MILLIMETERS [IN]		
SURFACE AREA mm <sup>2</sup>	TOLERANCES UNLESS OTHERWISE NOTED	DESCRIPTION CORNER & REMOVABLE HINGES	
VOLUME mm <sup>3</sup>	ALL DIMENSIONS WITHOUT TOLERANCES ARE FOR REFERENCE ONLY.	SIZE A3	SYSTEM NX
PROPRIETARY ITEM	PER ASME Y14.5M-2009	DWG NO. J-F6-DHIM-6026	DATE 10APR2024
EXCEPT FOR USES EXPRESSLY GRANTED IN WRITING, INFORMATION DISCLOSED HEREON IS CONFIDENTIAL AND ALL RIGHTS, PATENT AND OTHERWISE, ARE RESERVED BY SOUTHCO, INC.		DRAWN BY SBK	SCALE 1:1
			SHEET 1 OF 1