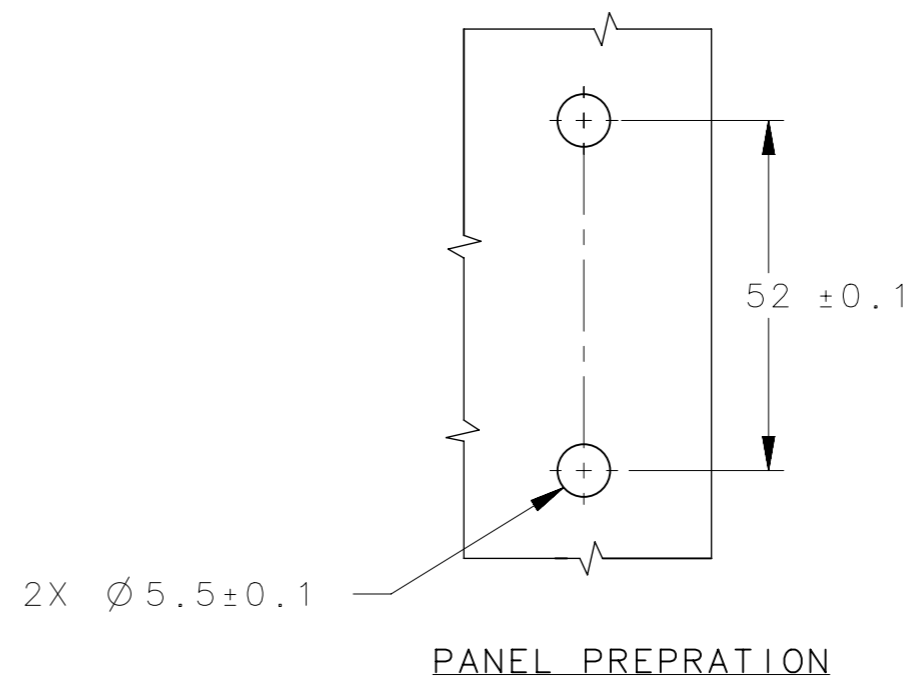
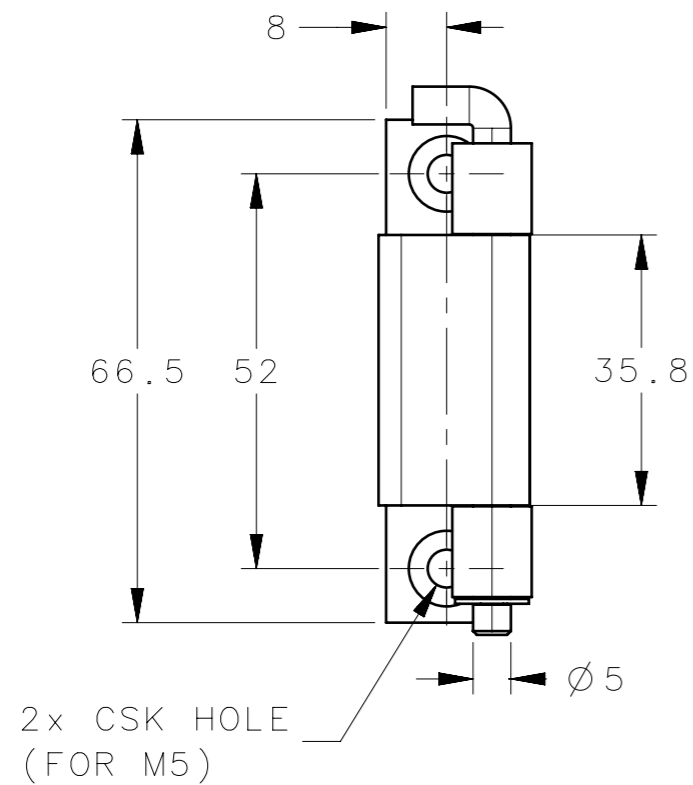
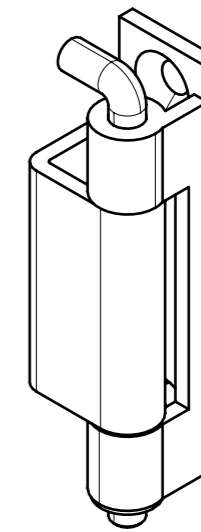
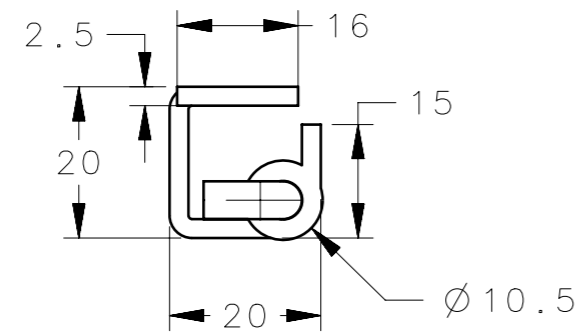


REVISION HISTORY			
REV	DATE	BY	DESCRIPTION
A	04JUL2024	SBK/VK	IPN: IP-2024-1603



NOTES:-

1. MOUNTING SCREWS NOT SUPPLIED.
2. OPENING ANGLE 120°.

F6-DHIM-6036	CORNER & REMOVABLE HINGES	MS	BLUE ZINC PLATED
F6-DHIM-6036-SS	CORNER & REMOVABLE HINGES	SS-304	ELECTRO POLISHING
SOUTHCO PART NUMBER	DESCRIPTION	MATERIAL	FINISH
CPB NUMBER 2024-0167	THIRD ANGLE PROJECTION		
	MILLIMETERS [IN]		
SURFACE AREA mm ²	TOLERANCES UNLESS OTHERWISE NOTED	DESCRIPTION CORNER & REMOVABLE HINGES	
VOLUME mm ³	ALL DIMENSIONS WITHOUT TOLERANCES ARE FOR REFERENCE ONLY.	SIZE A3	SYSTEM NX
PROPRIETARY ITEM EXCEPT FOR USES EXPRESSLY GRANTED IN WRITING, INFORMATION DISCLOSED HEREON IS CONFIDENTIAL AND ALL RIGHTS, PATENT AND OTHERWISE, ARE RESERVED BY SOUTHCO, INC.	PER ASME Y14.5M-2009	DWG NO. J-F6-DHIM-6036	DATE 24APR2024
		DRAWN BY SBK	SCALE 1:1
			SHEET 1 OF 1