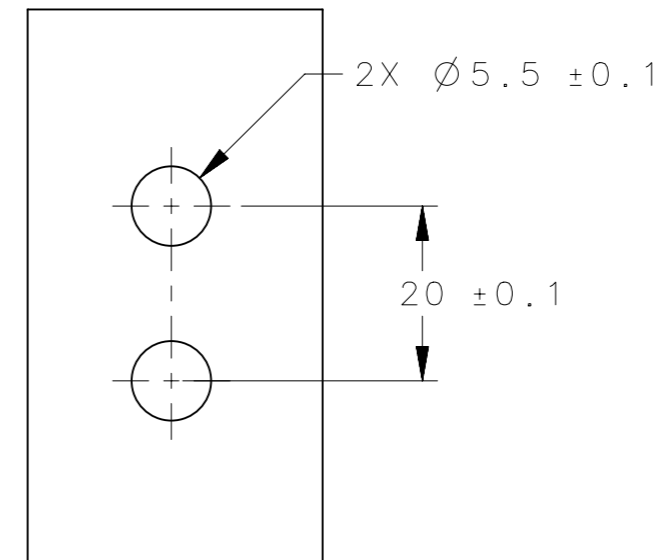
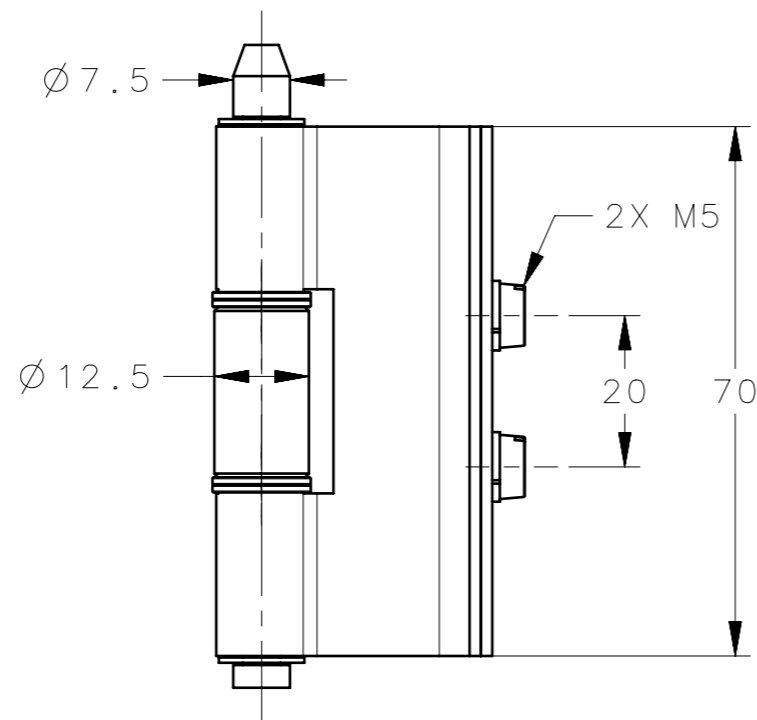
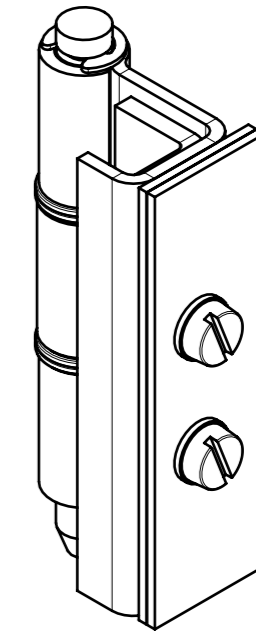
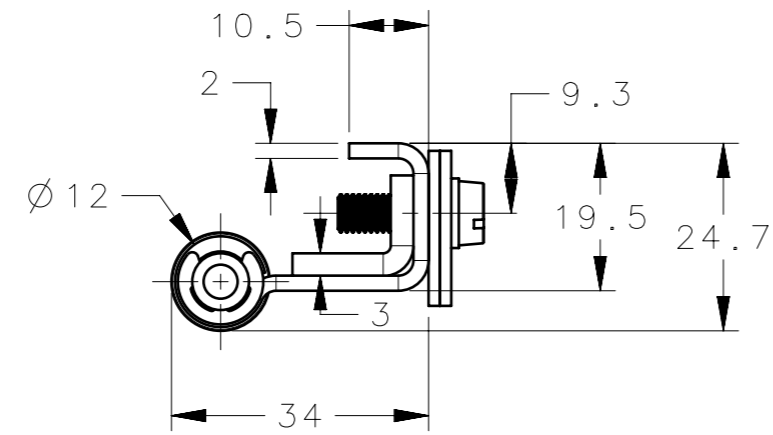


REVISION HISTORY			
REV	DATE	BY	DESCRIPTION
A	04JUL2024	SBK/VK	IPN: IP-2024-1605



PANEL PREPRATION

- NOTES:-
1. MOUNTING SCREWS NOT SUPPLIED.
 2. OPENING ANGLE 110°.

F6-DHIM-7020-SS	CORNER & REMOVABLE HINGES	SS-304	ELECTRO POLISHING
SOUTHCO PART NUMBER	DESCRIPTION	MATERIAL	FINISH
CPB NUMBER 2024-0167	THIRD ANGLE PROJECTION	 CONNECT · CREATE · INNOVATE	
SURFACE AREA mm ²	MILLIMETERS [IN]		
VOLUME mm ³	TOLERANCES UNLESS OTHERWISE NOTED	DESCRIPTION CORNER & REMOVABLE HINGES	
PROPRIETARY ITEM	ALL DIMENSIONS WITHOUT TOLERANCES ARE FOR REFERENCE ONLY.	SIZE A3	SYSTEM NX
EXCEPT FOR USES EXPRESSLY GRANTED IN WRITING, INFORMATION DISCLOSED HEREON IS CONFIDENTIAL AND ALL RIGHTS, PATENT AND OTHERWISE, ARE RESERVED BY SOUTHCO, INC.	PER ASME Y14.5M-2009	DWG NO. J-F6-DHIM-7020-SS	DATE 26APR2024
		DRAWN BY SBK	SCALE 1:1
			SHEET 1 OF 1