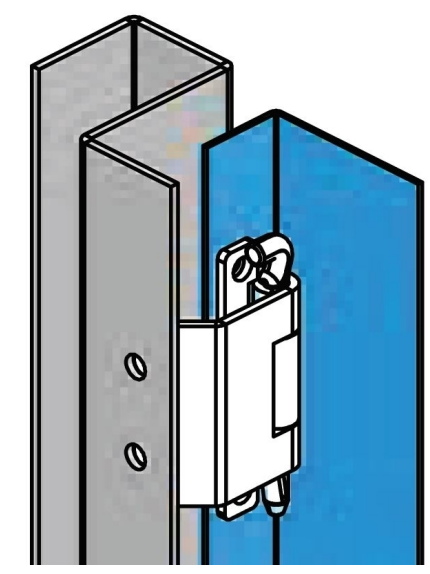
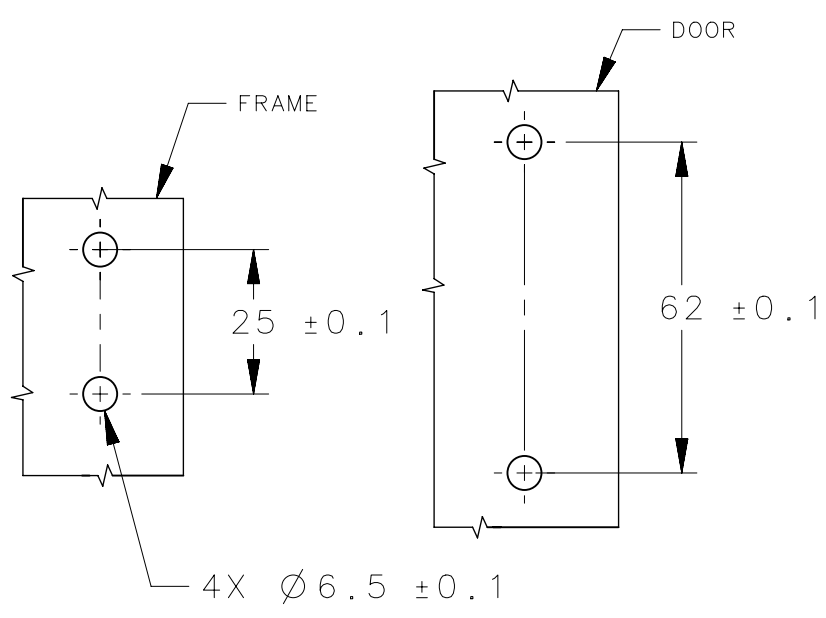
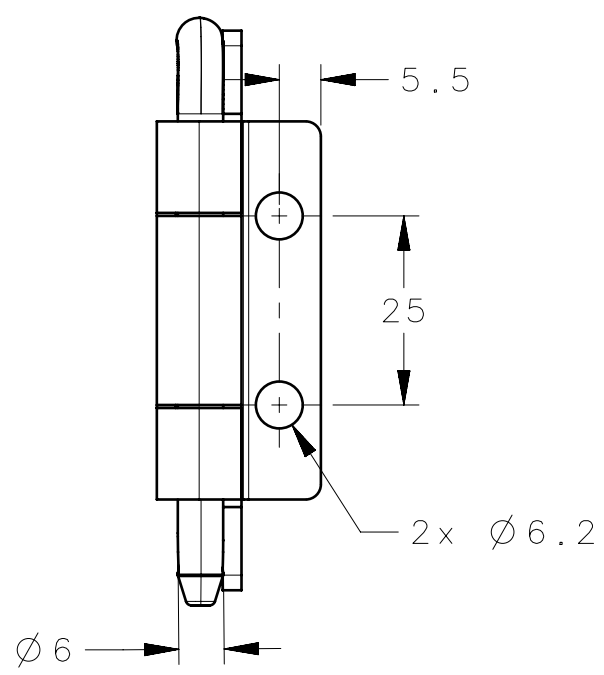
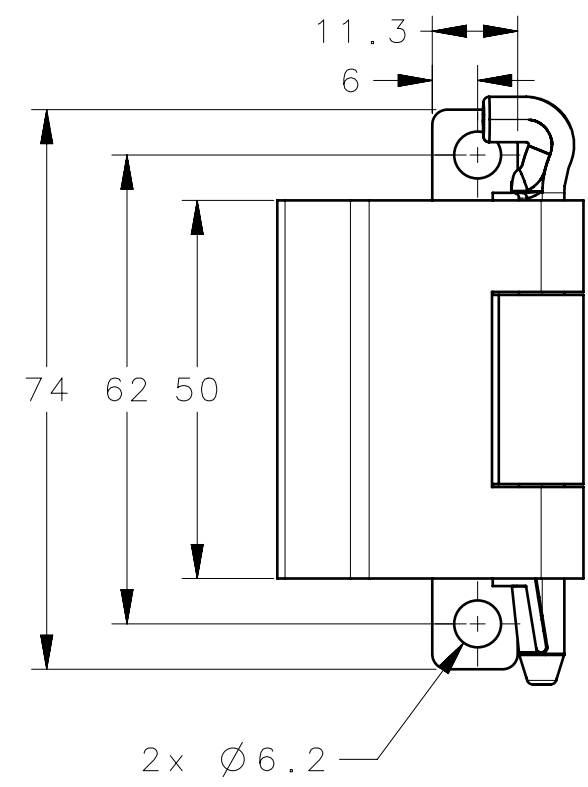
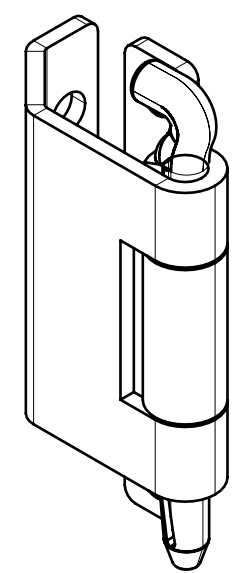
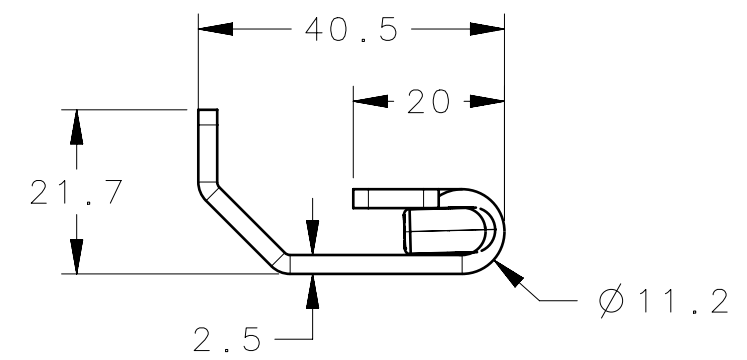


REVISION HISTORY			
REV	DATE	BY	DESCRIPTION
A	04JUL2024	SBK/VK	IPN: IP-2024-1604



PANEL PREPARATION

NOTES:-  
 1. MOUNTING SCREWS NOT SUPPLIED.  
 2. OPENING ANGLE 120°.

F6-DHIM-74-GL		CORNER & REMOVABLE HINGES	GALVANIZED MATERIAL	GALVANIZED FINISH
SOUTHCO PART NUMBER		DESCRIPTION		
CPB NUMBER	2024-0167	THIRD ANGLE PROJECTION		
		MILLIMETERS [IN]		
SURFACE AREA		TOLERANCES UNLESS OTHERWISE NOTED		DESCRIPTION
VOLUME		ALL DIMENSIONS WITHOUT TOLERANCES ARE FOR REFERENCE ONLY.		CORNER & REMOVABLE HINGES
PROPRIETARY ITEM		SIZE	SYSTEM	DWG NO.
EXCEPT FOR USES EXPRESSLY GRANTED IN WRITING, INFORMATION DISCLOSED HEREON IS CONFIDENTIAL AND ALL RIGHTS, PATENT AND OTHERWISE, ARE RESERVED BY SOUTHCO, INC.		A3	NX	J-F6-DHIM-74-GL
PER ASME Y14.5M-2009		DRAWN BY	DATE	SCALE
		SBK	10APR2024	1:1
				SHEET 1 OF 1