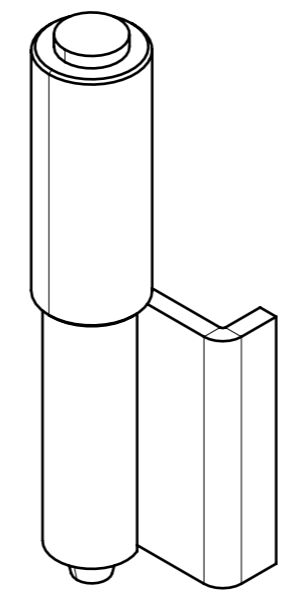
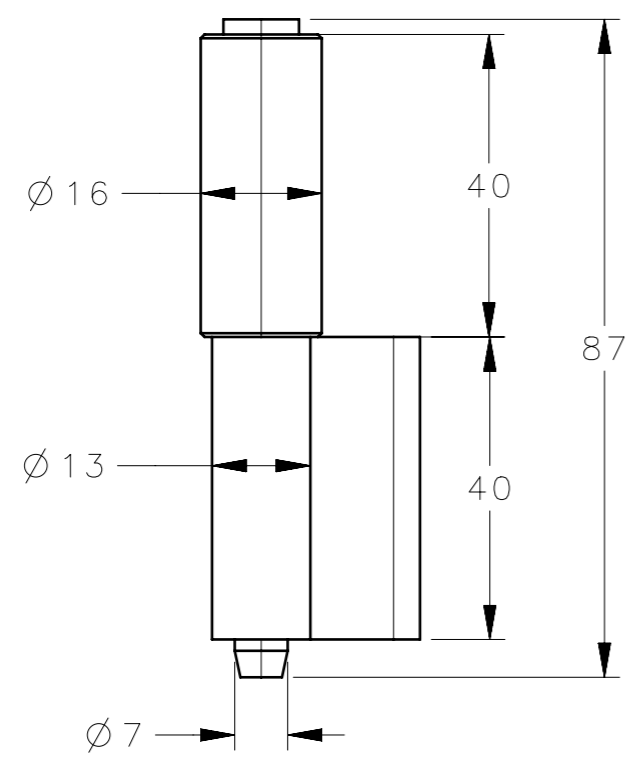
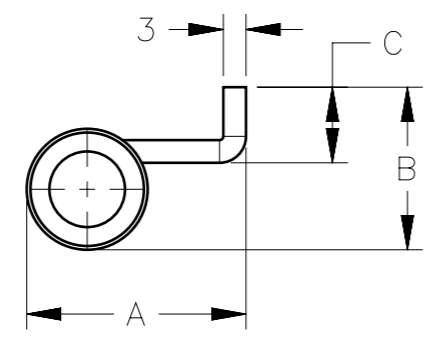
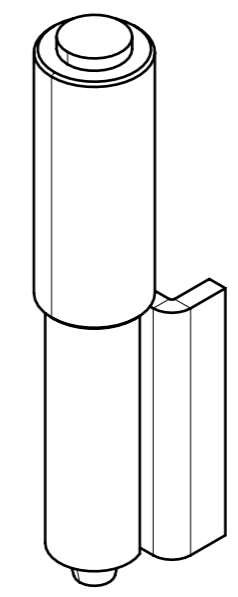


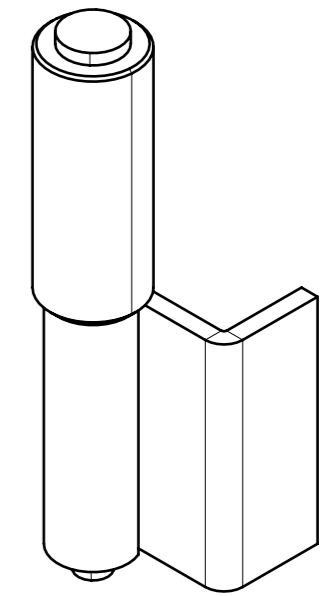
REVISION HISTORY			
REV	DATE	BY	DESCRIPTION
A	04JUL2024	SBK/VK	IPN: IP-2024-1605



F6-DHIW-8040



F6-DHIW-8040-A



F6-DHIW-8040-C

NOTES:-  
 1. MOUNTING SCREWS NOT SUPPLIED.  
 2. OPENING ANGLE 110°.

F6-DHIW-8040	CORNER & REMOVABLE HINGES	MS	BLUE ZINC PLATED	29	21.5	10
F6-DHIW-8040-A	CORNER & REMOVABLE HINGES	MS	BLUE ZINC PLATED	19	21.5	10
F6-DHIW-8040-C	CORNER & REMOVABLE HINGES	MS	BLUE ZINC PLATED	29	29	17.5
SOUTHCO PART NUMBER		DESCRIPTION	MATERIAL	FINISH		
CPB NUMBER	2024-0167	THIRD ANGLE PROJECTION				
SURFACE AREA		MILLIMETERS [IN]				
VOLUME		TOLERANCES UNLESS OTHERWISE NOTED	DESCRIPTION			
PROPRIETARY ITEM		ALL DIMENSIONS WITHOUT TOLERANCES ARE FOR REFERENCE ONLY.	CORNER & REMOVABLE HINGES			
EXCEPT FOR USES EXPRESSLY GRANTED IN WRITING, INFORMATION DISCLOSED HEREON IS CONFIDENTIAL AND ALL RIGHTS, PATENT AND OTHERWISE, ARE RESERVED BY SOUTHCO, INC.		PER ASME Y14.5M-2009	SIZE	SYSTEM	DWG NO.	
			A3	NX	J-F6-DHIW-8040	
			DRAWN BY	DATE	SCALE	SHEET
			SBK	26APR2024	1:1	1 OF 1