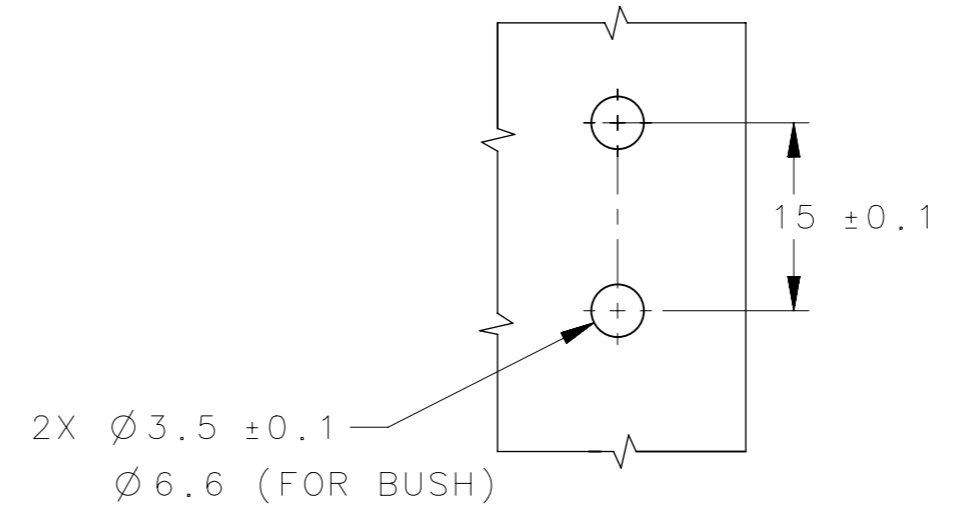
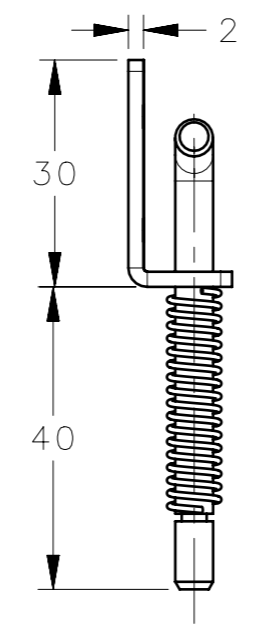
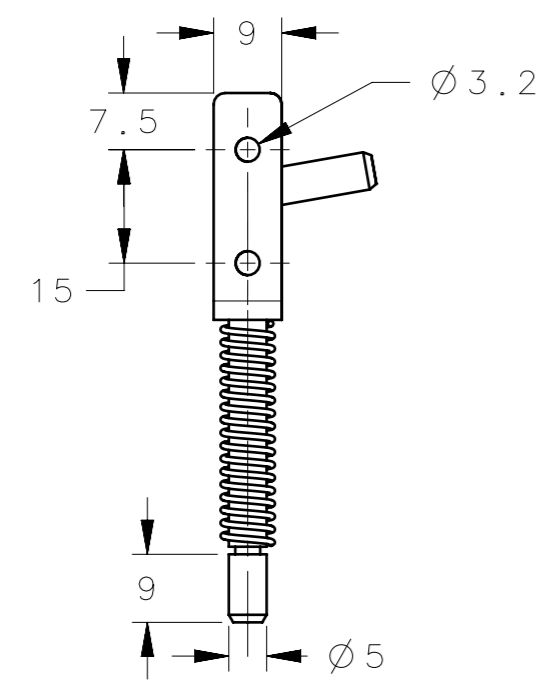
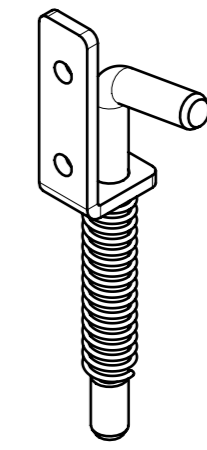
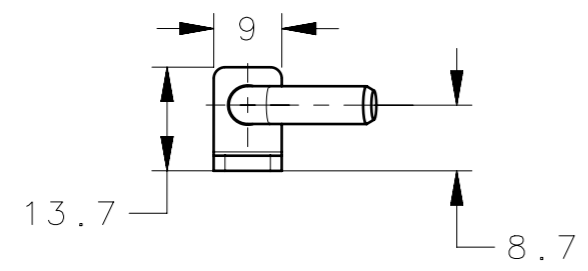


REVISION HISTORY			
REV	DATE	BY	DESCRIPTION
A	02JUL2024	SBK/VK	IPN: IP-2024-1600



SEE TABLE

PANEL PREPRATION

NOTES:-
1. MOUNTING SCREWS NOT SUPPLIED.

F6-DSHI-4B	CORNER & REMOVABLE HINGES	MS	BLUE ZINC PLATED	BUSH
F6-DSHI-4-SS	CORNER & REMOVABLE HINGES	SS 304	ELECTRO POLISHING	NA
F6-DSHI-4	CORNER & REMOVABLE HINGES	MS	BLUE ZINC PLATED	NA
SOUTHCO PART NUMBER	DESCRIPTION	MATERIAL	FINISH	MOUNTING STYLE
CPB NUMBER 2024-0167	THIRD ANGLE PROJECTION			
	MILLIMETERS [IN]			
SURFACE AREA mm ²	TOLERANCES UNLESS OTHERWISE NOTED	DESCRIPTION CORNER & REMOVABLE HINGES		
VOLUME mm ³	ALL DIMENSIONS WITHOUT TOLERANCES ARE FOR REFERENCE ONLY.	SIZE A3	SYSTEM NX	DWG NO. J-F6-DSHI-4
PROPRIETARY ITEM EXCEPT FOR USES EXPRESSLY GRANTED IN WRITING, INFORMATION DISCLOSED HEREON IS CONFIDENTIAL AND ALL RIGHTS, PATENT AND OTHERWISE, ARE RESERVED BY SOUTHCO, INC.	PER ASME Y14.5M-2009	DRAWN BY SBK	DATE 22APR2024	SCALE 1:1
				SHEET 1 OF 1