
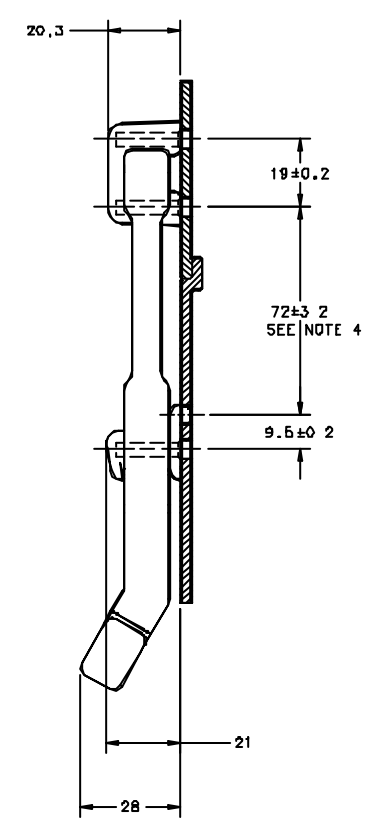
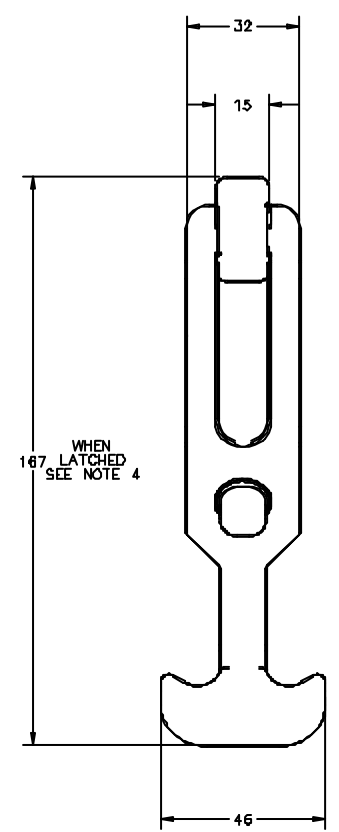
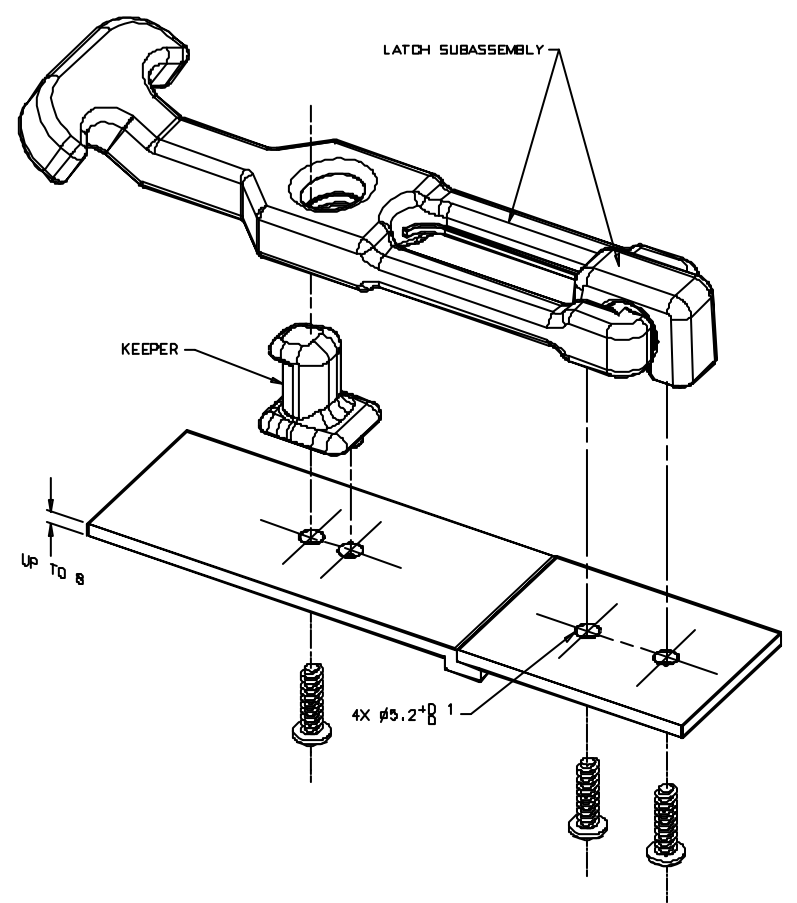


REV	DATE	DESCRIPTION	PART NUMBER
A	23J012003	RLR/CHW	FRN/P2003-09137
F7 FLEXIBLE DRAW LATCH - CONCEALED MOUNTING (THREAD FORMING)			
DATE	Z5MAR2003	A/JH	SCALE 1:1
DRAWING NUMBER J-F7-64			
MILLIMETERS			
ALL DIMENSIONS WITHOUT TOLERANCES ARE FOR REFERENCE ONLY.			
 THIRD ANGLE PROJECTION			

NOTES:

- LATCH ASSEMBLY CONSISTS OF:  
 SUB-ASSEMBLY:  
 HANDLE - TPE, BLACK  
 BRACKET - G.R. NYLON, BLACK,  
 KEEPER - G.R. NYLON, BLACK  
 SCREWS (3) - 18-8 STAINLESS, PASSIVATED
- LATCH SUB-ASSEMBLY, KEEPER, AND SCREWS SHIPPED SEPARATELY, BULK, FOR LATCHES PACKAGED ONE PER BAG, ADD -P TO PART NUMBER.
- MOUNT USING (3) THREAD FORMING No. 2 PHILLIPS RECESS SCREWS (SOUTHCO SUPPLIED) - MAX INSTALLATION TORQUE - 2 N.m
- NOTED DIMENSIONS ARE NOT TO SCALE AND REPRESENT DISTANCE WHEN FLEXIBLE DRAW LATCH HANDLE IS STRETCHED TO LATCHED POSITION OVER THE KEEPER



INSTALLED VIEWS  
 (SCALE .75:1)