

REV.	DATE	DRAWN	REVISION	ITEM	MATERIAL	COLOR
A	10JUN96	AAB	PRN: G6-02	OUTER LEAF	NYLON	
B	08JUL96	AAB	PRN: G6-03	INNER LEAF	NYLON	
C	21APR97	VP	PRN: G6-07A	COVERS	NYLON	SEE ASSEMBLY DESCRIPTION TABLE
D	05DEC97	SL	PRN: G6-08	HINGE PIN	ACETAL HOMOPOLYMER	
E	26AUG99	SWD	PRN: G6-12	HINGE PIN INSERT	ACETAL HOMOPOLYMER	
F	04MAY2016	CMS/TS	PRN: P2016-1010	SPRING	URETHANE	BLACK

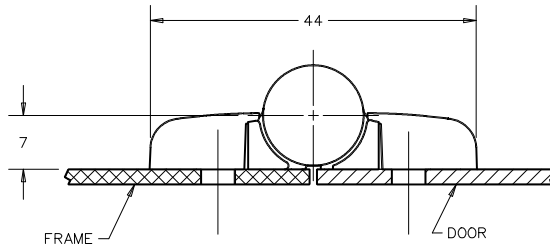
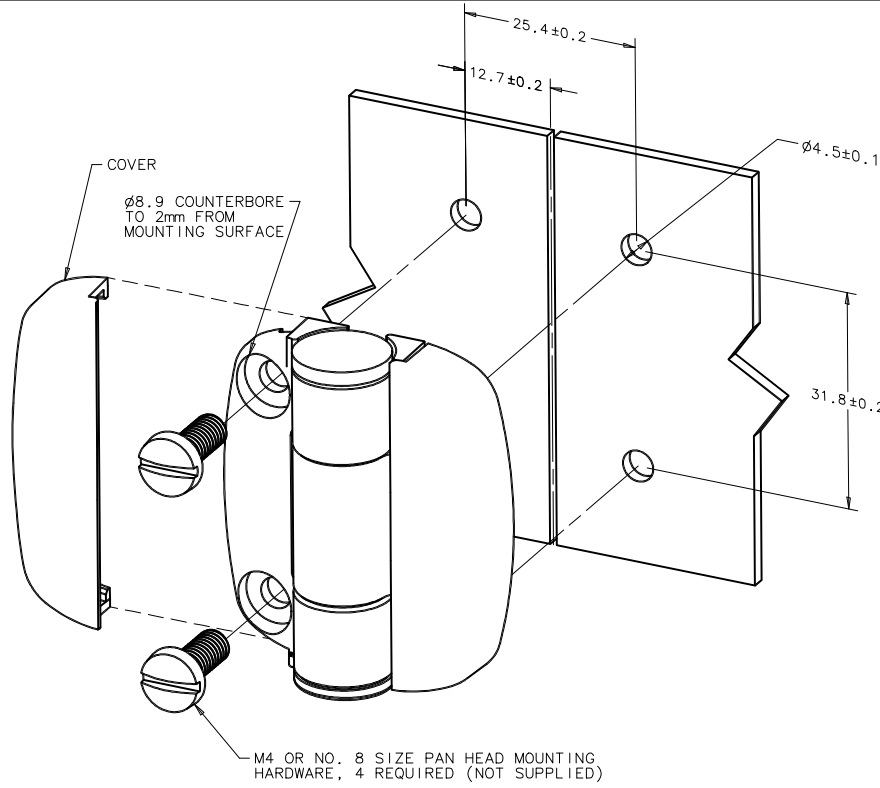
WILL METER DIMENSIONS
DIMENSIONS WITHOUT
TOLERANCES ARE FOR
REFERENCE ONLY.

A3
PAPER
SIZE

THIRD ANGLE PROJECTION

INSTALLATION INSTRUCTIONS

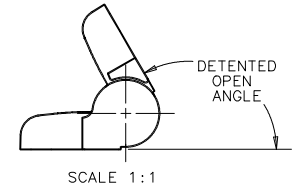
1. PREPARE INSTALLATION HOLES AS SHOWN.
2. MOUNT HINGE SUB-ASSEMBLY WITH APPROPRIATE FASTENING HARDWARE. MAXIMUM RECOMMENDED TIGHTENING TORQUE = 225 N.cm (20 in.lbs).
3. SNAP COVERS IN PLACE TO HIDE MOUNTING HARDWARE.



ASSEMBLY DESCRIPTION

ASSEMBLY PART NUMBER	DETENTED OPEN ANGLE	COLOR
G6-5-1	120°	BLACK
G6-0-1	FREE-SWINGING	BLACK
G6-0-3	FREE-SWINGING	WHITE
G6-5-3	120°	WHITE

DRAWING NUMBER
J-G6-1



NOTES:

- A: DETENT HINGE ALSO HAS DETENTED OPEN ANGLE AT 170°, AND BIASES THE DOOR CLOSED AGAINST A FRAME.
- B: HINGE ASSEMBLY PART NUMBERS SHOWN CONSIST OF ONE HINGE SUBASSEMBLY AND TWO COVERS, SHIPPED SEPARATELY, BULK.
- C: FOR ONE HINGE SUB-ASSEMBLY AND TWO COVERS PACKAGED IN A POLY BAG, ADD -2 TO THE PART NUMBERS SHOWN ABOVE (EX. G6-5-1-2).
- D: HINGE SUB-ASSEMBLIES AND COVERS ARE DESIGNED TO ACCOMMODATE M4 OR NO. 8 SIZE PAN HEAD MOUNTING HARDWARE (NOT SUPPLIED).

