

PROPRIETARY ITEM - EXCEPT FOR USE EXPRESSLY GRANTED IN WRITING INFORMATION DISCLOSED HEREON IS CONFIDENTIAL AND ALL RIGHTS PATENT AND OTHERWISE ARE RESERVED BY SOUTHCO, INC.

REV	DATE	DRAWN/CHKD	DESCRIPTION	RELEASED FOR PRODUCTION
A	03NOV2008	IR/DLH	IR/ACH	PRN: P2008-1345
B	25NOV2008	IR/ACH	IR/ACH	PRN: P2009-0162
C	04 FEB 09	IR/ACH	MJS/MSR	PRN: P2018-0413
D	25FEB2016	MJS/MSR	PRN: P2018-0961	
E	12APR2016	MJS/MSR	PRN: P2017-3153	
F	22DEC2017	CMS/INBK	PRN: P2018-2334	
G	06OCT2018	CMS/CDW	PRN: P2018-2334	

DESCRIPTION	MATERIAL	FINISH/COLOR	DESCRIPTION	FINISH/COLOR
HANDLE	ZAMAC 3	BLACK POWDERCOAT	HANDLE COVER	STEEL
HOUSING		NATURAL	DUMMY CAM	STAINLESS
TOOL ACTUATOR		CHROME PLATE	MTC BRACKETS	
SHAFT		NATURAL/BLACK	M4X0.7 SCREWS	
ROTATION LIMITER			CAM SCREW	
LOCKING LIMITER			HANDLE PIN	
LOCKING PLUG			PANEL SPRING	
DIN LOCK ASSY			WAVE WASHER	
HANDLE BUMPER	SANTOPRENE		RETAINER	
SHAFT O-RING	BUNA-N			

DRAWING NUMBER	SCALE	DATE	MATERIAL
J-H3-50-301-0	1:1	15 MAY 08	STEEL

DRAWING NUMBER	SCALE	DATE	MATERIAL
J-H3-50-301-0	1:1	15 MAY 08	STEEL

PART NUMBER: H3-50-A LL CCC -0 FF

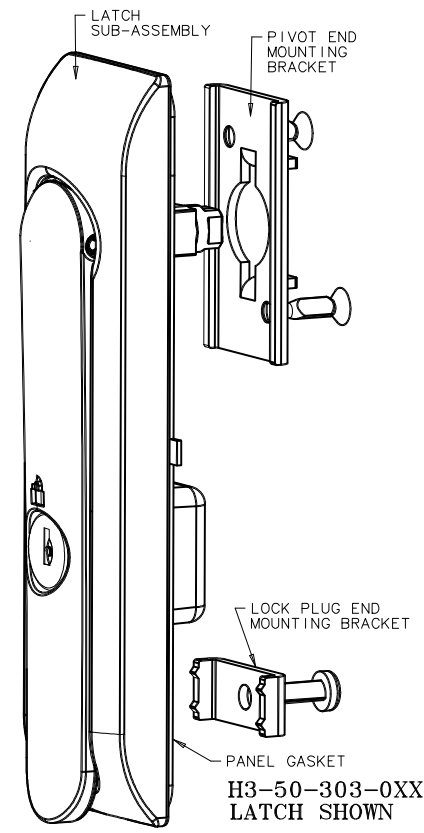
FOR RS AND LS KEY CODES ONLY

- PADLOCK/SERIES:
- 1, 2 = COVERED IN J-H3-50-101-0 OR J-H3-50-101-1
  - 3 = NO PADLOCK, ACTUATOR
  - 4 = PADLOCK, ACTUATOR
- LOCKING OPTIONS:
- 00 = NO LOCK PROVIDED (DIN ONLY)
  - 01 = CH751
  - 02 = 300
  - 03 = 333
  - 04 = NON LOCKING
  - 10 = RS CODES
  - 11 = LS CODES
  - 20 = NON LOCKING DIN WITH DETENT
  - 21 = DIN CH751
  - 22 = DIN 300
  - 23 = DIN 333
  - 24 = DIN, W/O LOCK PLUG
  - 40 = TOOL, 3mm DOUBLE BIT
  - 41 = TOOL, 5mm DOUBLE BIT
  - 42 = TOOL, TELCORDIA 216 (BELLCORE)
  - 43 = TOOL, ELECTRONICS KEY
  - 45 = TOOL, 8mm HEX RECESS
  - 47 = TOOL, 8mm TRIANGLE
  - 70 = DIN TOOL, 3mm DOUBLE BIT
  - 71 = DIN TOOL, 5mm DOUBLE BIT
  - 72 = DIN TOOL, TELCORDIA 216
  - 73 = DIN TOOL, ELECTRONICS KEY
  - 77 = DIN TOOL, 8mm TRIANGLE
- ASSEMBLY FINISH:
- 44 - SATIN CHROME
  - 50 - BLACK POWDER COAT
- OTHERS AVAILABLE UPON REQUEST

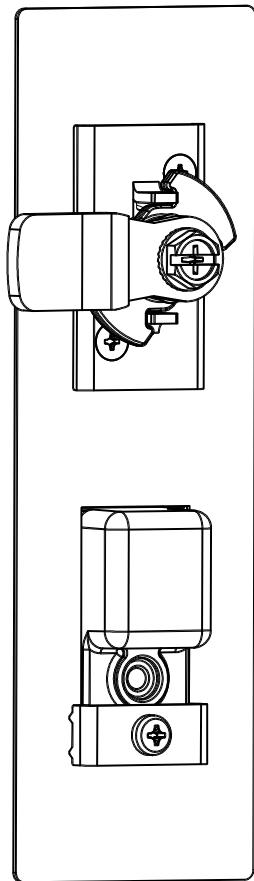
**GRIP TABLE**  
CAM  
PART No. E5-61YY

YY	GRIP	YY	GRIP
07	10.3	15	26.3
08	12.3	16	28.3
09	14.3	17	30.3
10	16.3	18	32.3
11	18.3	19	34.3
12	20.3	20	36.3
13	22.3	21	38.3
14	24.3	22	40.3

SEE J-E5-61-A (FLAT CAM)  
SEE J-E5-71 (ROLLER CAM)

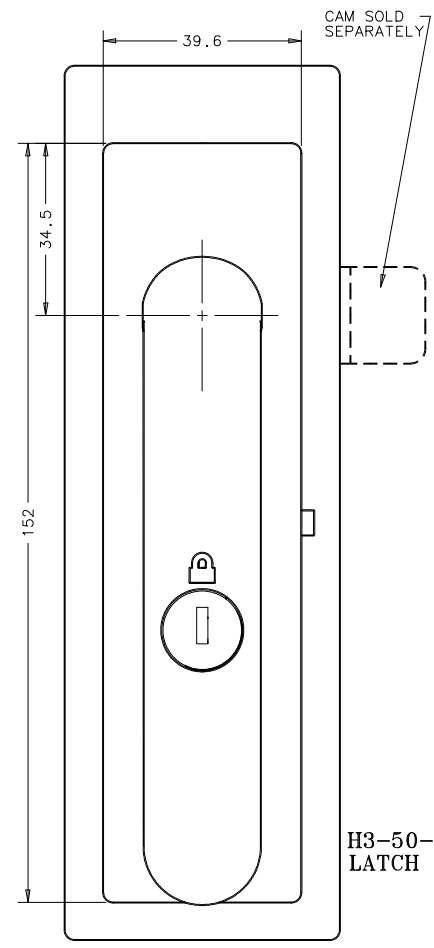


H3-50-303-0XX LATCH SHOWN



H3-50-303-0XX SHOWN AS A SINGLE POINT LATCH

SEE SHEET 2 FOR VIEWS OF DIN AND TOOL ACCESS VERSIONS



H3-50-303-0XX LATCH SHOWN

