

southco

PROPRIETARY ITEM - EXCEPT FOR USES EXPRESSLY GRANTED IN WRITING INFORMATION IS UNCLASSIFIED HEREON IS CONFIDENTIAL AND ALL RIGHTS RESERVED AND OTHERWISE ARE RESERVED BY SOUTHCO, INC.

REV	DATE	DESCRIPTION	REASON FOR CHANGE	REV	DATE	DESCRIPTION	REASON FOR CHANGE
A	03NOV2008	IR/DLH	RELEASED FOR PRODUCTION	IR	ACH	DMS	SCALE
B	09 DEC 08	IR/ACH	PRN: 2008-1345	IR	ACH	DMS	SCALE
C	04 FEB 09	IR/ACH	PRN: 2009-0162	IR	ACH	DMS	SCALE
D	22AUG2011	MJS/MSR	PRN: P2011-1873	IR	ACH	DMS	SCALE
E	22SEP2014	CMS/BGL	PRN: P2014-1872	IR	ACH	DMS	SCALE
F	08OCT2018	CMS/CDW	PRN: P2018-2534	IR	ACH	DMS	SCALE
G	15JUL2021	CMS/DMS	PRN: P2021-1399	IR	ACH	DMS	SCALE

SWINGHANDLE LATCH, ACTUATOR, INDOOR, 25x150 SIZE

DATE: 26 JUN 08

MATERIAL: STEEL

FINISH/COLOR: ZINC PLATE

DESCRIPTION: LATCH SUB-ASSEMBLY

DRAWING NUMBER: J-H3-60-301-0

SCALE: MILLIMETERS

ALL DIMENSIONS WITHOUT TOLERANCES ARE FOR REFERENCE ONLY.

PAPER SIZE: A3

THIRD ANGLE PROJECTION

SHEET 1 OF 2

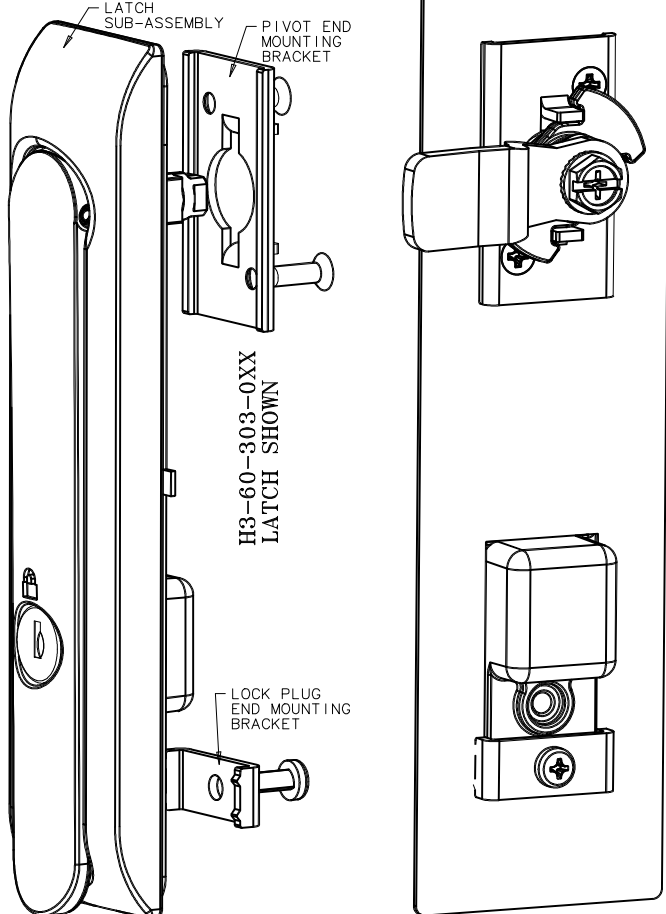
PART NUMBER: H3-60-**A** **LL**-0 **FF**

- PADLOCK/SERIES:
- 1, 2 = COVERED IN J-H3-60-101-0 OR J-H3-60-101-1
 - 3 = NO PADLOCK, ACTUATOR
 - 4 = PADLOCK, ACTUATOR
- LOCKING OPTIONS:
- 00 = NO LOCK PROVIDED (DIN ONLY)
 - 01 = CH751
 - 02 = 300
 - 03 = 333
 - 04 = NON LOCKING
 - 05 = HL450
 - 20 = NON LOCKING DIN WITH DETENT
 - 21 = DIN CH751
 - 22 = DIN 300
 - 23 = DIN 333
 - 24 = DIN W/O LOCK PLUG
 - 40 = TOOL, 3mm DOUBLE BIT
 - 41 = TOOL, 5mm DOUBLE BIT
 - 42 = TOOL, TELCORDIA 216 (BELLCOORE)
 - 43 = TOOL, ELECTRONICS KEY
 - 47 = TOOL, 8mm TRIANGLE
 - 70 = DIN TOOL, 3mm DOUBLE BIT
 - 71 = DIN TOOL, 5mm DOUBLE BIT
 - 72 = DIN TOOL, TELCORDIA 216
 - 73 = DIN TOOL, ELECTRONICS KEY
 - 77 = DIN TOOL, 8mm TRIANGLE
- ASSEMBLY FINISH:
- 44 = SATIN CHROME
 - 50 = BLACK POWDER COAT
- OTHERS AVAILABLE UPON REQUEST

GRIP TABLE
CAM
PART No. E5-61YY-77

YY	GRIP	YY	GRIP
09	14.3	16	28.3
10	16.3	17	30.3
11	18.3	18	32.3
12	20.3	19	34.3
13	22.3	20	36.3
14	24.3	21	38.3
15	26.3	22	40.3

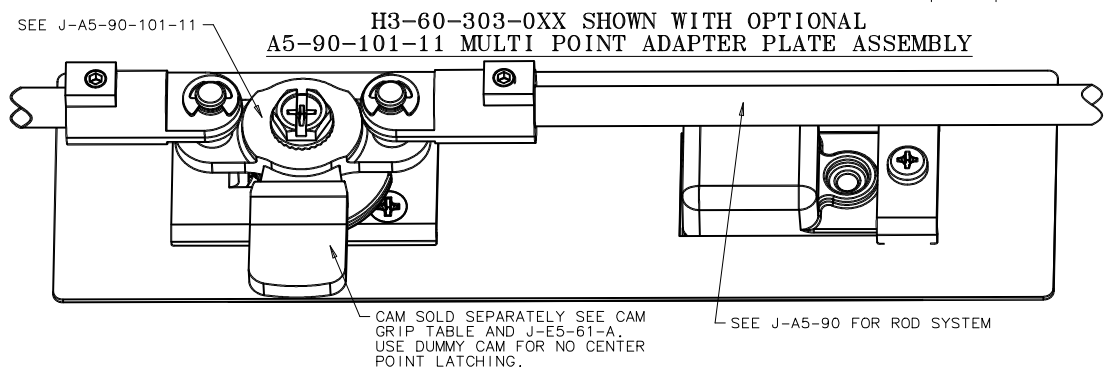
YY-07-10, SEE J-E5-61-B (FLAT CAM)
YY-11-22, SEE J-E5-61-A (FLAT CAM)
YY-09-22, SEE J-E5-71 (ROLLER CAM)



H3-60-303-0XX LATCH SHOWN

H3-60-303-0XX SHOWN AS A SINGLE POINT LATCH

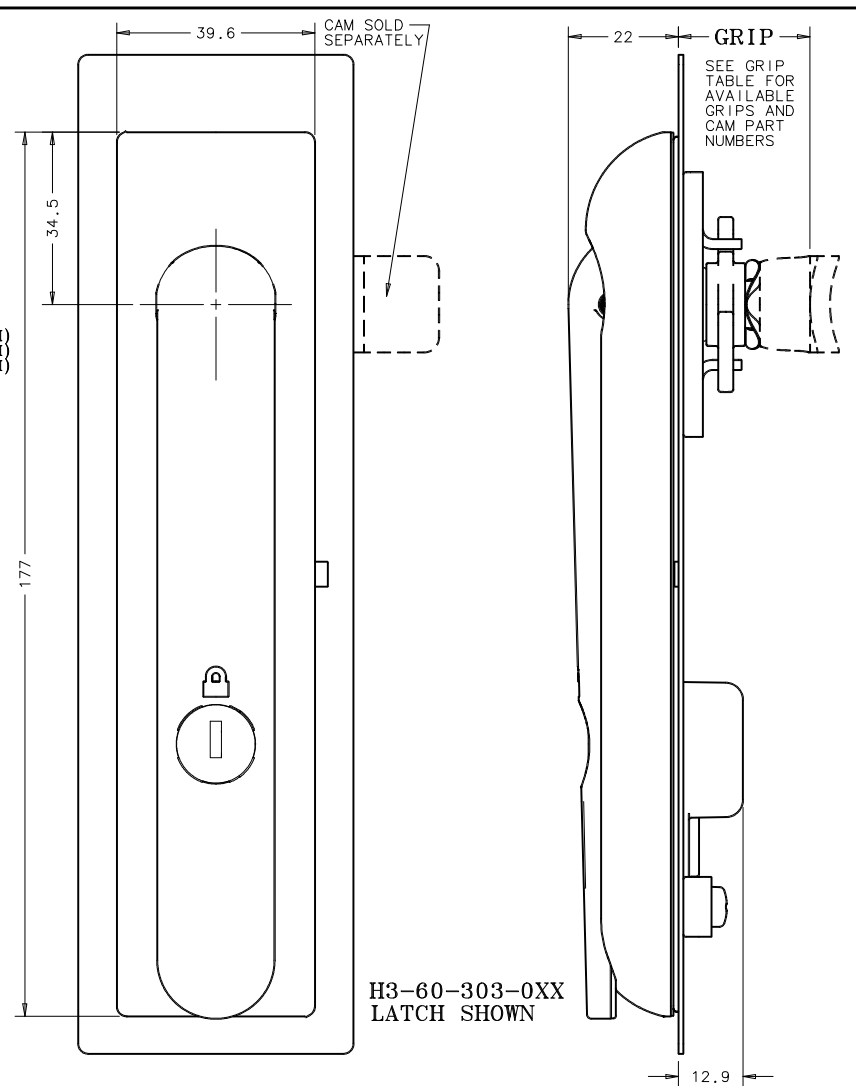
SEE SHEET 2 FOR VIEWS OF DIN AND TOOL ACCESS VERSIONS



H3-60-303-0XX SHOWN WITH OPTIONAL A5-90-101-11 MULTI POINT ADAPTER PLATE ASSEMBLY

CAM SOLD SEPARATELY SEE CAM GRIP TABLE AND J-E5-61-A. USE DUMMY CAM FOR NO CENTER POINT LATCHING.

SEE J-A5-90 FOR ROD SYSTEM



H3-60-303-0XX LATCH SHOWN

SEE GRIP TABLE FOR AVAILABLE GRIPS AND CAM PART NUMBERS

southco
 PROPRIETARY ITEM - EXCEPT FOR USES EXPRESSLY GRANTED IN WRITING INFORMATION IS UNCLASSIFIED HEREON IS CONFIDENTIAL AND ALL RIGHTS RESERVED AND OTHERWISE ARE RESERVED BY SOUTHCO, INC.

REV	DATE	DESCRIPTION	DATE	SCALE	DRAWING NUMBER
A	03NOV2008	IR/DLH RELEASED FOR PRODUCTION	26 JUN 08	1:1	J-H3-60-301-0
B	09 DEC 08	IR/ACH PRN: 2008-1345			
C	04 FEB 09	IR/ACH PRN: 2009-0162			
D	22AUG2011	MJS/MSR PRN: P2011-1073			
E	23SEP2014	CMS/BGL PRN: P2014-1872			
F	08OCT2018	CMS/ODM PRN: P2018-2534			
G	15JUL2021	CMS/DMS PRN: P2021-1399			

DRAWING NUMBER
 J-H3-60-301-0
 MILLIMETERS
 ALL DIMENSIONS WITHOUT TOLERANCES ARE FOR REFERENCE ONLY.
 A3 PAPER SIZE
 THIRD ANGLE PROJECTION
 SHEET 2 OF 2

FINISH/COLOR	DESCRIPTION	MATERIAL
BLACK POWDERCOAT	DISC COVER	STEEL
NATURAL	DUMMY CAM	STAINLESS
CHROME PLATE	M4x0.7 SCREWS	
NATURAL/BLACK	HANDLE PIN	
	WAVE WASHER	
	PADLOCK HASP	
	RETAINER	

FINISH/COLOR	DESCRIPTION	MATERIAL
ZINC PLATE	ZINC SPRING	STEEL
PASSIVATED	PANEL	STAINLESS

DESCRIPTION	MATERIAL
HANDLE	ZAMAC 3
HOUSING	
TOOL ACTUATOR	
SHAFT	
ROTATION LIMITER	
LOCKING PANEL	
LOCK PLUG	
DIN LOCK ASSY	
PANEL CASKET	SANTOPRENE
HANDLE BUMPER	BUNA-N
SHAFT O-RING	

DATE	SCALE	DRAWING NUMBER
26 JUN 08	1:1	J-H3-60-301-0

DATE	SCALE	DRAWING NUMBER
26 JUN 08	1:1	J-H3-60-301-0

DATE	SCALE	DRAWING NUMBER
26 JUN 08	1:1	J-H3-60-301-0

DATE	SCALE	DRAWING NUMBER
26 JUN 08	1:1	J-H3-60-301-0

DATE	SCALE	DRAWING NUMBER
26 JUN 08	1:1	J-H3-60-301-0

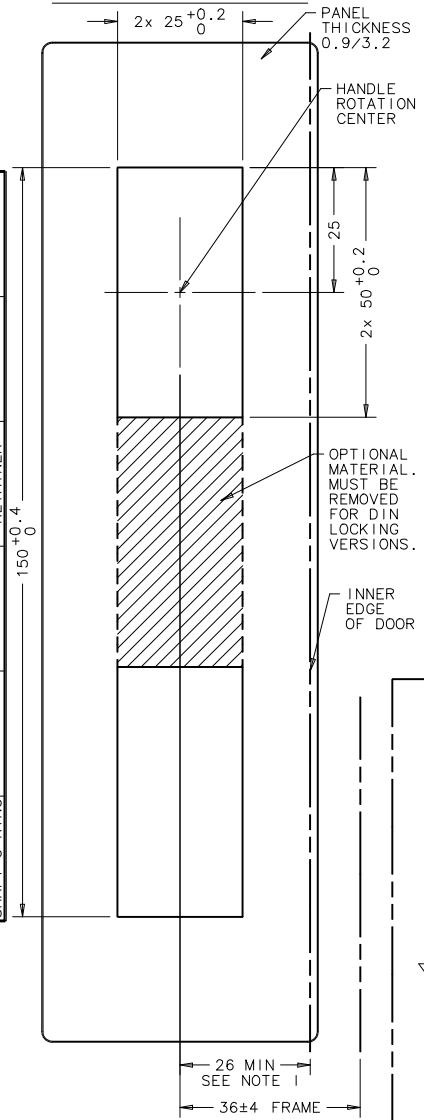
DATE	SCALE	DRAWING NUMBER
26 JUN 08	1:1	J-H3-60-301-0

DATE	SCALE	DRAWING NUMBER
26 JUN 08	1:1	J-H3-60-301-0

DATE	SCALE	DRAWING NUMBER
26 JUN 08	1:1	J-H3-60-301-0

DATE	SCALE	DRAWING NUMBER
26 JUN 08	1:1	J-H3-60-301-0

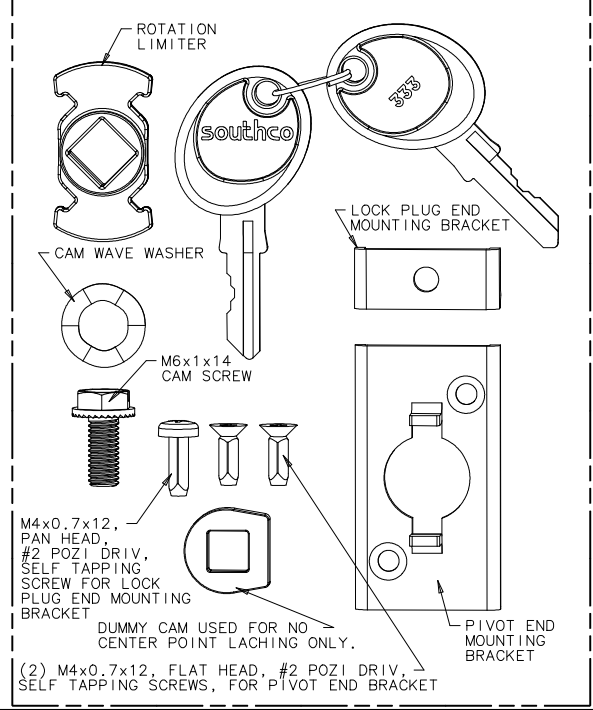
PANEL PREPARATION



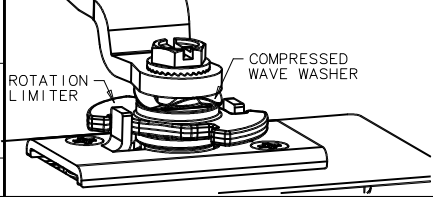
NOTES:

- ALL LATCH COMPONENTS ARE RoHS COMPLIANT.
- LATCH INSTALLATION:
 - PREPARE A BURR FREE PANEL OPENING AS SHOWN.
 - INSTALL LATCH SUB-ASSEMBLY FROM THE FRONT SIDE OF THE PANEL AND HOLD IN PLACE.
 - FROM THE BACK SIDE OF THE PANEL, SLIDE THE PIVOT END MOUNTING BRACKET ONTO THE HANDLE SHAFT.
 - SECURE THE PIVOT END MOUNTING BRACKET IN PLACE WITH THE TWO FLAT HEAD M4x0.7x12 SCREWS PROVIDED. ATTACH THE LOCK PLUG END MOUNTING BRACKET TO THE HOUSING AS SHOWN AND SECURE IN PLACE WITH PAN HEAD M4x0.7x12 SCREW. MAX MOUNTING BRACKET SCREW TORQUE 1.5 N-m.
 - PLACE THE ROTATION LIMITER ONTO THE HANDLE SHAFT. THE ROTATION LIMITER ALSO SETS THE ROTATION ACTUATION DIRECTION OF THE LATCH. TO FLIP ACTUATION DIRECTION, SIMPLY REMOVE THE ROTATION LIMITER FROM THE SHAFT, ROTATE IT 90°, AND PLACE BACK ONTO SHAFT.
 - PLACE SHAFT WAVE WASHER ONTO HANDLE SHAFT AGAINST THE TOP OF THE ROTATION LIMITER, FOLLOWED BY THE CAM, THEN THE ACTUATOR PLATE ASSEMBLY IF USED. SECURE EVERYTHING TO THE SHAFT USING M6x1x14 SCREW. MAX SCREW TORQUE 2.0 N-m.
 - CYCLE THE LATCH FROM OPEN TO CLOSE TO MAKE SURE EVERYTHING MOVES FREELY.
 - FOR TWO POINT LATCHING (NO CENTER LATCHING), A "DUMMY CAM" MUST BE USED TO MAINTAIN PROPER ASSEMBLY SPACING.
 - IF USED WITH SOUTHCO A5-90-101-11 ADAPTER PLATE ASSEMBLY.
- COSMETIC SPECIFICATION: ALL POWDERCOATED OR CHROME PLATED SURFACES, UNLESS OTHERWISE NOTED, ARE TO CONFORM TO A CLASS "B" DESIGNATION. ALL OTHER SURFACES, UNLESS OTHERWISE NOTED, ARE TO CONFORM TO A CLASS "C" DESIGNATION AS DESCRIBED IN SOUTHCO COSMETIC SPECIFICATIONS:
 - S-121-02 FOR CHROME PLATING
 - S-121-02 FOR ZINC PLATING
 - S-121-03 FOR POWDER COATING
 - S-121-05 FOR STAINLESS STEEL PARTS

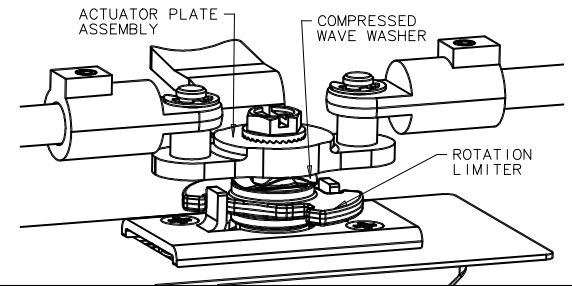
HARDWARE PACK



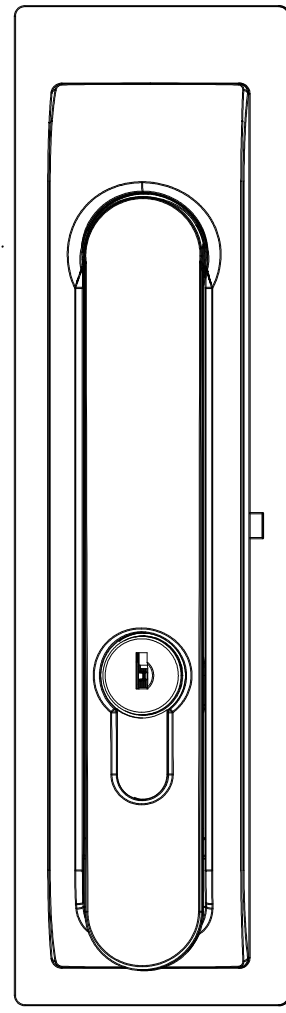
PROPER CAM & LIMITER INSTALLATION FOR ROTATING HANDLE CCW TO OPEN



PROPER CAM, A5 ACTUATOR PLATE, & LIMITER INSTALLATION FOR ROTATING HANDLE CCW TO OPEN



**H3-60-323-OXX
 333 DIN**



**H3-60-342-OXX
 BELLCORE/TELCORDIA 216**

