

southco®

PROPRIETARY ITEM - EXCEPT FOR USES EXPRESSLY GRANTED IN WRITING INFORMATION DISCLOSED HEREON IS CONFIDENTIAL AND ALL RIGHTS PATENT AND OTHERWISE ARE RESERVED BY SOUTHCO, INC.

#3 LINK LOCK RIVETED - SHORT ANCHOR PLATE

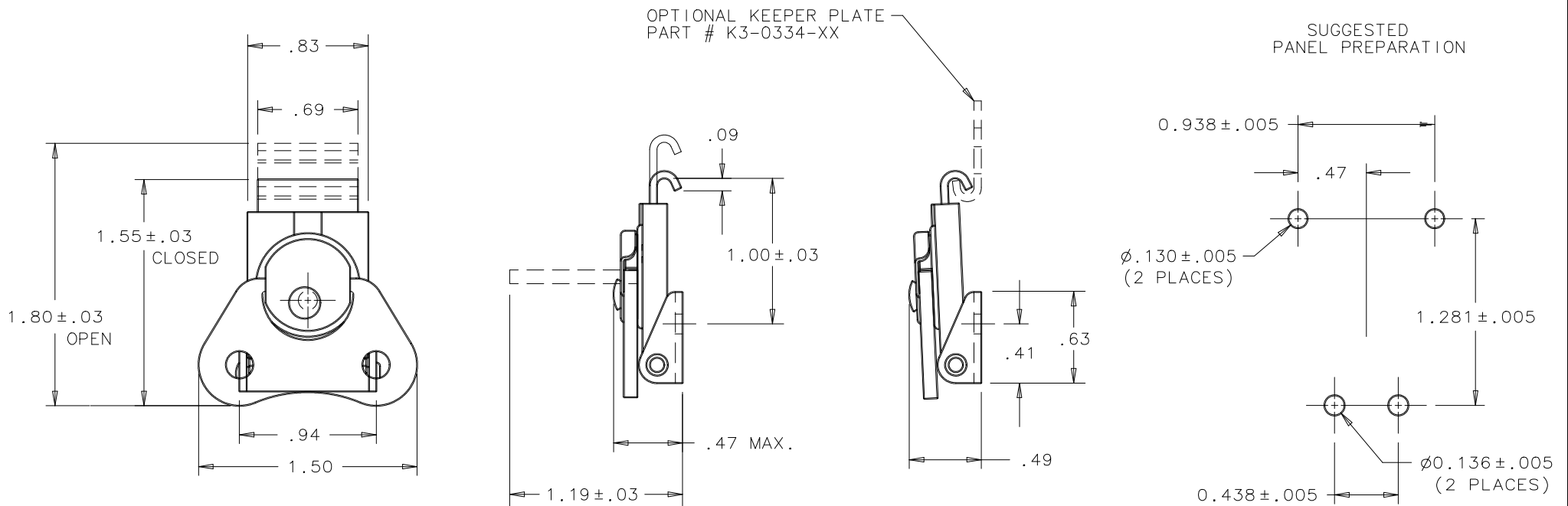
DATE	DRAWN	CHKD	SCALE	DRAWING NUMBER
07JUN92	PEK		1 : 1	J-K3-1660

REV.	DATE	DRAWN	REVISION	PART NUMBER	MATERIAL	FINISH
A	13NOV95	PCB	PRN: K3-89	K3-1660-07	SEE NOTE "A"	SEE NOTE "B"
B	7SEP2000	JRT	PRN: K3-305	K3-1660-09	SEE NOTE "A"	SEE NOTE "C"
C	24JAN2011	CMS/JCK	PRN: P2011-0682	K3-1660-52	STAINLESS STEEL	NATURAL
D	13MAR2012	CMS/BGL	PRN: P2012-0339	K3-1660-82	SEE NOTE "A"	SEE NOTE "D"
				K3-1660-63	STAINLESS STEEL	SEE NOTE "E"

INCH DIMENSIONS
DIMENSIONS WITHOUT TOLERANCES ARE FOR REFERENCE ONLY.

THIRD ANGLE PROJECTION

A4
PAPER
SIZE



- NOTE "A" MATERIAL:
 ANCHOR PLATE, HOUSING, WING, UPPER CAM, LOWER CAM,
 AND ANCHOR PLATE RIVET ARE CARBON STEEL;
 SLIDE IS HARDENED ALLOY STEEL;
 CAP AND CAM RIVET ARE STAINLESS STEEL
- NOTE "B" - ZINC PLATE, BRIGHT CHROMATE DIP
 NOTE "C" - ZINC PLATE, BLACK CHROMATE DIP
 NOTE "D" - NICKEL PLATE PLUS ZINC, BLACK CHROMATE
 NOTE "E" - BLACK OXIDE