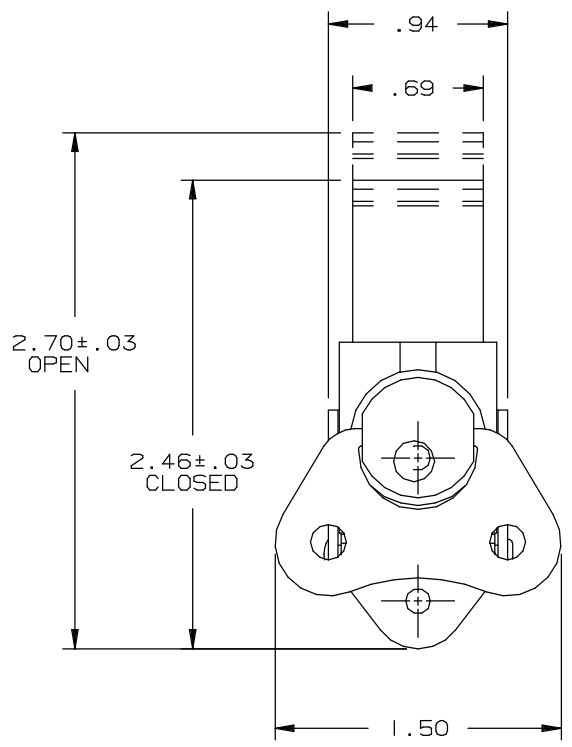


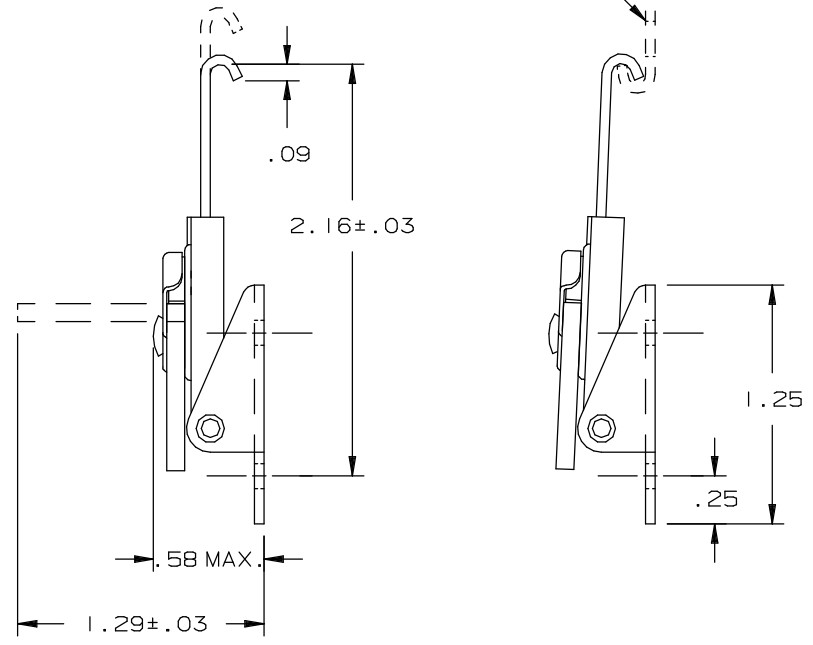
3 LINK LOCK
RIVETED - LONG SLIDE

DATE	DRAWN	CHK'D	SCALE	DRAWING NUMBER
7 JUN 92	PEK		1:1	J-K3-2347-07

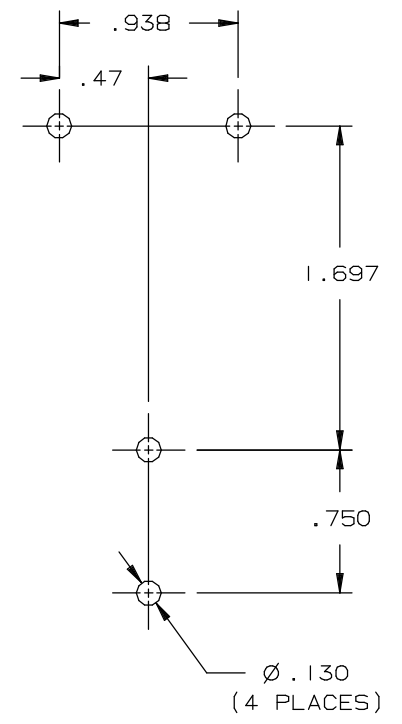
REV.	DATE	BY/CHK'D	REVISIONS



OPTIONAL KEEPER PLATE.
PART # K3-0334-07



SUGGESTED
PANEL PREPARATION



MATERIAL & FINISH:
ANCHOR PLATE, HOUSING, WING, UPPER CAM, LOWER CAM, AND ANCHOR PLATE RIVET ARE CARBON STEEL; ZINC PLATE, BRIGHT CHROMATE DIP
SLIDE IS HARDENED ALLOY STEEL; ZINC PLATE, BRIGHT CHROMATE DIP
CAP AND CAM RIVET ARE STAINLESS STEEL