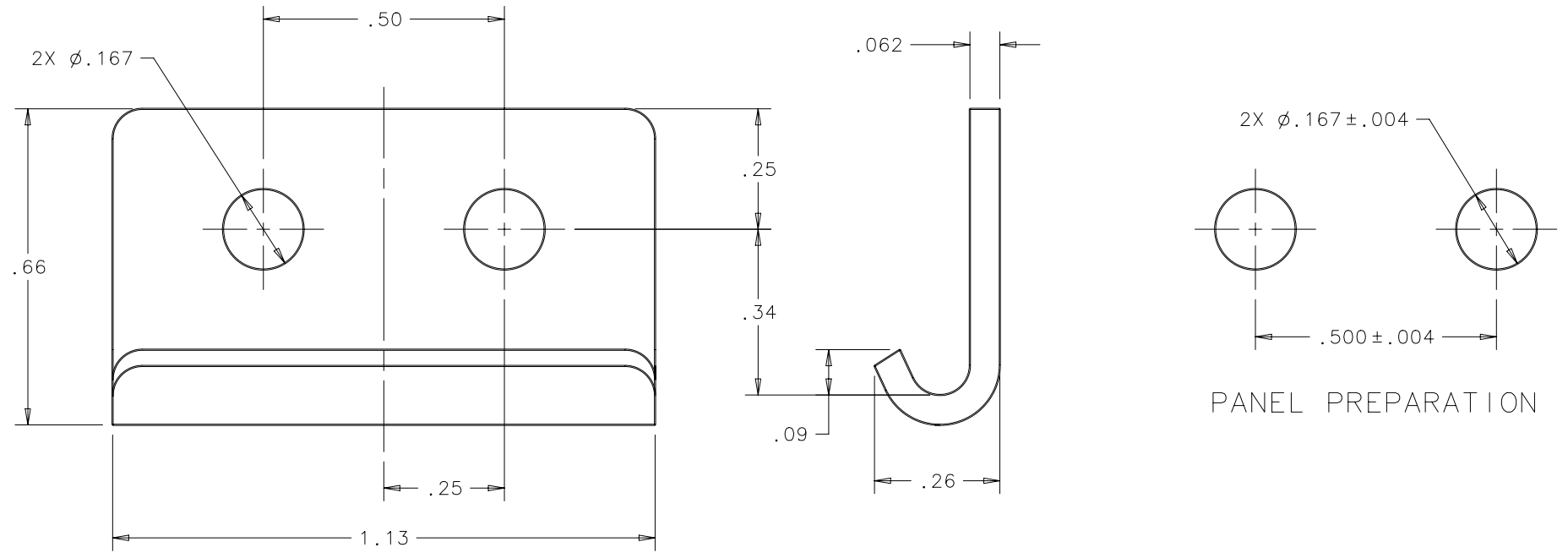


REV	DATE	DRAWN/CHKD	DESCRIPTION	PART NUMBER	MATERIAL	FINISH
F	03MAR2004	VN1/MJS	PRN: P2004-0221	K4-2338-07	SAE 1020 STEEL	ZINC PLATE, BRIGHT CHROMATE
G	20JUL2004	VN1/RLR	PRN: P2004-0783	K4-2338-12	SAE 1020 STEEL	ZINC PLATE, OLIVE DRAB CHROMATE
				K4-2338-51	304 STAINLESS STEEL	PASSIVATED
				K4-2338-52	304 STAINLESS STEEL	NATURAL
				K4-2338-63	304 STAINLESS STEEL	BLACK OXIDE
				K4-2338-77	SAE 1020 STEEL	ZINC NICKEL PLUS YELLOW CHROMATE
				K4-2338-80	SAE 1020 STEEL	ZINC ALLOY PLATE
				K4-2338-82	SAE 1020 STEEL	ZINC NICKEL PLUS BLACK CHROMATE
				K4-2338-89	SAE 1020 STEEL	BLACK E-COAT

INCHES

ALL DIMENSIONS WITHOUT TOLERANCES ARE FOR REFERENCE ONLY.



PANEL PREPARATION