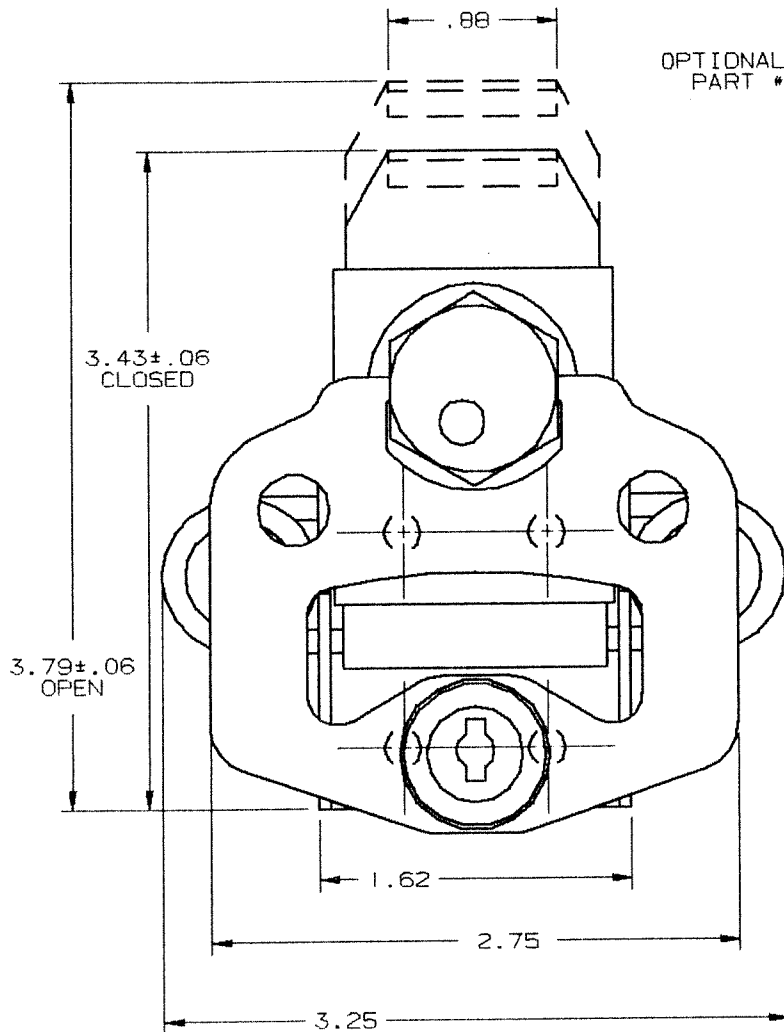




#2 LINK LOCK SPRING LOADED - KEY LOCKABLE

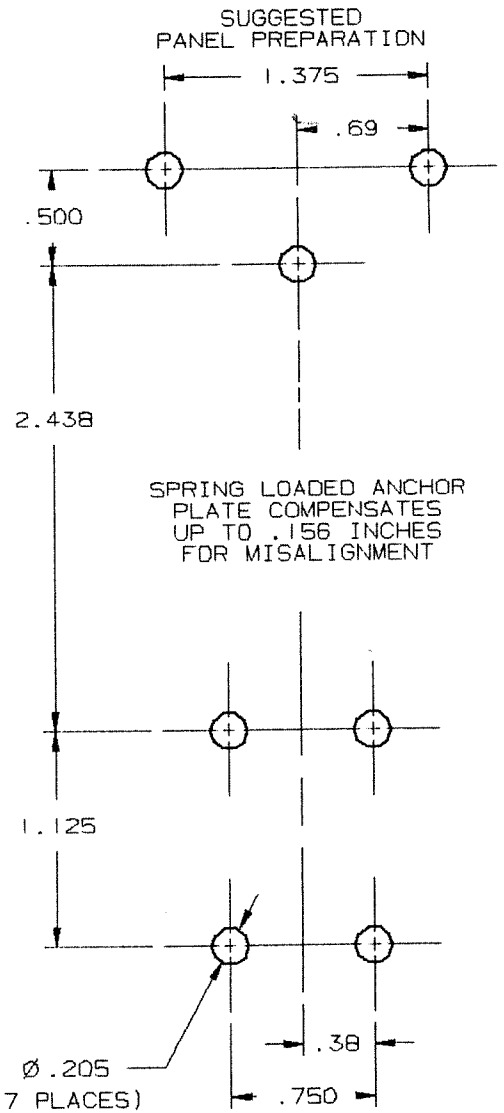
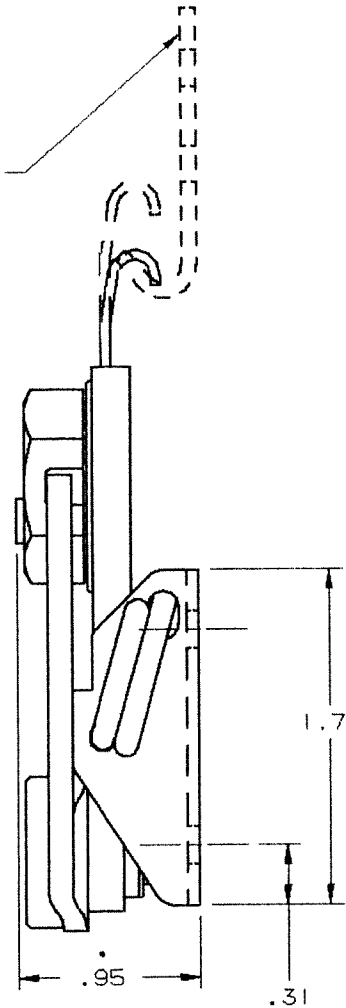
DATE	DRAWN	CHK'D	SCALE	DRAWING NUMBER
4 AUG 92	PEX		1:1	J-K5-2813-07

REV.	DATE	BY/CHK'D	REVISIONS
A	27JUL2018	DKM/DMS	PRN:P2018-1783



NOTE: TWO KEYS INCLUDED WITH EACH LATCH.

OPTIONAL KEEPER PLATE
PART # K5-2811-07



SPRING LOADED ANCHOR
PLATE COMPENSATES
UP TO .156 INCHES
FOR MISALIGNMENT

MATERIAL & FINISH:
ANCHOR PLATE, WING, LOWER CAM, AND ANCHOR PLATE RIVET ARE CARBON STEEL; ZINC PLATE, BRIGHT CHROMATE DIP
HOUSING AND SLIDE ARE HARDENED ALLOY STEEL; ZINC PLATE, BRIGHT CHROMATE DIP
UPPER CAM IS POWDER METAL; ZINC PLATE, BRIGHT CHROMATE DIP
CAP SPRING AND SPRINGS ARE STAINLESS STEEL
LOCK CYLINDER AND LOCK PLUG ARE DIE CAST ZINC; CHROME PLATE
LOCKING LEVER IS CARBON STEEL; ZINC PLATE YELLOW

PROPRIETARY ITEM - EXCEPT FOR USES EXPRESSLY GRANTED IN WRITING INFORMATION DISCLOSED HEREON IS CONFIDENTIAL AND ALL RIGHTS, PATENT AND OTHERWISE, ARE RESERVED BY SIMMONS FASTENER.

DIMENSIONS
ARE IN
INCHES

DECIMAL PLACES
2 PLACE (.XX)
3 PLACE (.XXX)

TOLERANCE
± 0.015
± 0.005

ALL
ANGLES
± 1°

DRAWING NUMBER
J-K5-2813-07