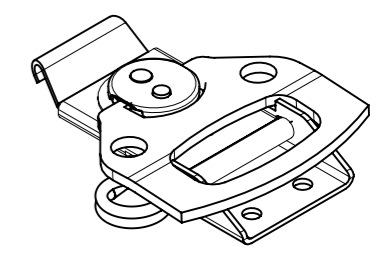
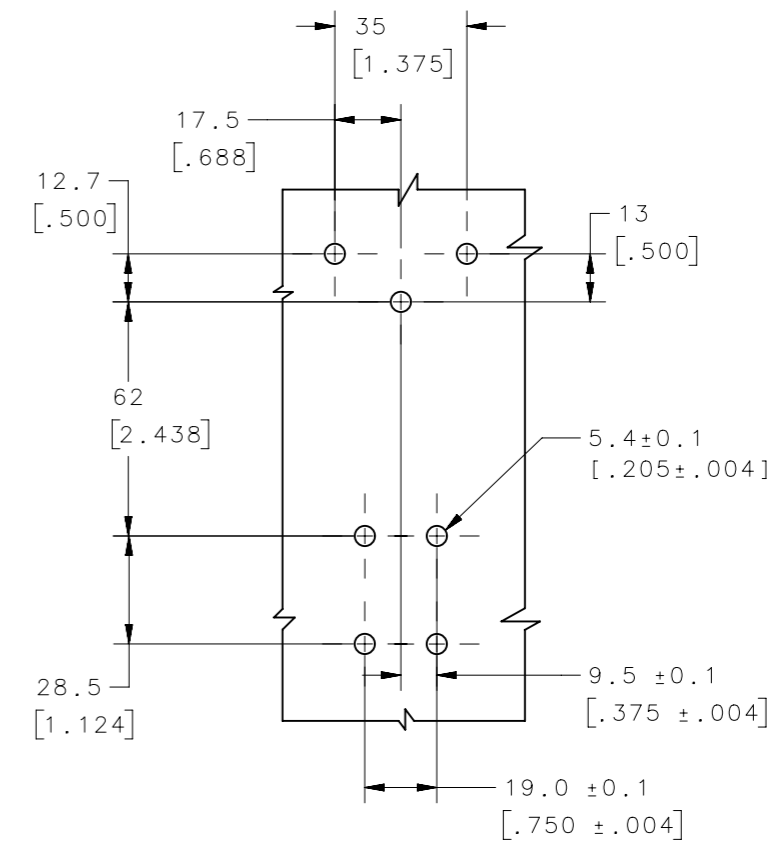
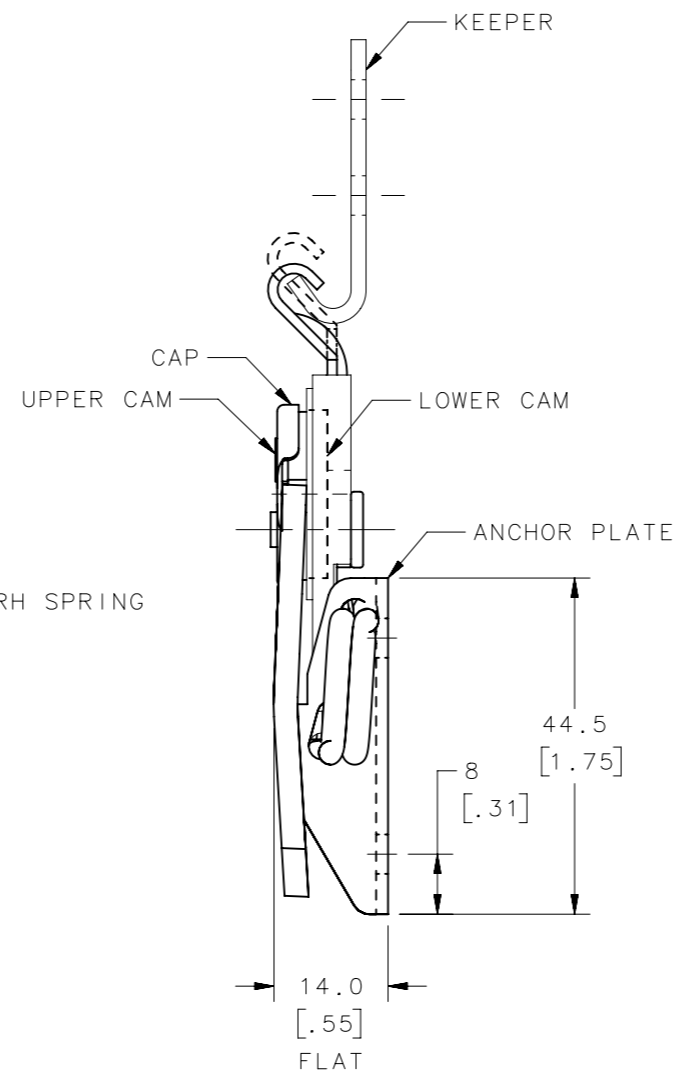
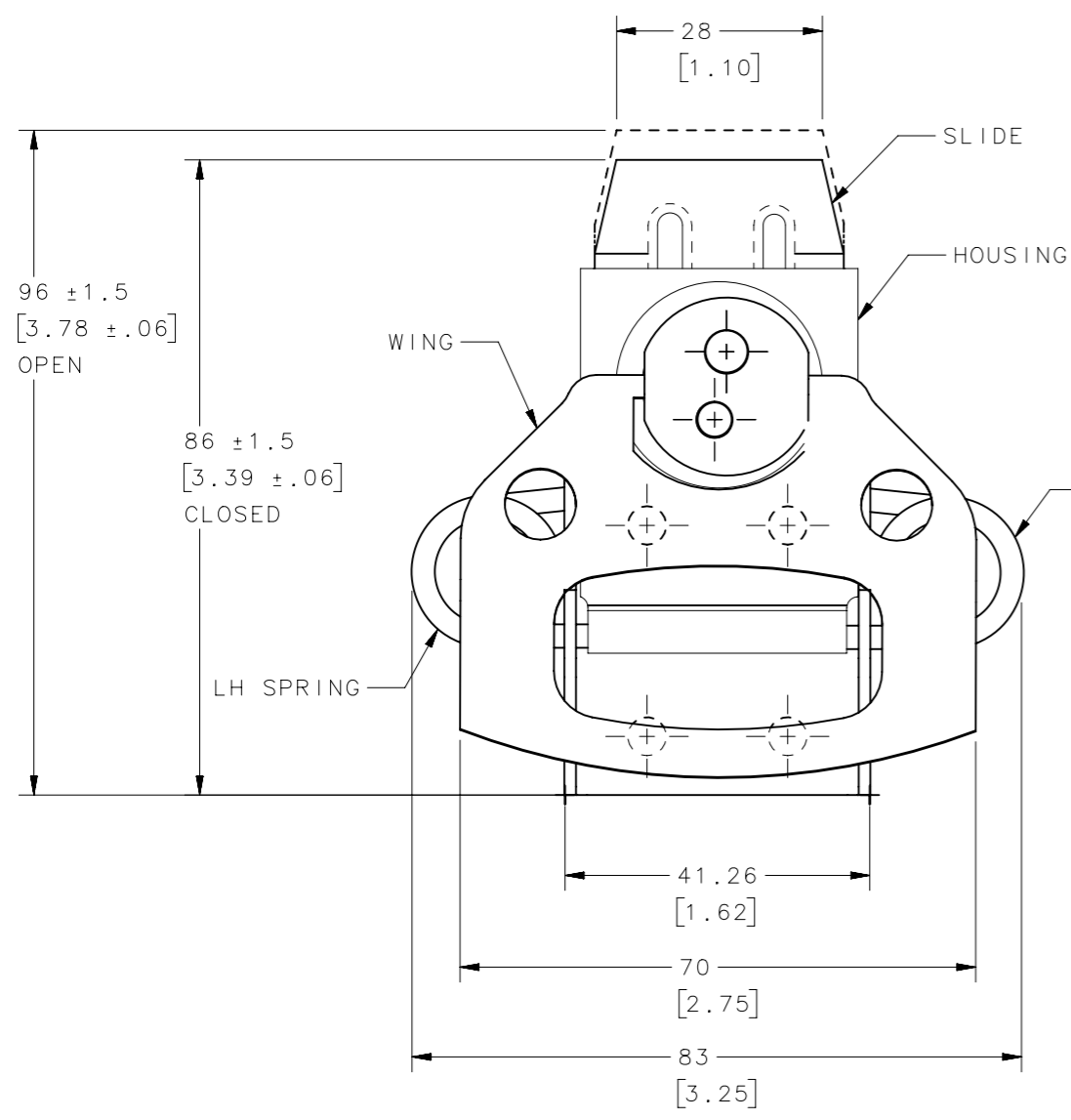


| REVISION HISTORY |           |         |                 |
|------------------|-----------|---------|-----------------|
| REV              | DATE      | BY      | DESCRIPTION     |
| A                | 16JAN2016 | DKM/YGC | PRN: P2017-0133 |



SCALE 1:2



PANEL PREPARATION  
SCALE 1:2

NOTES:  
 1. MATERIAL:  
 HOUSING, SLIDE, WING, CAM LOWER AND ANCHOR PLATE: STEEL  
 SPRING LH, SPRING RH, CAP, RIVET CAM AND CAM UPPER: STAINLESS STEEL  
 2. FINISH:  
 HOUSING, SLIDE, WING, SPRING LH AND SPRING RH: NATURAL  
 CAP, RIVET CAM AND CAM UPPER: PASSIVATION  
 CAM LOWER AND ANCHOR PLATE: ZINC PLATING.

|  |                               |   |                   |
|--|-------------------------------|---|-------------------|
| K5-2814-07   | SPRING LOADED #2-10 LINK LOCK | SEE NOTE 1  | SEE NOTE 2        |
| ASSEMBLY NUMBER  | ASSEMBLY NAME                 | MATERIAL  | FINISH            |
| THIRD ANGLE PROJECTION   |                               | <br>CONNECT • CREATE • INNOVATE                           |                   |
| MILLIMETERS [IN]   |                               |   |                   |
| TOLERANCES UNLESS OTHERWISE NOTED  |                               | DESCRIPTION<br>LOW PROFILE, SPRING LOADED #2-10 LINK LOCK |                   |
| ALL DIMENSIONS WITHOUT TOLERANCES ARE FOR REFERENCE ONLY.  |                               | SIZE<br>A3  | SYSTEM<br>NX      |
| <small>PROPRIETARY ITEM<br/>EXCEPT FOR USES EXPRESSLY GRANTED IN WRITING, INFORMATION DISCLOSED HEREON IS CONFIDENTIAL AND ALL RIGHTS, PATENT AND OTHERWISE, ARE RESERVED BY SOUTHCO, INC.</small> |                               | DWG NO.<br>J-K5-2814                                      | DATE<br>16JAN2017 |
| PER ASME Y14.5M-1994   |                               | DRAWN BY<br>DKM/YGC                                       | SCALE<br>1:1      |
|  |                               | SHEET<br>1 OF 1   |                   |