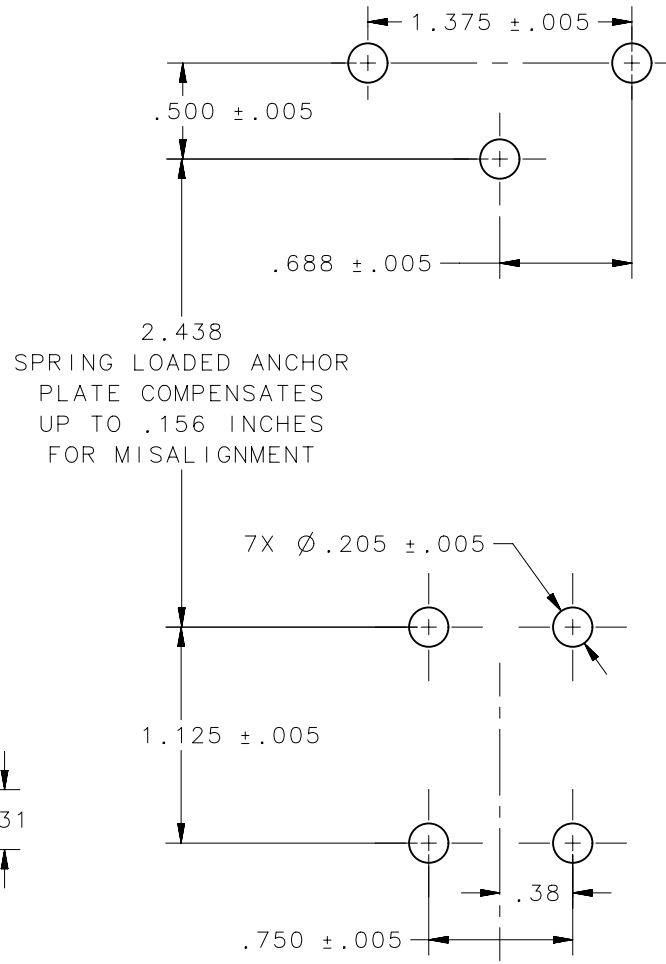
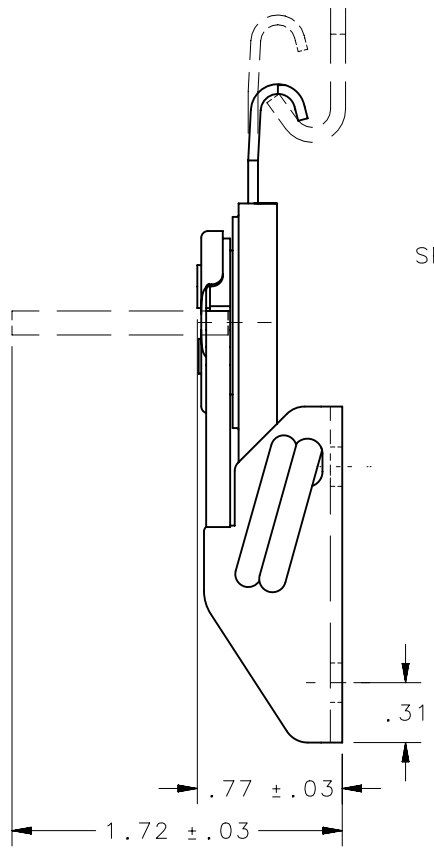
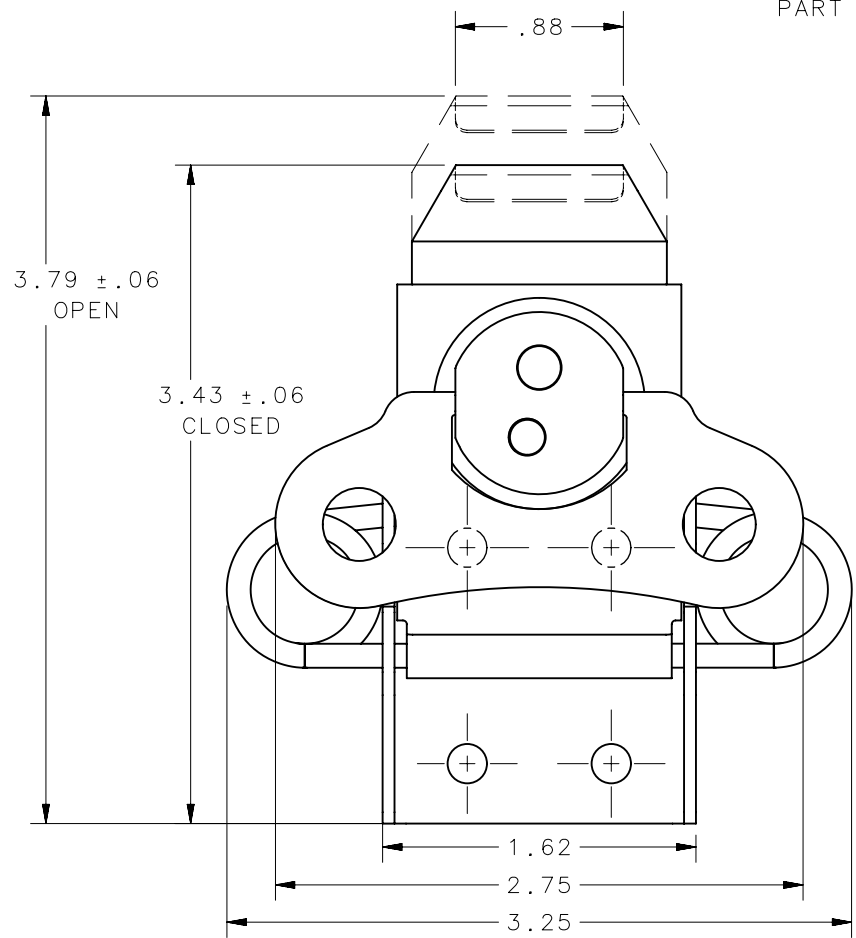


REVISION HISTORY			
REV	DATE	BY	DESCRIPTION
A	23APR2021	KSH/VK	PRN: P2021-0807

OPTIONAL KEEPER PLATE
PART NUMBER K5-2811-XX.

SUGGESTED PANEL PREPARATION



2.438
SPRING LOADED ANCHOR
PLATE COMPENSATES
UP TO .156 INCHES
FOR MISALIGNMENT

NOTES:

- MATERIAL AND FINISH
ANCHOR PLATE, WING AND LOWER CAM ARE CARBON STEEL; ZINC PLATE, BRIGHT CHROMATE DIP.
HOUSING AND SLIDE ARE HARDENED STEEL; ZINC PLATE, BRIGHT CHROMATE DIP.
CAP, CAM RIVET, UPPER CAM, AND SPRING ARE STAINLESS STEEL.

K5-2856-63	ASSEMBLY	STAINLESS STEEL	BLACK OXIDE
K5-2856-52	ASSEMBLY	STAINLESS STEEL	NATURAL
K5-2856-07	ASSEMBLY	SEE NOTE 1	SEE NOTE 1
PART NUMBER	TYPE OF COMPONENT	MATERIAL	FINISH

CPB NUMBER	STANDARD	THIRD ANGLE PROJECTION
		INCHES [MM]
		TOLERANCES UNLESS OTHERWISE NOTED
		ALL DIMENSIONS WITHOUT TOLERANCES ARE FOR REFERENCE ONLY.
		PER ASME Y14.5M-1994
<small>PROPRIETARY ITEM EXCEPT FOR USES EXPRESSLY GRANTED IN WRITING, INFORMATION DISCLOSED HEREON IS CONFIDENTIAL AND ALL RIGHTS, PATENT AND OTHERWISE, ARE RESERVED BY SOUTHCO, INC.</small>		

CONNECT • CREATE • INNOVATE

DESCRIPTION
NUMBER TWO LINK LOCK SPRING LOADED

SIZE A	SYSTEM NX	DWG NO. J-K5-2856
DRAWN BY IJO/CHW	DATE 13APR1998	SCALE 1:1
		SHEET 1 OF 1