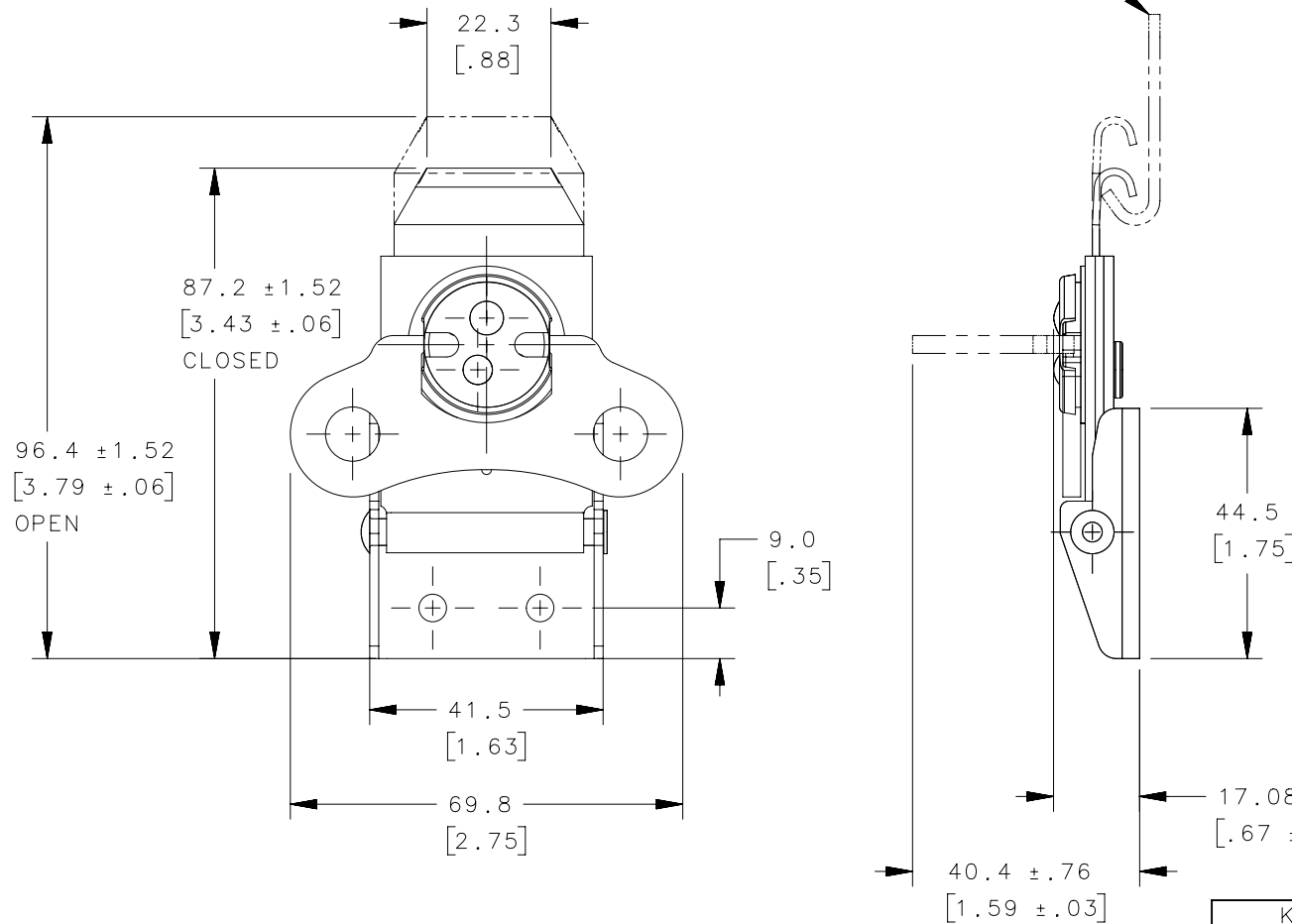
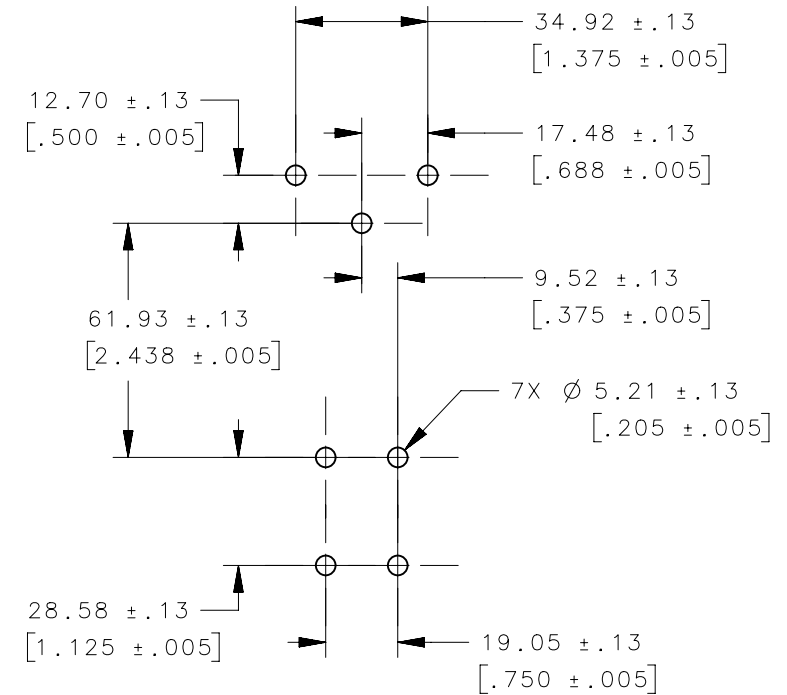


REVISION HISTORY			
REV	DATE	BY	DESCRIPTION
A	11 JAN 2012	DMS/YGC	PRN: P2012-0019

OPTIONAL KEEPER PLATE  
PART NUMBER K5-2811-XX



SUGGESTED PANEL PREPARATION



SCALE 0.5:1

K5-2857-52	STAINLESS STEEL	NATURAL
K5-2857-12	SEE NOTE A	SEE NOTE C
K5-2857-07	SEE NOTE A	SEE NOTE B
PART NUMBER	MATERIAL	FINISH

NOTE:

A. MATERIAL:

ANCHOR PLATE, WING, ANCHOR PLATE RIVET AND LOWER CAM ARE CARBON STEEL, HOUSING AND SLIDE ARE HARDENED ALLOY STEEL, CAP, CAM RIVET AND UPPER CAM ARE STAINLESS STEEL.

B. ZINC PLATE, BRIGHT CHROMATE DIP.

C. ZINC PLATE, OLIVE CHROMATE DIP.

	THIRD ANGLE PROJECTION					 CONNECT • CREATE • INNOVATE					
	MILLIMETERS [IN]										
	TOLERANCES UNLESS OTHERWISE NOTED	DESCRIPTION				#2 LINK LOCK ASSEMBLY					
	ALL DIMENSIONS WITHOUT TOLERANCES ARE FOR REFERENCE ONLY.	SIZE				RIVET ANCHOR PLATE					
	PROPRIETARY ITEM	A4		NX		DWG NO.					
	EXCEPT FOR USES EXPRESSLY GRANTED IN WRITING, INFORMATION DISCLOSED HEREON IS CONFIDENTIAL AND ALL RIGHTS, PATENT AND OTHERWISE, ARE RESERVED BY SOUTHCO, INC.	PER ASME Y14.5M-1994		DRAWN BY		DATE		SCALE		SHEET	
				SWD/CHW		25 JAN 97		0.75:1		1 OF 1	