

REVISION HISTORY			
REV	DATE	BY	DESCRIPTION
D	15DEC2017	NBK/VK	PRN: P2017-3066

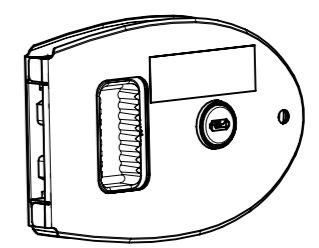
**MATERIAL AND FINISH:**

LOCK CASE: ALUMINIUM  
 ESCUTCHEONS: 316L STAINLESS STEEL  
 LOCK HOOKS: BRASS. NICKEL PLATED  
 HANDLE: PA6.GF30. BLACK  
 PRIVACY KNOB: PA6.6GF. BLACK  
 LOCK CYLINDER: PA12GF. BRASS.POM  
 SPRINGS: 304 STAINLESS STEEL  
 SCREWS: 316 STAINLESS STEEL  
 KNURL: BRASS. NICKEL PLATED  
 SPRING BLADE: 316 STAINLESS STEEL  
 HANDLE GASKET: DRAYFLEX. BLACK.  
 LOCK CYLINDER COVER: THERMOPLASTIC ELASTOMER.BLACK.

**NOTES:**

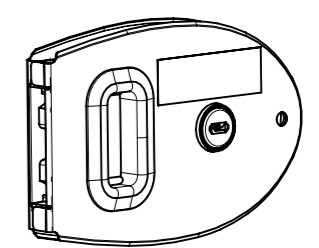
1. DOOR THICKNESS "C" 12.7MM [1/2"]
2. FOR PANEL PREPARATION INSTRUCTIONS SEE ON SHEET 2
3. SEE SOUTHCO MARINE HANDBOOK FOR MORE DETAILED INSTALLATION INSTRUCTIONS
4. VISIBLE RED DOT ON PRIVACY SLIDE INDICATES LATCH IS UNLOCKED
5. SEE H-MF-R2284 FOR KEYCODES.

**OVAL FLUSH STANDARD**  
 [MF-01-310-24]



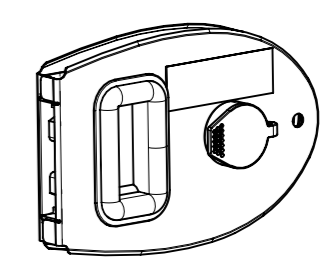
SCALE 3:10

**OVAL FLUSH WEATHER PROOF**  
 [MF-02-310-24]

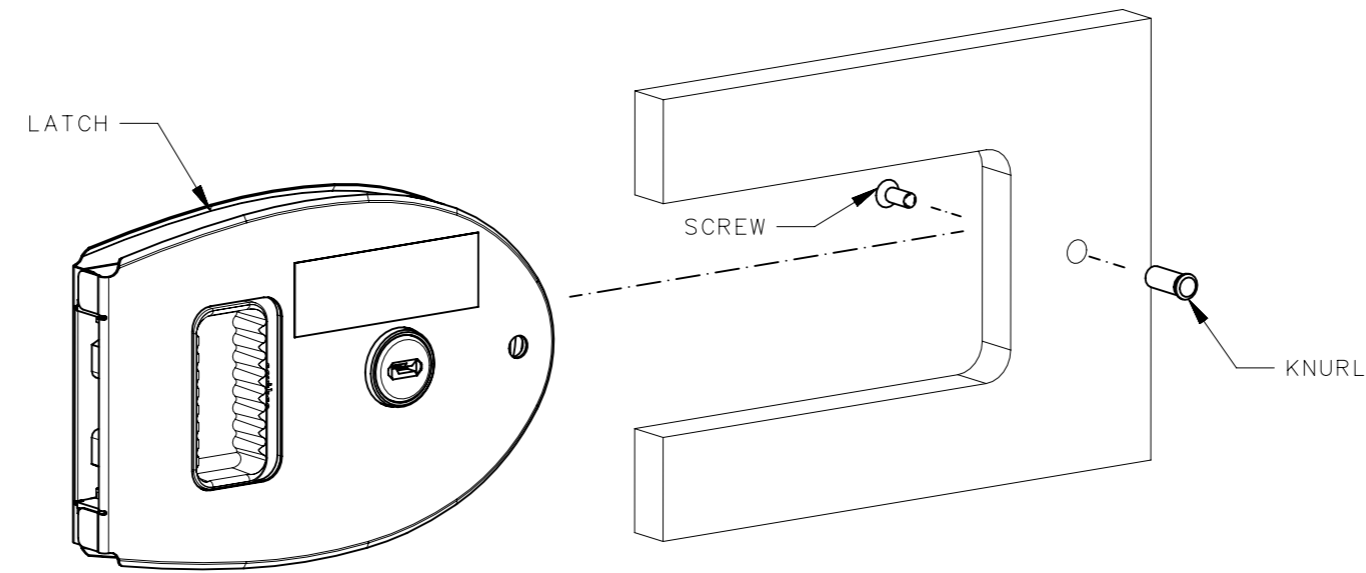


SCALE 3:10

**OVAL FLUSH WATERTIGHT**  
 [MF-03-310-24]



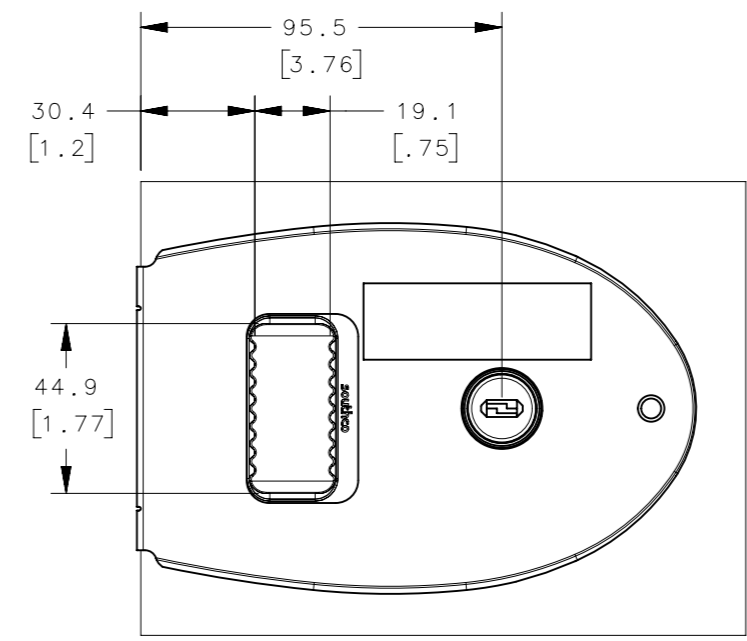
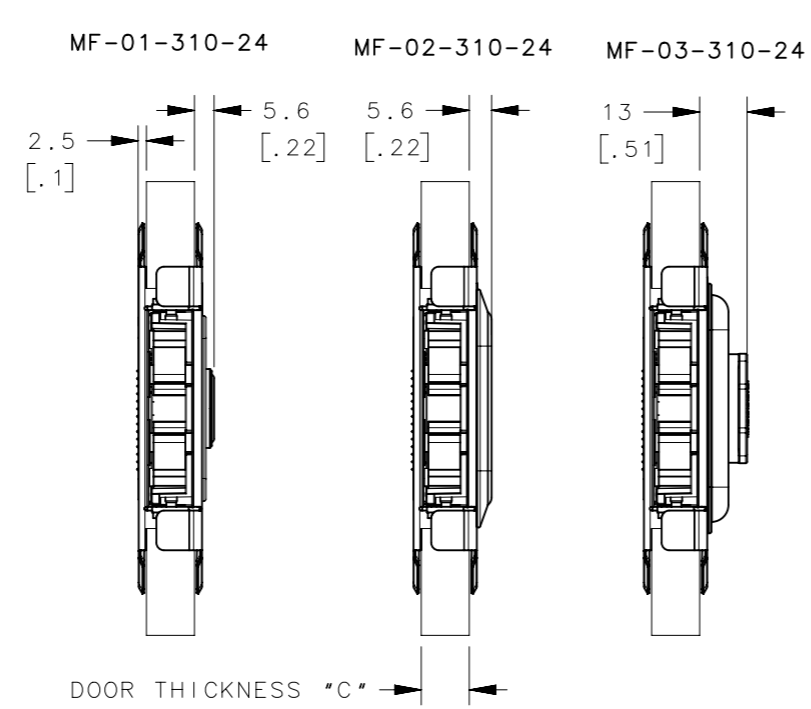
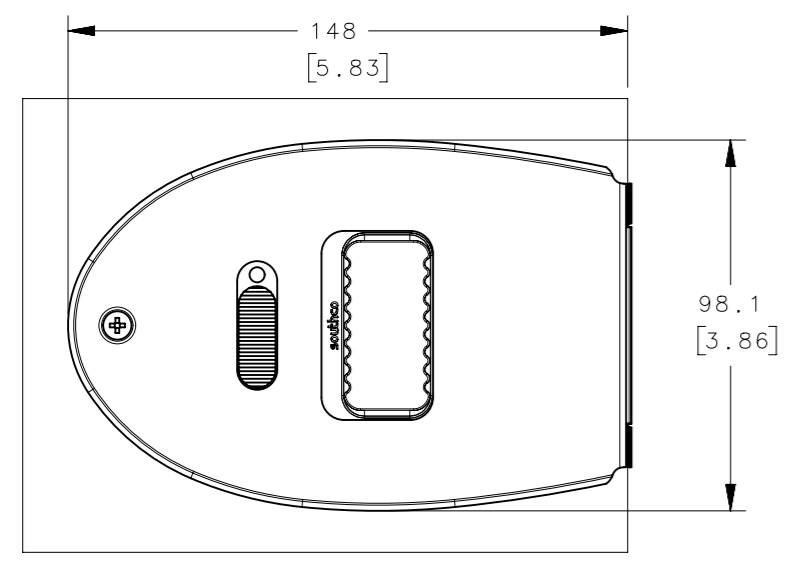
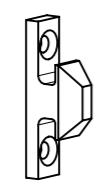
SCALE 3:10



**KEYS**



**STRIKER**



**PART NUMBER SYSTEM**

MF-XX-110-24-YY

**PRODUCT (XX)**

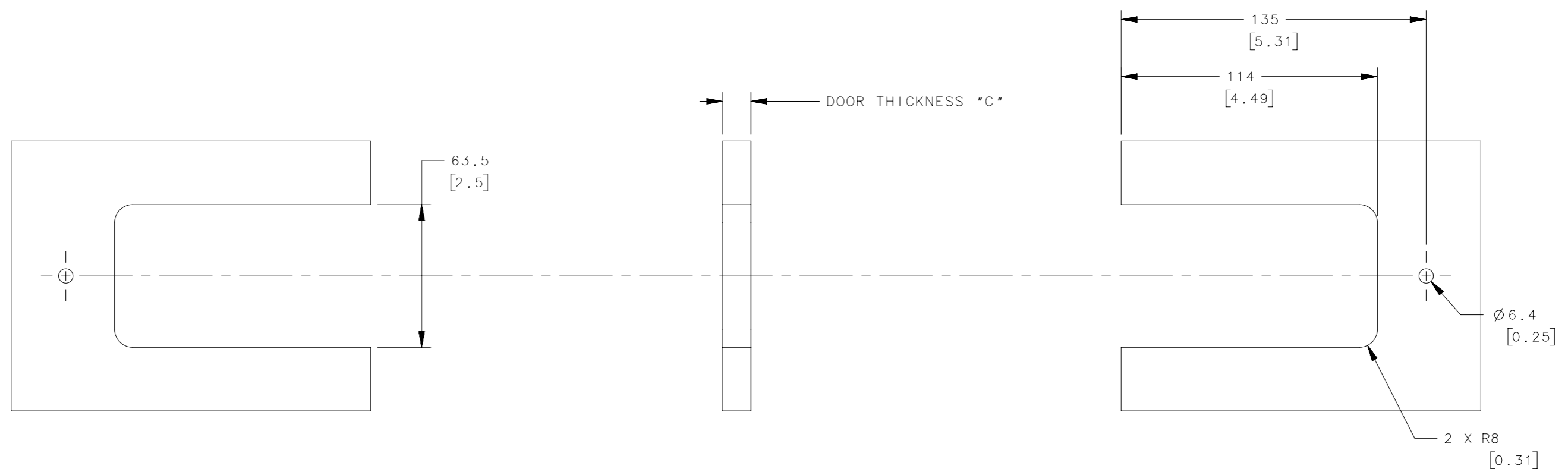
- 01 - FLUSH OVAL STANDARD
- 02 - FLUSH OVAL WEATHER PROOF
- 03 - FLUSH OVAL WATERTIGHT

**KEYCODES (YY)**

OMITS FOR SINGLE KEYCODE  
 -10 FOR 10 DIFFERENT KEYCODES

THIRD ANGLE PROJECTION			
MILLIMETERS [IN]			
TOLERANCES UNLESS OTHERWISE NOTED		DESCRIPTION	
ALL DIMENSIONS WITHOUT TOLERANCES ARE FOR REFERENCE ONLY.		FLUSH OVAL STAINLESS STEEL	
PROPRIETARY ITEM EXCEPT FOR USES EXPRESSLY GRANTED IN WRITING, INFORMATION DISCLOSED HEREON IS CONFIDENTIAL AND ALL RIGHTS, PATENT AND OTHERWISE, ARE RESERVED BY SOUTHCO, INC.	PER ASME Y14.5M-1994	SIZE A3 SYSTEM NX	DWG NO. J-MF-XX-310-24
		DRAWN BY MF/HJ	DATE 16OCT2009 SCALE 1:2 SHEET 1 OF 2

REVISION HISTORY			
REV	DATE	BY	DESCRIPTION
D	15DEC2017	NBK/VK	PRN: P2017-3066



NOTES:  
 PANEL PREPERATION FOR ASSEMBLIES MF-XX-310-24

THIRD ANGLE PROJECTION		 CONNECT • CREATE • INNOVATE	
MILLIMETERS [IN]			
TOLERANCES UNLESS OTHERWISE NOTED		DESCRIPTION FLUSH OVAL STAINLESS STEEL	
ALL DIMENSIONS WITHOUT TOLERANCES ARE FOR REFERENCE ONLY.		SIZE A3	SYSTEM NX
PROPRIETARY ITEM <small>EXCEPT FOR USES EXPRESSLY GRANTED IN WRITING, INFORMATION DISCLOSED HEREON IS CONFIDENTIAL AND ALL RIGHTS, PATENT AND OTHERWISE, ARE RESERVED BY SOUTHCO, INC.</small>		DWG NO. J-MF-XX-310-24	DATE 16OCT2009
PER ASME Y14.5M-1994		DRAWN BY MF/HJ	SCALE 1:2
		DATE 16OCT2009	SHEET 2 OF 2