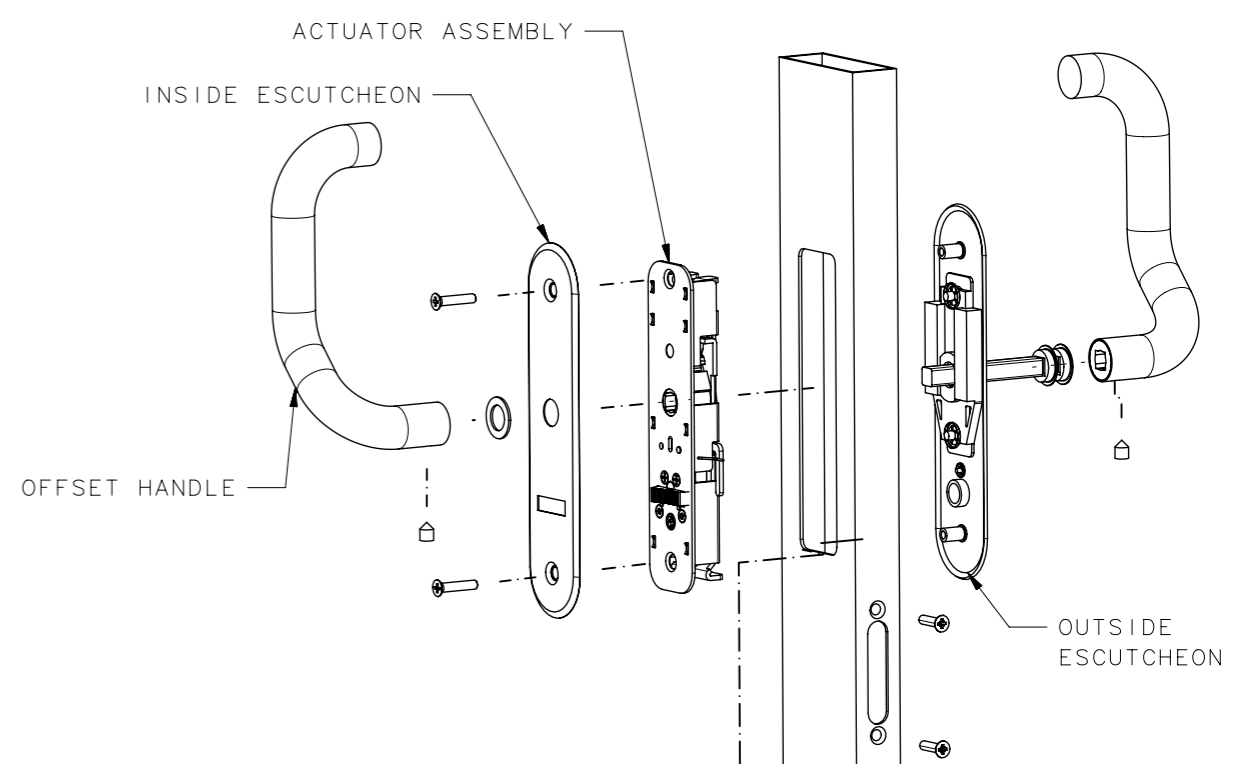
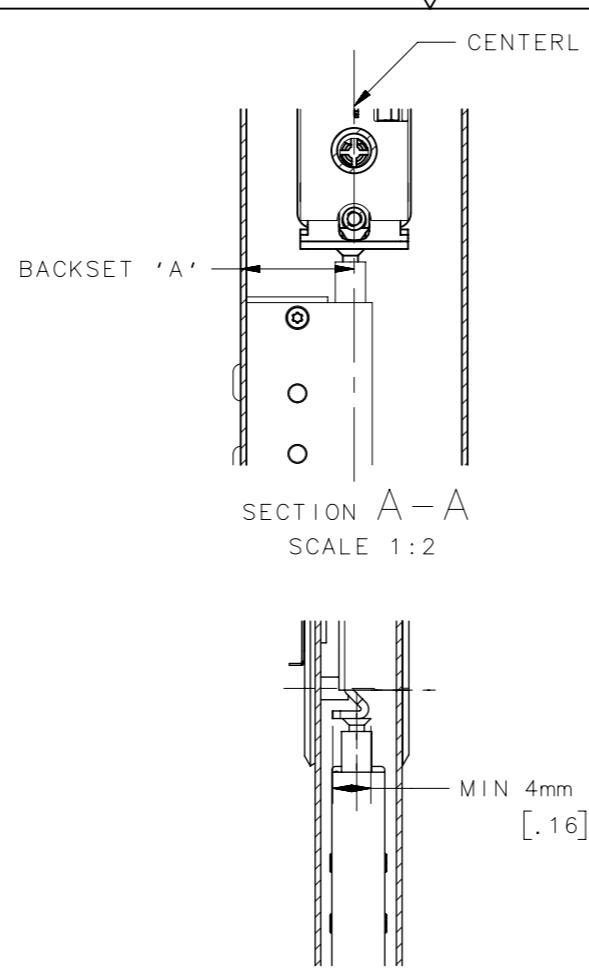
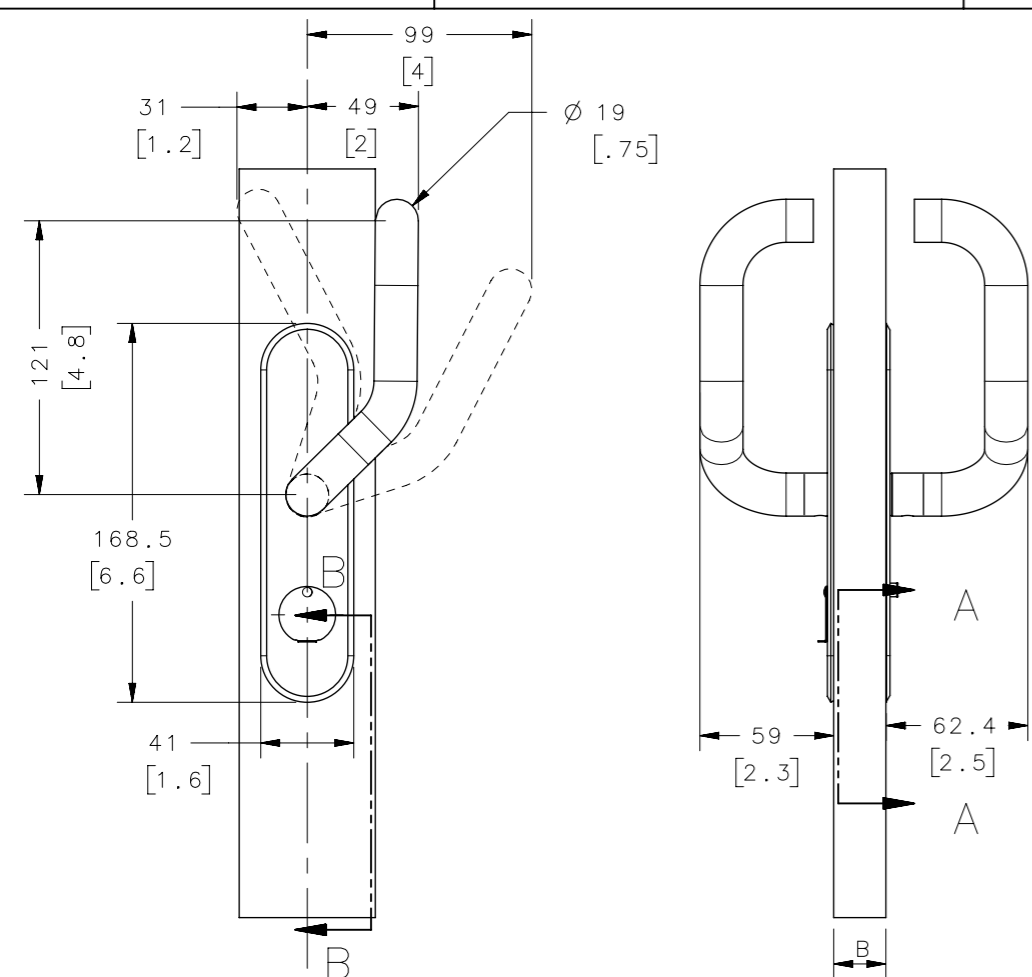
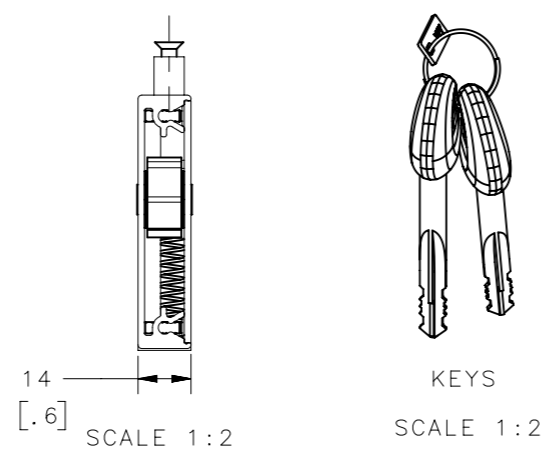
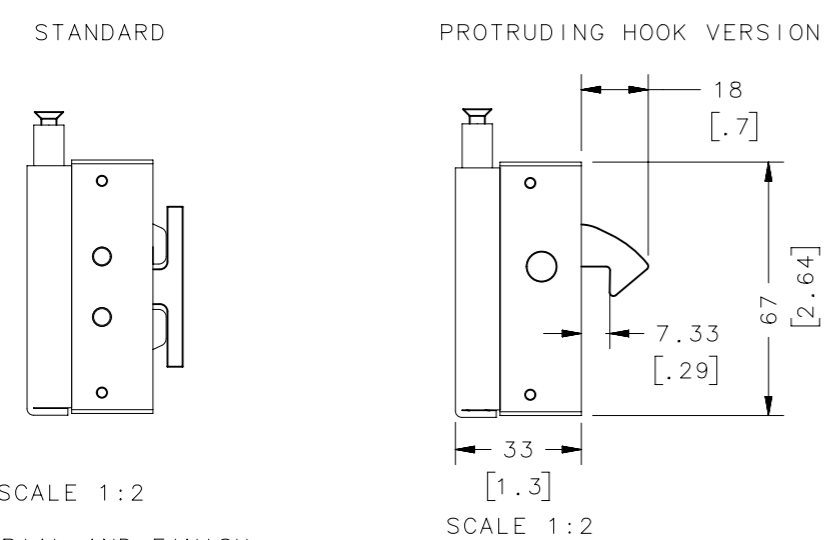


REVISION HISTORY			
REV	DATE	BY	DESCRIPTION
F	14MAY2021	KSH/VK	PRN: P2021-1019



MATCHBOX OPTIONS



ACCESSORIES	PART NUMBERS
MOUNTING TOOL STRIKER	MM-90-103-41
TOP STOP	MM-7520
RAMP FOR TOP STOP	MM-90-201-60

MATERIAL AND FINISH

OFFSET HANDLE: 316 STAINLESS STEEL, HIGH POLISHED.
 ESCUTCHEON: BRASS, BRIGHT CHROME PLATED.
 PRIVACY KNOB: BRASS, BRIGHT CHROME PLATED.
 COVER PLATE, LOCK CASE AND LEVER ARM: 316 STAINLESS STEEL.
 MOUNTING SCREWS M4 POZIDRIVE: 316 STAINLESS STEEL.
 SPRINGS: 300 SERIES STAINLESS STEEL.
 GEARS, DRIVE BAR AND RIVETS: BRASS.
 WASHERS FOR DRIVE BAR: NYLON NATURAL.
 PLASTIC COMPONENTS: ACETAL, BLACK.
 MATCHBOX HOUSING AND PLUNGER: ALUMINIUM, NATURAL ANODIZED.
 MATCHBOX HOOKS AND STRIKER: BRASS, NICKEL PLATED.

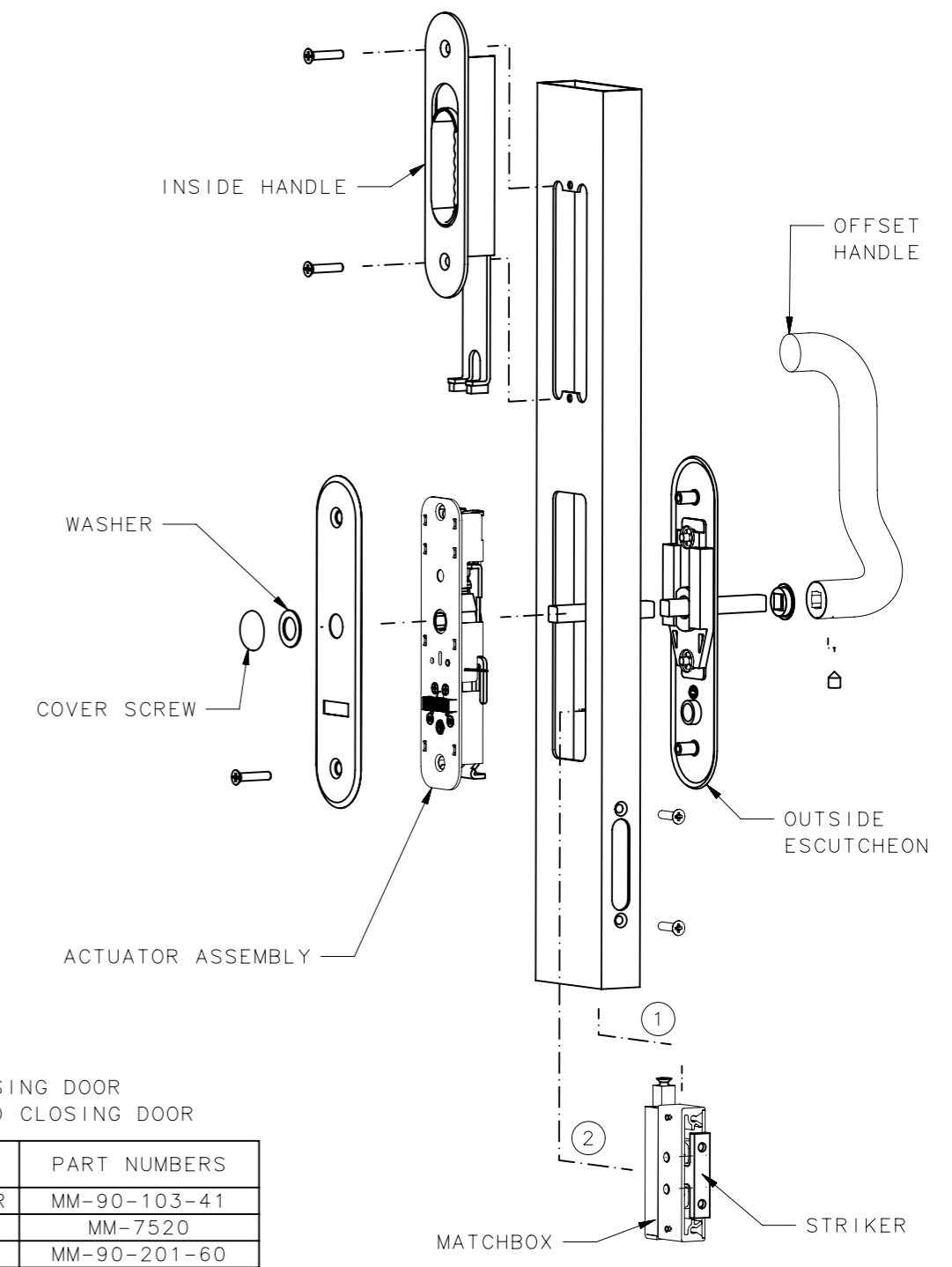
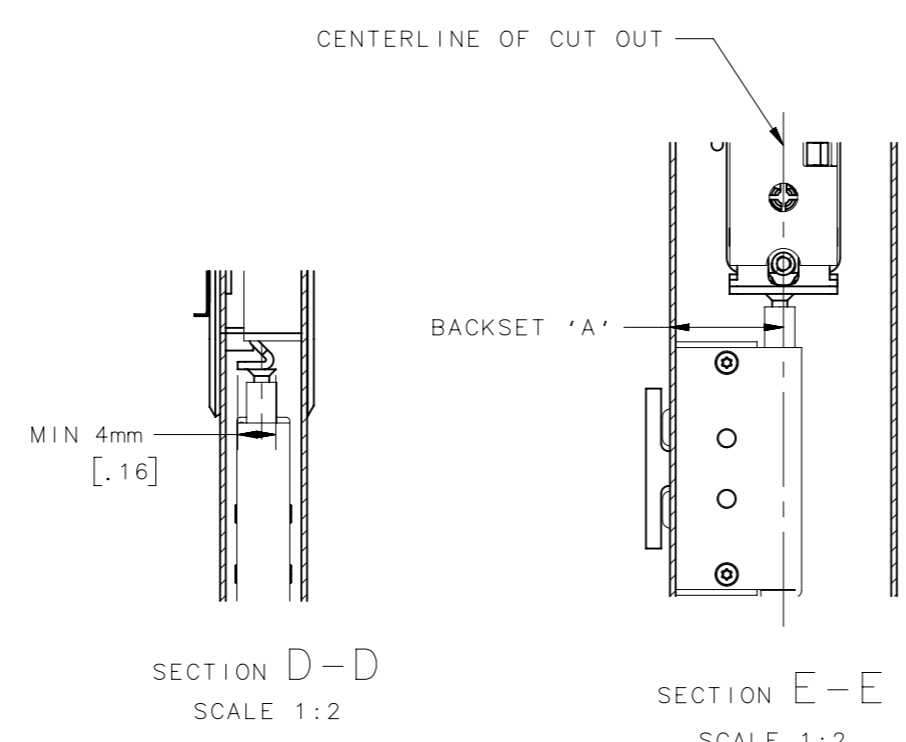
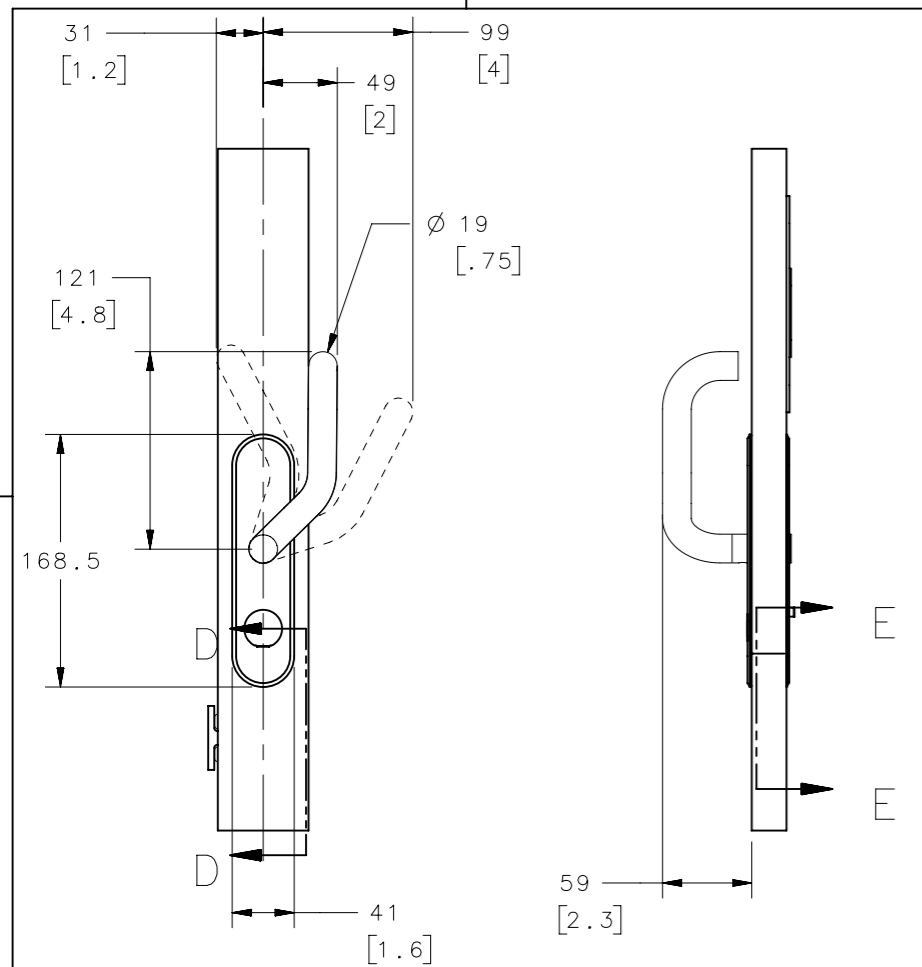
NOTE

SCREW KIT INCLUDES
 - SCREWS.
 - KEYS.
 MATCHBOX CAN BE INSTALLED IN TWO ALTERNATIVE WAYS. SEE NOTES: ① AND ②
 MAX WALL THICKNESS 5.5mm [0.28 INCH]
 BACKSET [A]
 MIN. BACKSET: 22.5mm [0.89 inches]
 MAX. BACKSET: 41.0mm [1.61 inches]
 FOR PANEL PREPARATION INSTRUCTIONS SEE DRAWING NUMBER J-MM-03-3

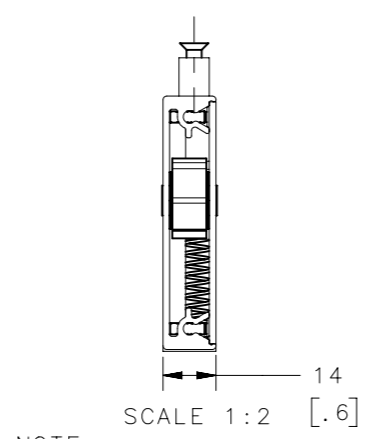
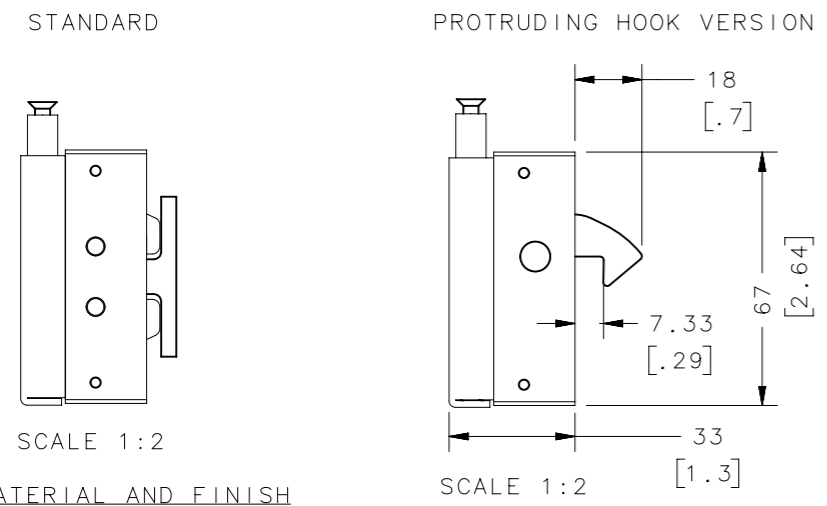
DOOR THICKNESS RANGE [B]	20.5 - 23mm. [0.8 - 0.9]	23 - 28.5mm. [0.9 - 1.12]	28.5 - 33.5mm. [1.12 - 1.32]	33.5 - 38mm. [1.32 - 1.5]
STAR SLIDER CHROME, OFFSET HANDLES STANDARD OPTION	MM-03-130-14-10	MM-03-131-14-10	MM-03-132-14-10	MM-03-133-14-10
STAR SLIDER CHROME, OFFSET HANDLES PROTRUDING HOOK OPTION	MM-03-330-14-10	MM-03-331-14-10	MM-03-332-14-10	MM-03-333-14-10

PROPRIETARY ITEM <small>EXCEPT FOR USES EXPRESSLY GRANTED IN WRITING, INFORMATION DISCLOSED HEREON IS CONFIDENTIAL AND ALL RIGHTS, PATENT AND OTHERWISE, ARE RESERVED BY SOUTHCO, INC.</small>	THIRD ANGLE PROJECTION		
	MILLIMETERS [IN]		
	TOLERANCES UNLESS OTHERWISE NOTED	DESCRIPTION	STAR SLIDER ASSEMBLY
ALL DIMENSIONS WITHOUT TOLERANCES ARE FOR REFERENCE ONLY.	SIZE	SYSTEM	DWG NO.
PER ASME Y14.5M-1994	A3	NX	J-MM-03
	DRAWN BY	DATE	SCALE
	DA/HJ	06JUN2004	0.3:1
			SHEET 1 OF 4

REVISION HISTORY			
REV	DATE	BY	DESCRIPTION
F	14MAY2021	KSH/VK	PRN: P2021-1019



MATCHBOX OPTIONS



NOTE

SCREW KIT INCLUDES
- SCREWS.
- KEYS.
MATCHBOX CAN BE INSTALLED IN TWO ALTERNATIVE WAYS. SEE NOTES: ① AND ②
MAX WALL THICKNESS 5.5mm [0.28 INCH]

BACKSET [A]
MIN. BACKSET: 22.5mm [0.89 inches]
MAX. BACKSET: 41.0mm [1.61 inches]

FOR PANEL PREPARATION INSTRUCTIONS SEE DRAWING NUMBER J-MM-03-4

XX = 15. FOR PORT CLOSING DOOR
XX = 16. FOR STARBOARD CLOSING DOOR

ACCESSORIES	PART NUMBERS
MOUNTING TOOL STRIKER	MM-90-103-41
TOP STOP	MM-7520
RAMP FOR TOP STOP	MM-90-201-60

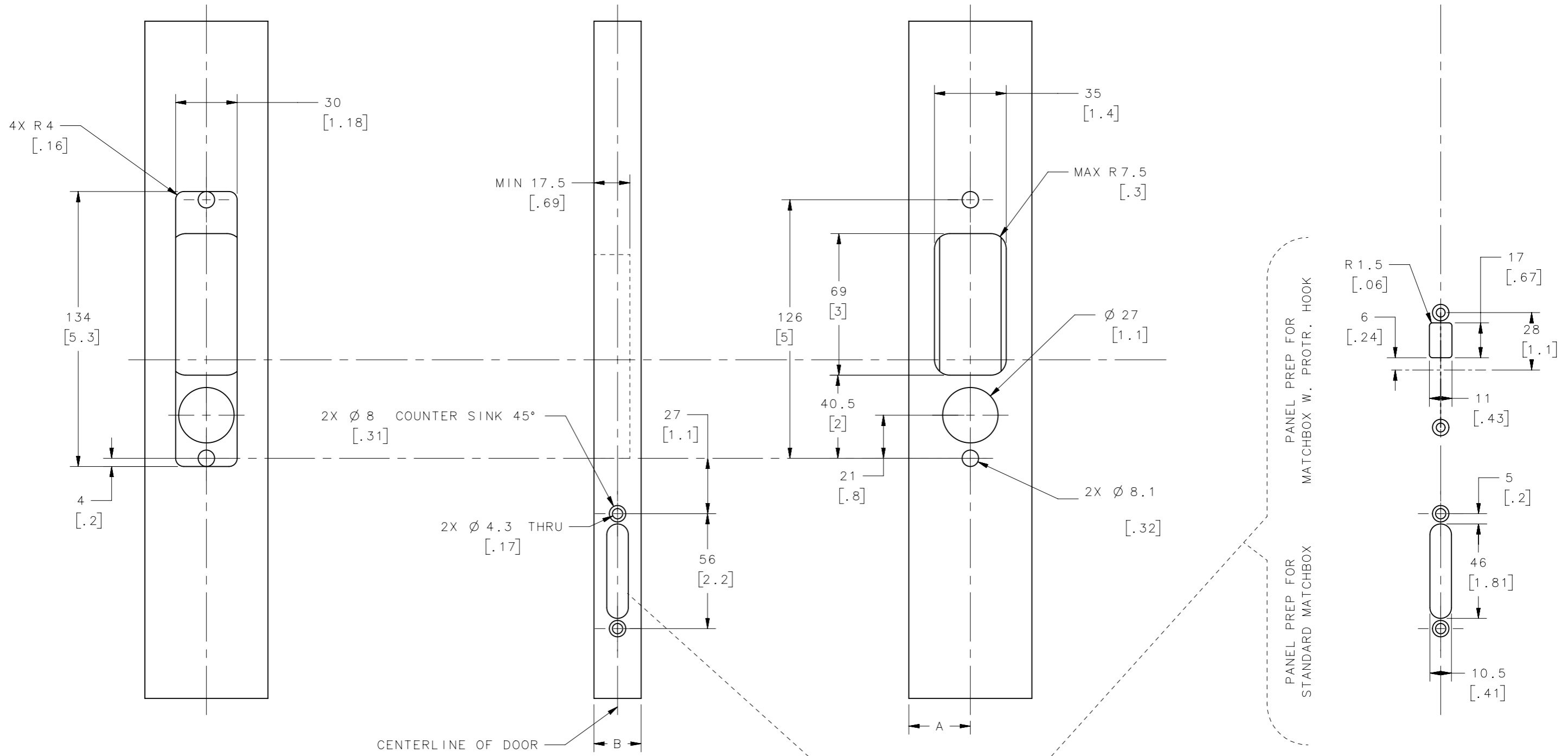
DOOR THICKNESS RANGE [B]	23 - 28.5mm. [0.9 - 1.12]	28.5 - 33.5mm. [1.12 - 1.32]	33.5 - 38mm. [1.32 - 1.5]
STAR SLIDER CHROME, OFFSET HANDLE AND FLUSHED INSIDE HANDLE, STANDARD	MM-03-131-XX-10	MM-03-132-XX-10	MM-03-133-XX-10
STAR SLIDER CHROME, OFFSET HANDLE AND FLUSHED INSIDE HANDLE, PROTRUDING HOOK	MM-03-131-XX-10	MM-03-132-XX-10	MM-03-133-XX-10

MATERIAL AND FINISH

OFFSET HANDLE: 316 STAINLESS STEEL, HIGH POLISHED.
INSIDE HANDLE ESCUTCHEON: ALUMINIUM, BRIGHT CHROME
INSIDE HANDLE: PA66, BLACK
ESCUTCHEON: BRASS, BRIGHT CHROME PLATED
PRIVACY KNOB: BRASS, BRIGHT CHROME PLATED.
COVER PLATE, LOCK CASE AND LEVER ARM: 316 STAINLESS STEEL.
MOUNTING SCREWS M4 POZIDRIVE: 316 STAINLESS STEEL.
SPRINGS: 300 SERIES STAINLESS STEEL.
GEARS, DRIVE BAR AND RIVETS: BRASS.
WASHERS FOR DRIVE BAR: NYLON NATURAL.
PLASTIC COMPONENTS: ACETAL, BLACK.
MATCHBOX HOUSING AND PLUNGER: ALUMINIUM, NATURAL ANODIZED.
MATCHBOX HOOKS AND STRIKER: BRASS, NICKEL PLATED.

THIRD ANGLE PROJECTION			
MILLIMETERS [IN]			
TOLERANCES UNLESS OTHERWISE NOTED	DESCRIPTION	STAR SLIDER ASSEMBLY	
ALL DIMENSIONS WITHOUT TOLERANCES ARE FOR REFERENCE ONLY.	SIZE	SYSTEM	DWG NO.
PER ASME Y14.5M-1994	A3	NX	J-MM-03-2
PROPRIETARY ITEM EXCEPT FOR USES EXPRESSLY GRANTED IN WRITING, INFORMATION DISCLOSED HEREON IS CONFIDENTIAL AND ALL RIGHTS, PATENT AND OTHERWISE, ARE RESERVED BY SOUTHCO, INC.	DRAWN BY	DATE	SCALE
	DA/HJ	02JAN2006	1:5
			SHEET 2 OF 4

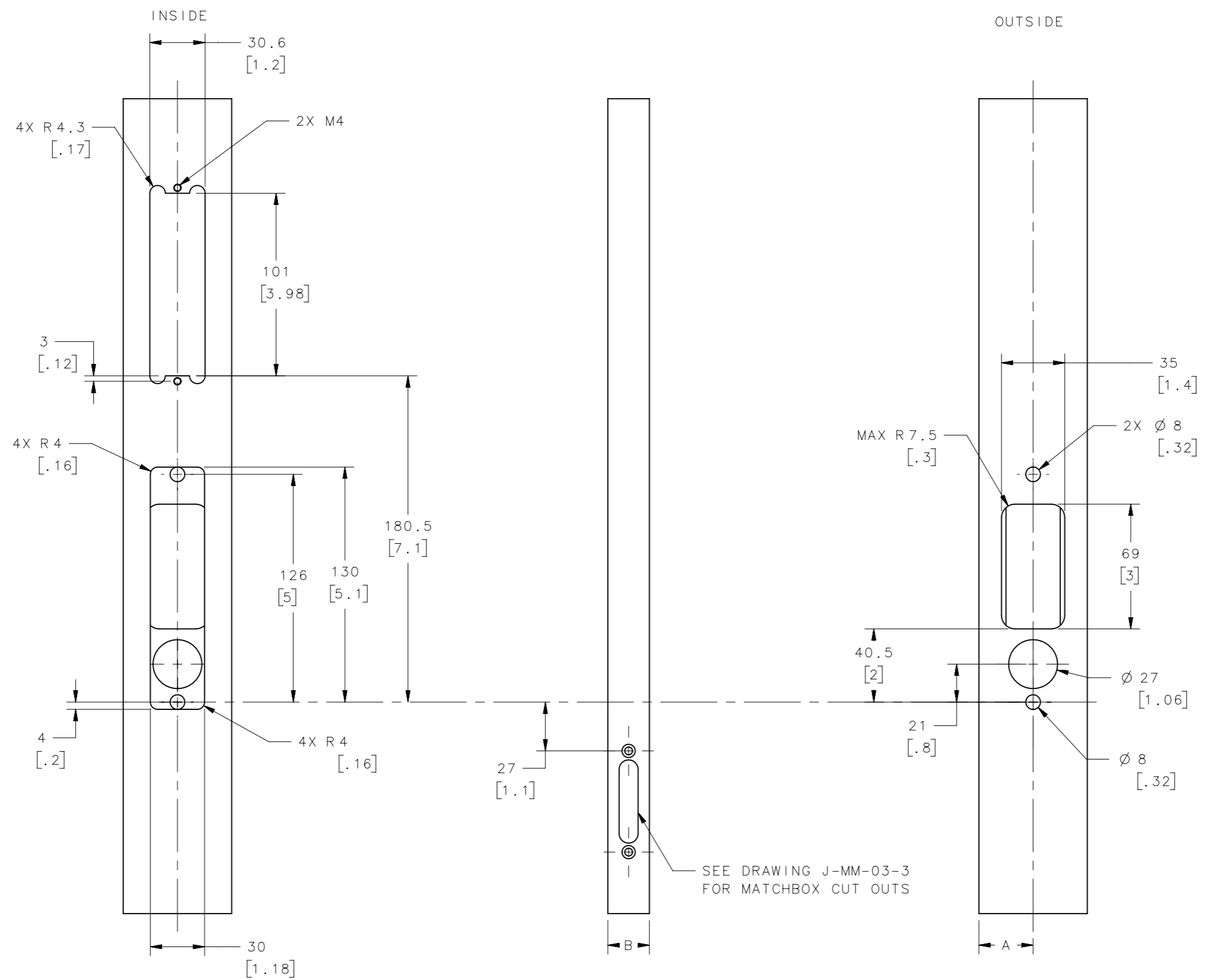
REVISION HISTORY			
REV	DATE	BY	DESCRIPTION
F	14MAY2021	KSH/VK	PRN: P2021-1019



NOTE:
 1. PANEL PREPERATION FOR ASSEMBLIES MM-03-X3X-14-10
 2. MIN. DEPTH FOR CUT OUT IS 17.5mm [0.7 inches]

THIRD ANGLE PROJECTION				southco [®] CONNECT • CREATE • INNOVATE		
MILLIMETERS [IN]	TOLERANCES UNLESS OTHERWISE NOTED			SIZE A3	SYSTEM NX	DWG NO. J-MM-03-3
ALL DIMENSIONS WITHOUT TOLERANCES ARE FOR REFERENCE ONLY.			PER ASME Y14.5M-1994		DRAWN BY HJ/HJ	DATE 06JUN2004
<small>PROPRIETARY ITEM EXCEPT FOR USES EXPRESSLY GRANTED IN WRITING, INFORMATION DISCLOSED HEREON IS CONFIDENTIAL AND ALL RIGHTS, PATENT AND OTHERWISE, ARE RESERVED BY SOUTHCO, INC.</small>			SCALE 1:2	SHEET 3 OF 4		

REVISION HISTORY			
REV	DATE	BY	DESCRIPTION
F	14MAY2021	KSH/VK	PRN: P2021-1019



NOTE:
 1. PANEL PREPERATION FOR ASSEMBLIES MM-03-X3X-15-10 AND MM-03-X3X-16-10.
 2. MIN DEPTH FOR CUT OUT IS 17.5mm [0.7 inches]

THIRD ANGLE PROJECTION				southco [®] CONNECT • CREATE • INNOVATE		
TOLERANCES UNLESS OTHERWISE NOTED		DESCRIPTION				
ALL DIMENSIONS WITHOUT TOLERANCES ARE FOR REFERENCE ONLY.		PANEL PREPERATION FOR S. SLIDER FLUSHED INSIDE HANDLE				
PROPRIETARY ITEM	PER ASME Y14.5M-1994	SIZE A3	SYSTEM NX	DWG NO. J-MM-03-4		
EXCEPT FOR USES EXPRESSLY GRANTED IN WRITING, INFORMATION DISCLOSED HEREON IS CONFIDENTIAL AND ALL RIGHTS, PATENT AND OTHERWISE, ARE RESERVED BY SOUTHCO, INC.		DRAWN BY DA/HJ	DATE 02JAN2006	SCALE 1:2	SHEET 4 OF 4	