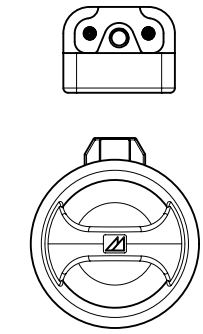
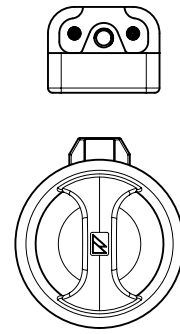


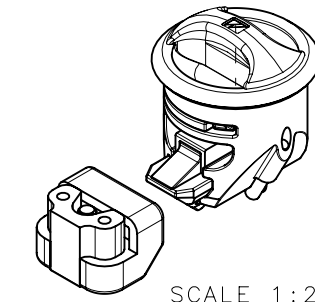
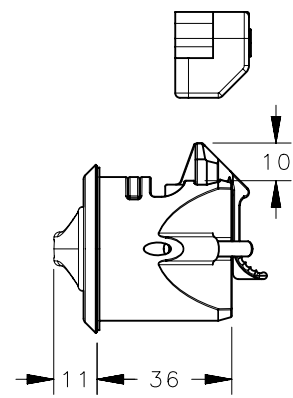
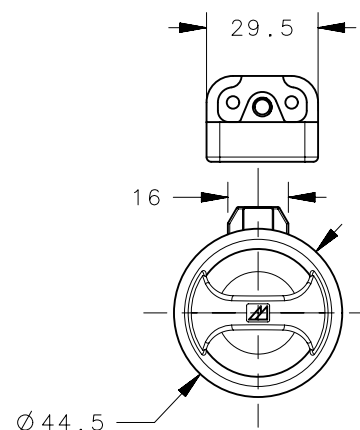
REVISION HISTORY			
REV	DATE	BY	DESCRIPTION
C	15APR2022	CRM/DMS	PRN: P2022-0719



TYPE 1  
(FOR DRAWERS)

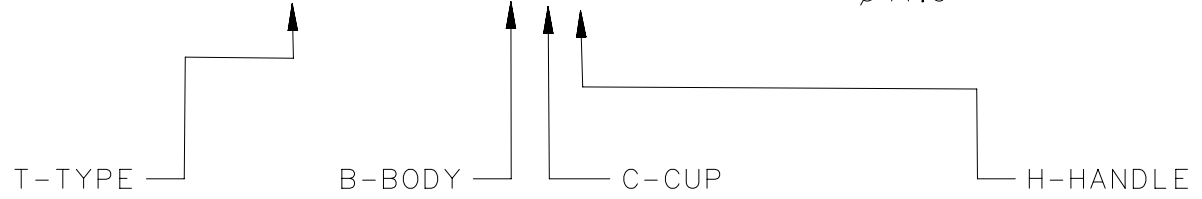


TYPE 2  
(FOR DOORS)



SCALE 1:2

MP-0T-103-BCH



- |               |         |                 |                 |
|---------------|---------|-----------------|-----------------|
| 1 FOR DRAWERS | 5 BLACK | 1 CHROME        | 1 CHROME        |
| 2 FOR DOORS   | 7 WHITE | 2 SATIN         | 2 SATIN         |
|               |         | 4 DIAMOND BRASS | 4 DIAMOND BRASS |
|               |         | 5 BLACK         | 5 BLACK         |
|               |         | 7 WHITE         | 7 WHITE         |

		THIRD ANGLE PROJECTION		<b>southco</b> <sup>®</sup> CONNECT • CREATE • INNOVATE	
		MILLIMETERS [IN]			
		TOLERANCES UNLESS OTHERWISE NOTED		DESCRIPTION NOVIBRA TYPE 1 AND 2	
SURFACE AREA		UP TO 0.5 ±0.1		SIZE A4	
VOLUME		OVER 0.5 UP TO 6 ±0.2		SYSTEM NX	
		OVER 6 UP TO 30 ±0.4		DWG NO. J-MP-01-103	
		OVER 30 ±0.6		DRAWN BY CMS/JW	
		ANGLES ±5°		DATE 12JUN2017	
PROPRIETARY ITEM EXCEPT FOR USES EXPRESSLY GRANTED IN WRITING, INFORMATION DISCLOSED HEREON IS CONFIDENTIAL AND ALL RIGHTS, PATENT AND OTHERWISE, ARE RESERVED BY SOUTHCO, INC.		PER ASME Y14.5M-1994		SCALE 1:2	
				SHEET 1 OF 1	