

<b>southco</b>	REV	DATE	DRAWN/GHKO	DESCRIPTION	ITEM	MATERIAL	FINISH
	A	26APR2006	DJK/RLR	RELEASED FOR PRODUCTION	KNOB	DIE CAST ZINC	SEE CHART
	B	21JUL2006	DJK	UPDATED PART NUMBERS	FLANGE	DIE CAST ZINC	SEE CHART
	C	4OCT2006	DJK	ADDED VIEWS			
D	21MAR2017	GMS/GTG	PRN: P2017-0526				

MP POINT HARDWARE

DRAWING NUMBER	J-MP-06-1
SCALE	NONE
DATE	26APR2006
DRAWN	DJK
CHKD	

**MILLIMETERS [INCHES]**  
 ALL DIMENSIONS WITHOUT TOLERANCES ARE FOR REFERENCE ONLY.  
 THIRD ANGLE PROJECTION  
 A3 PAPER SIZE

NOTES:  
 A. ATTACH WITH M4 SCREWS (NOT SUPPLIED)  
 SCREW LENGTH: THICKNESS OF DOOR PLUS 6mm [.25 INCH]

## COMPONENT PART NUMBERS:

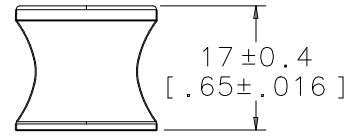
# MP-06-1WO-YZ

### COMPONENT (WO)

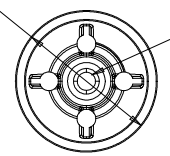
- 00 - KNOB #8
- 10 - OVAL BEZEL
- 20 - SQUARE BEZEL
- 30 - ROUND BEZEL
- 40 - KNOB M4

### COMPONENT FINISH (YZ)

- 10 - POLISHED CHROME
- 20 - SATIN CHROME
- 30 - BRUSHED NICKEL
- 40 - DIAMOND BRASS
- 50 - BLACK POWDERCOAT
- 60 - SATIN NICKEL
- 70 - WHITE POWDERCOAT

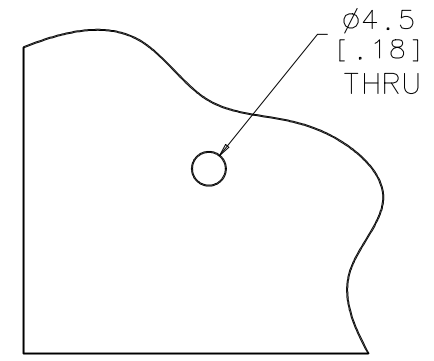
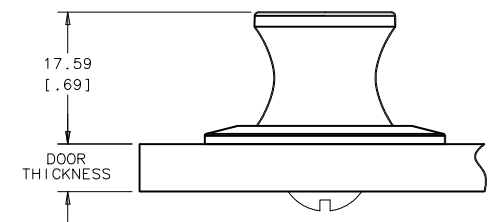


∅18.8 ± 0.4  
[.74 ± .016]

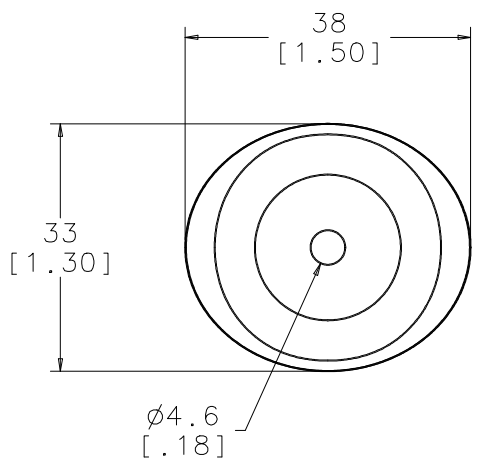


TAPPED #8 X .4 INCHES DEEP  
 TAPPED M4 X 10MM DEEP  
 (SEE COMPONENT PART NUMBER)

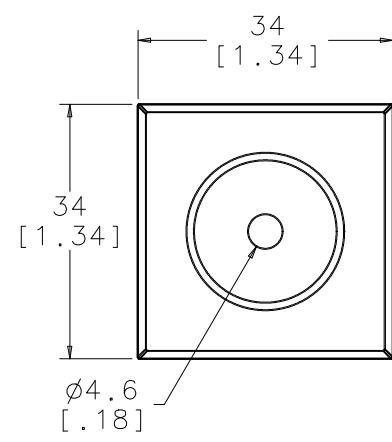
KNOB



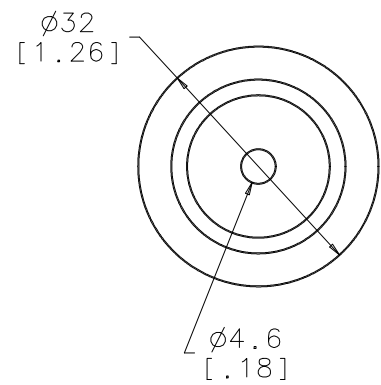
DOOR PREPARATION



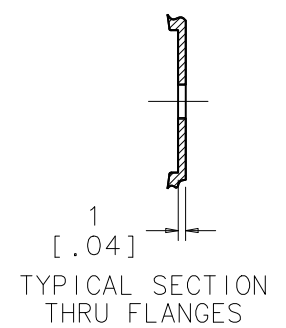
OVAL FLANGE



SQUARE FLANGE



ROUND FLANGE



TYPICAL SECTION THRU FLANGES