

DRAWING NUMBER	J-MR-04-10C-24
MILLIMETERS	
SCALE	-
CHKD	HJ
DATE	15DEC2009
MF	

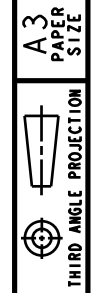
REV	DATE	DRAWN/CHKD	DESCRIPTION
A	15DEC2009	MF/HJ	RELEASED FOR PRODUCTION
B	15MAY2024	SAK/DMS	PRN:P2024-0845
C	13JUN2024	SAK/DMS	PRN:P2024-1026

**MATERIAL AND FINISH**  
 ESCUTCHEON; 316 STAINLESS STEEL, POLISHED  
 SPRING BOLT; POM, BLACK  
 HANDLE; POM, BLACK  
 HOUSING; POM, BLACK  
 BUMPER; SILICONE RUBBER  
 SPRING; 316 STAINLESS STEEL

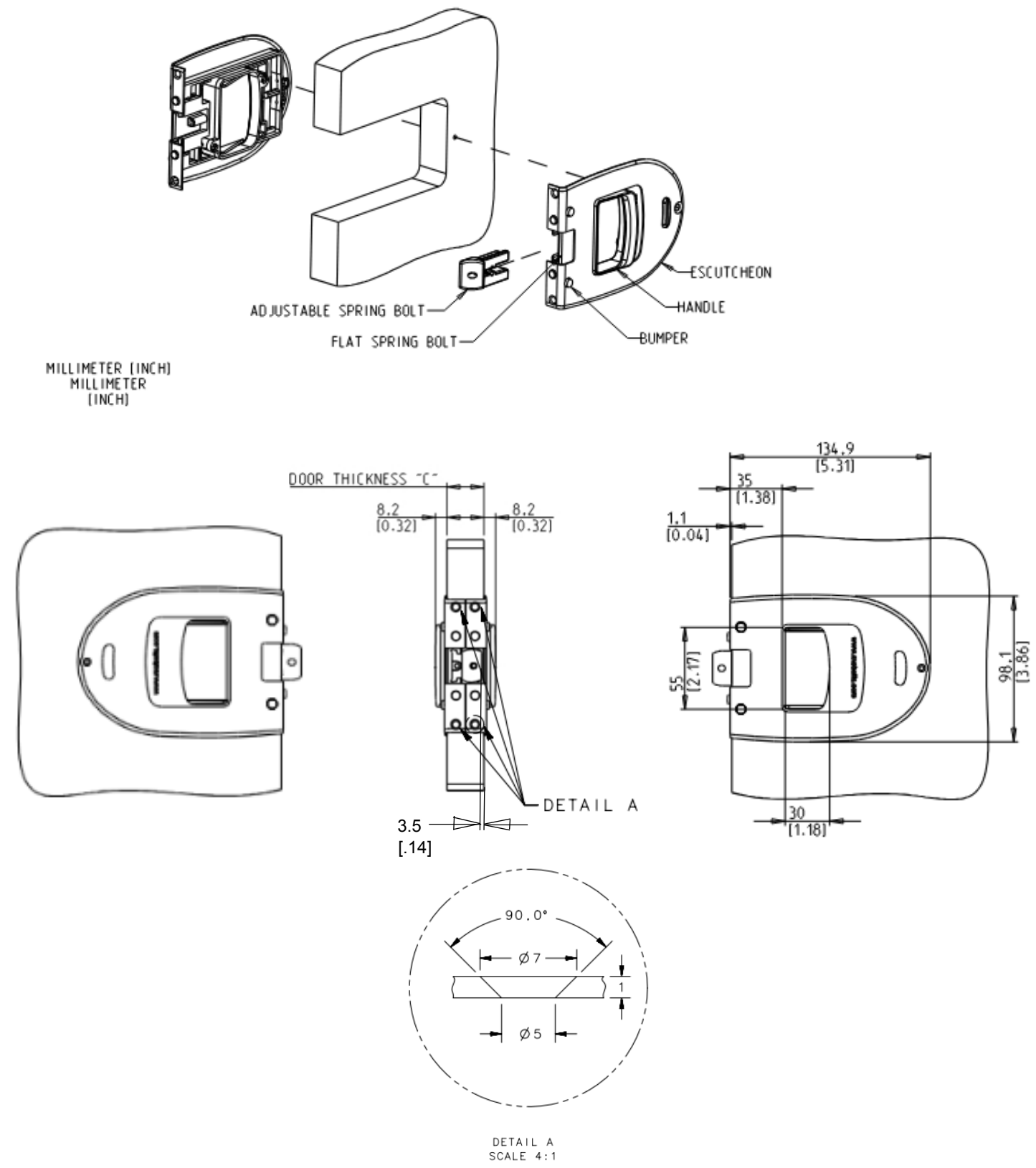
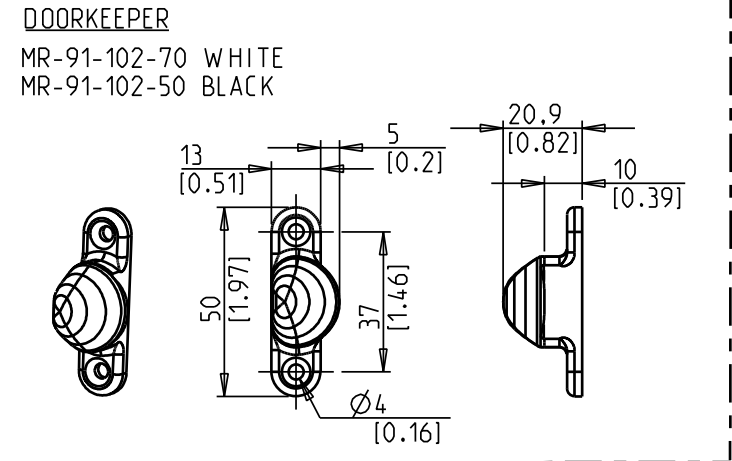
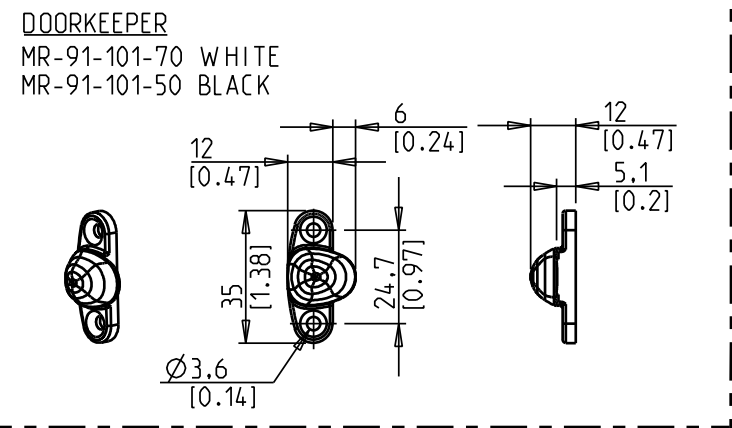
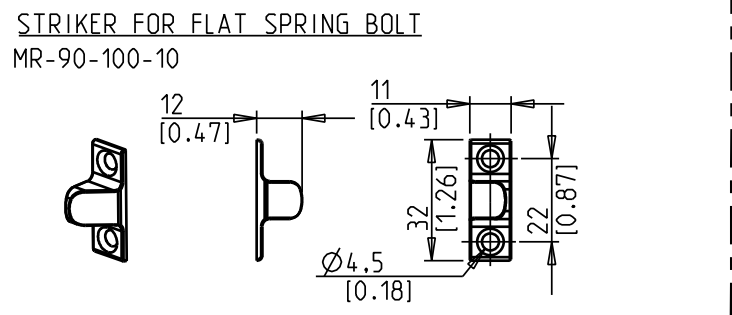
- NOTES**
1. DOOR THICKNESS RANGE "C": 25-51mm [1" - 2"]
  2. FOR PANEL PREPARATION INSTRUCTIONS, SEE DRAWING NUMBER J-MR-04-10C-24-2
  3. STRIKER FOR ADJUSTABLE SPRING BOLT, SEE DRAWING: H-MC-90-2XX-YY
  4. SEE SOUTHCO MARINE HANDBOOK FOR MORE DETAILED INSTALLATION INSTRUCTIONS

**PART NUMBER SYSTEM**  
 MR-04-10C-24

**DOOR THICKNESS (C)**  
 6 - 25-31mm [1" - 1-1/4"]  
 7 - 30-36mm [1-3/16" - 1-7/16"]  
 8 - 35-41mm [1-3/8" - 1-5/8"]  
 9 - 40-46mm [1-9/16" - 1-13/16"]  
 10 - 45-51mm [1-3/4" - 2"]



**ACCESSORIES**



**southco**

PROPRIETARY ITEM - EXCEPT FOR USES EXPRESSLY GRANTED IN WRITING INFORMATION DISCLOSED HEREON IS CONFIDENTIAL AND ALL RIGHTS PATENT AND OTHERWISE ARE RESERVED BY SOUTHCO, INC.

OMNI BOB - PANEL PREPARATION

DRAWING NUMBER  
J-MR-04-10C-242

REV	DATE	DRAWN/CHKD	DESCRIPTION
A	15DEC2009	MF/HJ	RELEASED FOR PRODUCTION
B	15MAY2024	SAK/DMS	PRN: P2024-0845
C	13JUN2024	SAK/DMS	PRN: P2024-1026

DATE	DRAWN	CHKD	SCALE
15DEC2009	MF	HJ	-

MILLIMETERS

ALL DIMENSIONS WITHOUT TOLERANCES ARE FOR REFERENCE ONLY.

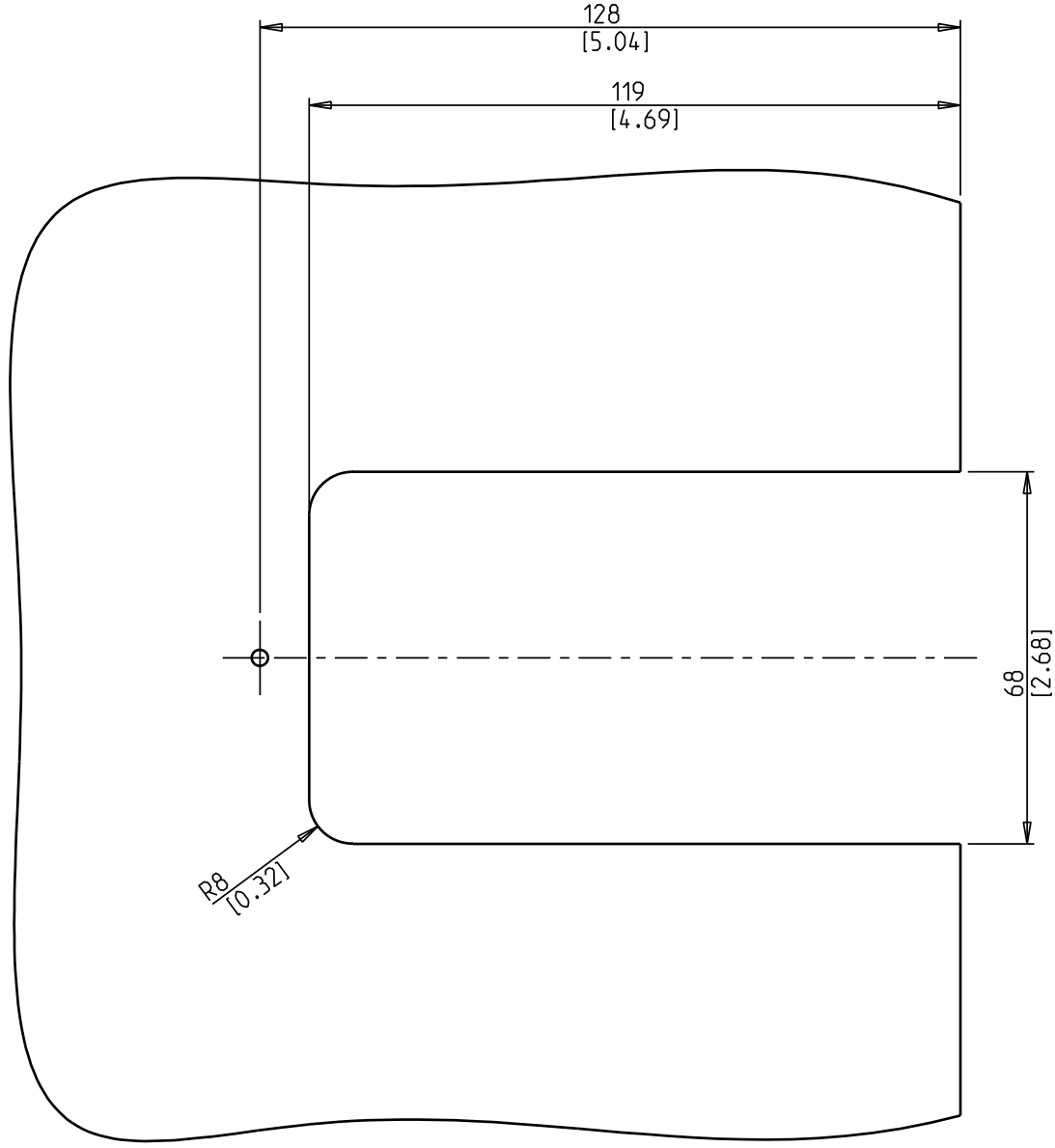
THIRD ANGLE PROJECTION

A3 PAPER SIZE

MILLIMETER [INCH]  
MILLIMETER [INCH]

NOTES

PANEL PREPERATION FOR ASSEMBLIES MR-04-10C-24



DOOR THICKNESS "C"

