

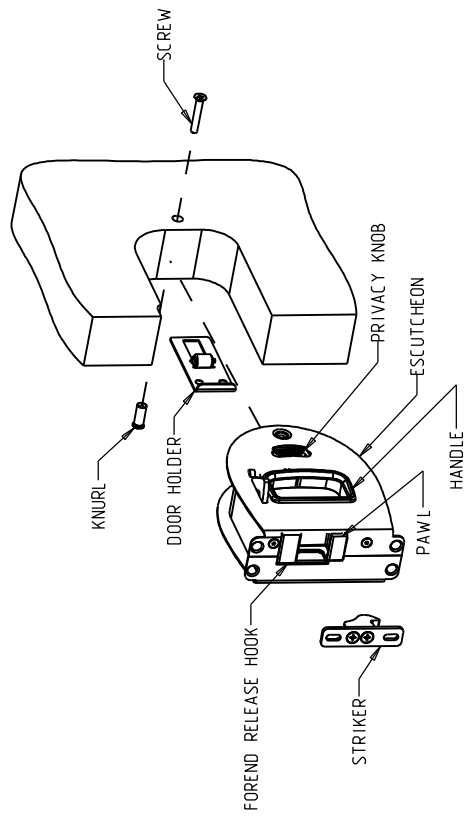
MATERIAL AND FINISH
 ESCUTCHEON: 316 STAINLESS STEEL, POLISHED
 PAWL: ALUMINIUM, BLACK
 HANDLE: POM, BLACK
 HOUSING: POM, BLACK
 PRIVACY KNOB: POM, BLACK
 FOREND RELEASE HOOK: ALUMINIUM, NATURAL ANODIZED
 SPRING: 316 STAINLESS STEEL
 KNURL: BRASS, NICKEL PLATED
 SCREW: 316 STAINLESS STEEL
 STRIKER: ABS, BLACK / BRASS, NICKEL PLATED
 DOOR HOLDER: STAINLESS STEEL / ABS, BLACK

NOTES

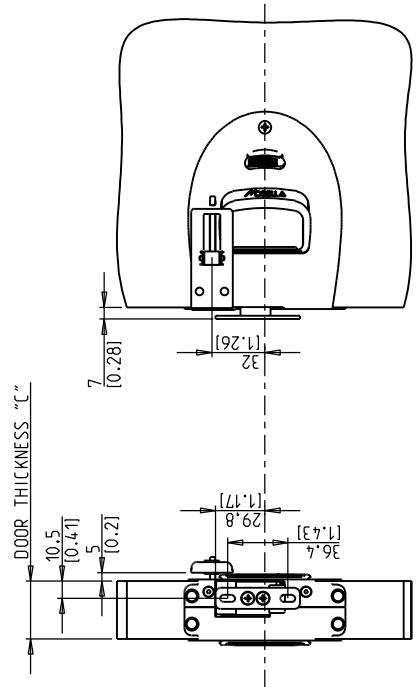
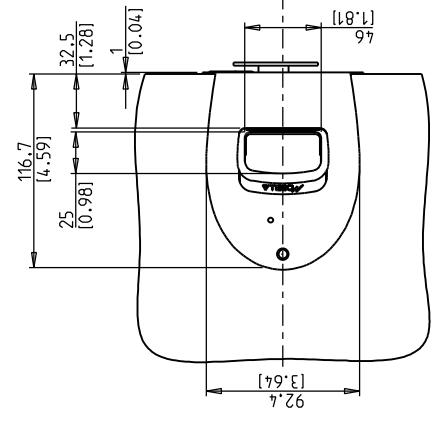
1. DOOR THICKNESS "C": 25, 32 AND 35mm [1", 1-1/4" AND 1-3/8"]
2. FOR PANEL PREPARATION INSTRUCTIONS, SEE DRAWING NUMBER J-MR-06-12C-24-2
3. SEE SOUTHCO MARINE HANDBOOK FOR MORE DETAILED INSTALLATION INSTRUCTIONS

PART NUMBER SYSTEM
 MR-06-12C-24

DOOR THICKNESS (C)
 3 - 25mm [1"]
 4 - 32mm [1-1/4"]
 5 - 35mm [1-3/8"]



MILLIMETER (INCH)
 MILLIMETER (INCH)

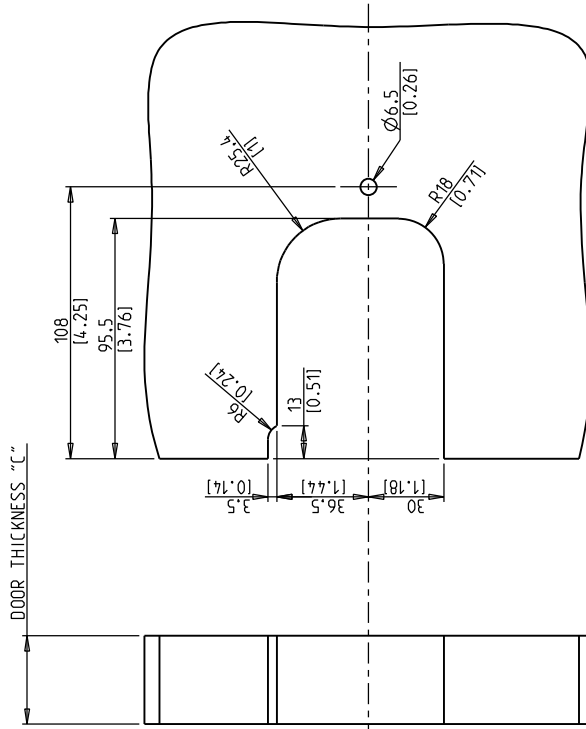


DRAWING NUMBER		J-MR-06-12C-24		DATE		15DEC2009		DRAWN		MF		CHKD		HJ		SCALE		-	
MILLIMETERS		MILLIMETERS		DATE		15DEC2009		DRAWN		MF		CHKD		HJ		SCALE		-	
ALL DIMENSIONS WITHOUT TOLERANCES ARE FOR REFERENCE ONLY.		MILLIMETERS		DATE		15DEC2009		DRAWN		MF		CHKD		HJ		SCALE		-	
THIRD ANGLE PROJECTION		MILLIMETERS		DATE		15DEC2009		DRAWN		MF		CHKD		HJ		SCALE		-	
PAPER SIZE		MILLIMETERS		DATE		15DEC2009		DRAWN		MF		CHKD		HJ		SCALE		-	
A3		MILLIMETERS		DATE		15DEC2009		DRAWN		MF		CHKD		HJ		SCALE		-	
DESCRPTION		MILLIMETERS		DATE		15DEC2009		DRAWN		MF		CHKD		HJ		SCALE		-	
OMNI POCKET		MILLIMETERS		DATE		15DEC2009		DRAWN		MF		CHKD		HJ		SCALE		-	
PROPERTY ITEM - EXCEPT FOR USES EXPRESSLY GRANTED IN WRITING INFORMATION DISCLOSED AND OTHERWISE ARE RESERVED BY SOUTHCO, INC.		MILLIMETERS		DATE		15DEC2009		DRAWN		MF		CHKD		HJ		SCALE		-	
SOUTHCO		MILLIMETERS		DATE		15DEC2009		DRAWN		MF		CHKD		HJ		SCALE		-	
DESCRPTION		MILLIMETERS		DATE		15DEC2009		DRAWN		MF		CHKD		HJ		SCALE		-	
RELEASED FOR PRODUCTION		MILLIMETERS		DATE		15DEC2009		DRAWN		MF		CHKD		HJ		SCALE		-	
REV		MILLIMETERS		DATE		15DEC2009		DRAWN		MF		CHKD		HJ		SCALE		-	
A		MILLIMETERS		DATE		15DEC2009		DRAWN		MF		CHKD		HJ		SCALE		-	

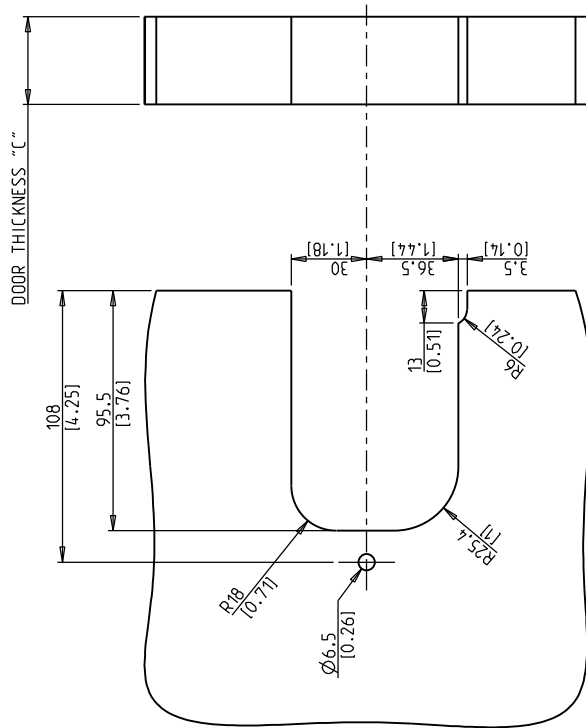
NOTES
 PANEL PREPARATION FOR ASSEMBLIES MR-06-12C-24

MILLIMETER (INCH)
 MILLIMETER (INCH)

RIGHT INSIDE DOOR PANEL PREPARATION



LEFT INSIDE DOOR PANEL PREPARATION



DRAWING NUMBER J-MR-06-12C-24-2		DATE 15DEC2009		DRAWN MF		CHKD HJ		SCALE 1:2		MILLIMETERS		THIRD ANGLE PROJECTION		PAPER SIZE A3	
PROPRIETARY ITEM - EXCEPT FOR USES EXPRESSLY GRANTED IN WRITING INFORMATION DISCLOSED HEREON IS CONFIDENTIAL AND ALL RIGHTS PATENT AND OTHERWISE ARE RESERVED BY SOUTHCORP, INC.															
DESCRIPTION OMNI POCKET - PANEL PREPARATION															
REV A 15DEC2009 MF/HJ RELEASED FOR PRODUCTION															
ALL DIMENSIONS WITHOUT TOLERANCES ARE FOR REFERENCE ONLY.															