

southco	REV	DATE	DRAWN/CHKD	DESCRIPTION
	A	15DEC2009	MF/HJ	RELEASED FOR PRODUCTION
	B	17MAR2021	CMS/CTG	PRN: P2021-0519
PROPRIETARY ITEM - EXCEPT FOR USES EXPRESSLY GRANTED IN WRITING INFORMATION DISCLOSED HEREON IS CONFIDENTIAL AND ALL RIGHTS PATENT AND OTHERWISE ARE RESERVED BY SOUTHCO, INC.				
OMINI		DATE	DRAWN	CHKD
		15DEC2009	MF	HJ
		SCALE		
		DRAWING NUMBER	J-MR-XX-1BC-24	
			MILLIMETERS	

MATERIAL AND FINISH
 ESCUTCHEON; 316 STAINLESS STEEL, POLISHED
 SPRING BOLT; POM, BLACK
 HANDLE; POM, BLACK
 HOUSING; POM, BLACK
 PRIVACY KNOB; POM, BLACK
 BUMPER; SILICONE RUBBER
 SPRING; 316 STAINLESS STEEL
 KNURL; BRASS, NICKEL PLATED
 SCREW; 316 STAINLESS STEEL

A3 PAPER SIZE
 THIRD ANGLE PROJECTION

ALL DIMENSIONS WITHOUT TOLERANCES ARE FOR REFERENCE ONLY.

- NOTES**
- DOOR THICKNESS "C": 12.7, 16 AND 19mm [1/2", 5/8" AND 3/4"]
 - FOR PANEL PREPARATION INSTRUCTIONS. SEE DRAWING NUMBER J-MR-XX-1BC-24-2
 - STRIKER FOR ADJUSTABLE SPRING BOLT, SEE DRAWING: H-MC-90-2XX-YY
 - SEE SOUTHCO MARINE HANDBOOK FOR MORE DETAILED INSTALLATION INSTRUCTIONS

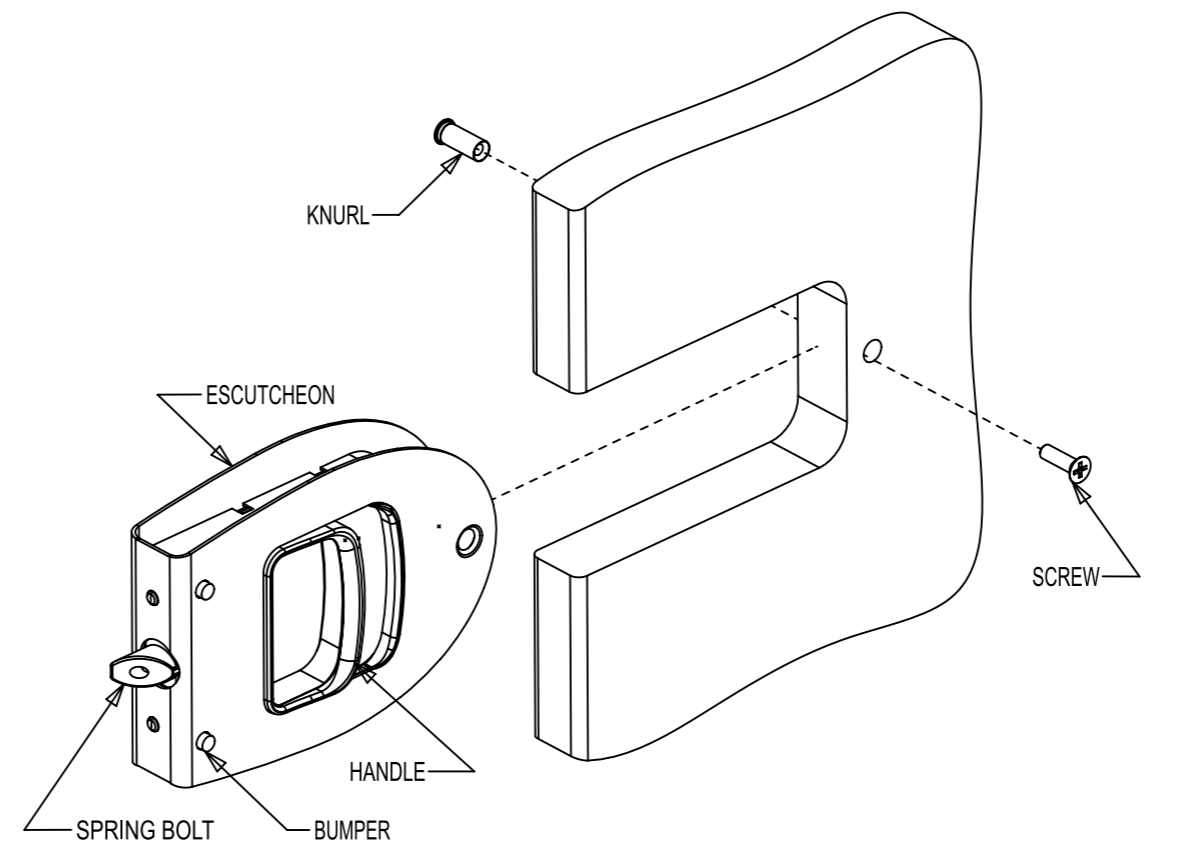
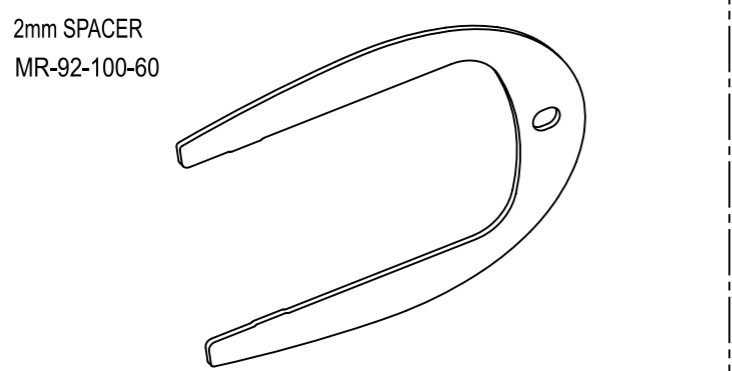
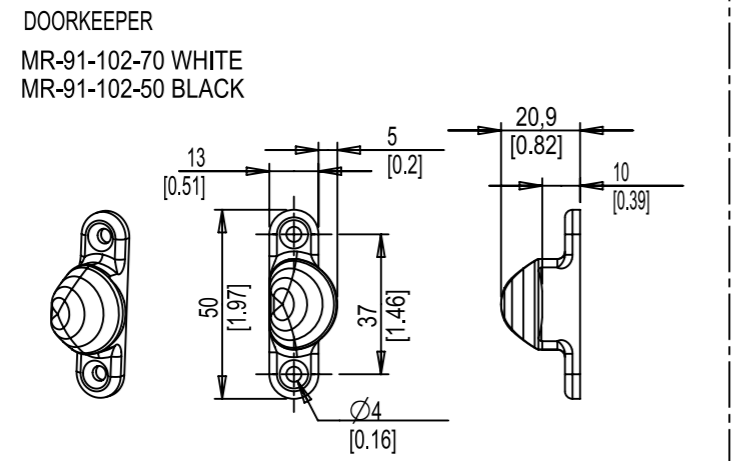
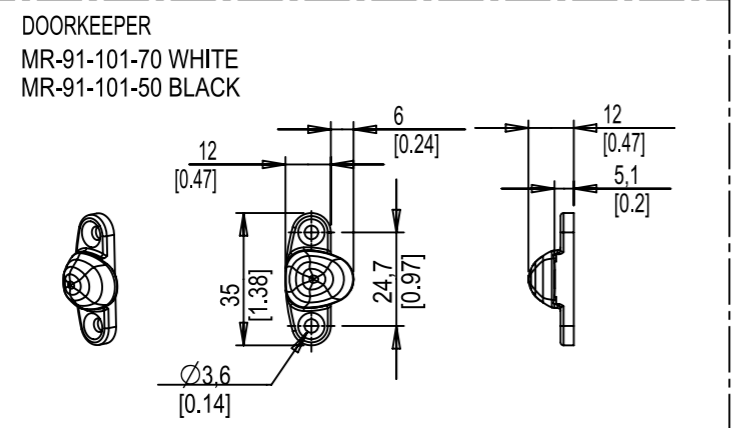
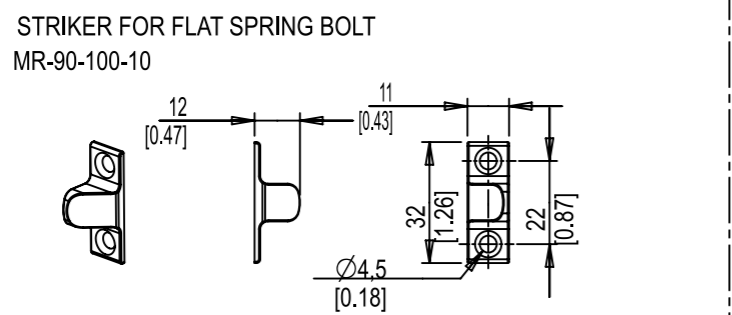
PART NUMBER SYSTEM
MR-XX-1BC-24

SPRING BOLT OPTION (XX)
 01 - ADJUSTABLE SPRING BOLT
 02 - FLAT SPRING BOLT
 03 - 2-STEP SPRING BOLT

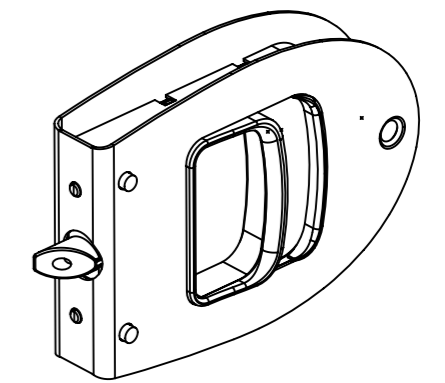
PRIVACY OPTION (B)
 0 - NO PRIVACY
 2 - PRIVACY

DOOR THICKNESS (C)
 0 - 12.7mm [1/2"]
 1 - 16mm [5/8"]
 2 - 19mm [3/4"]

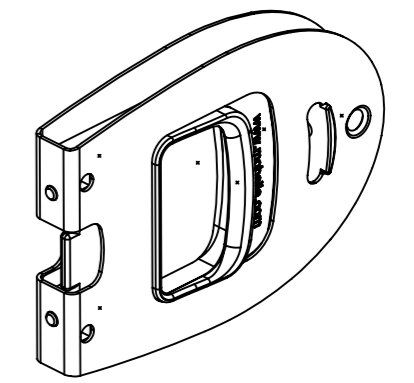
ACCESSORIES



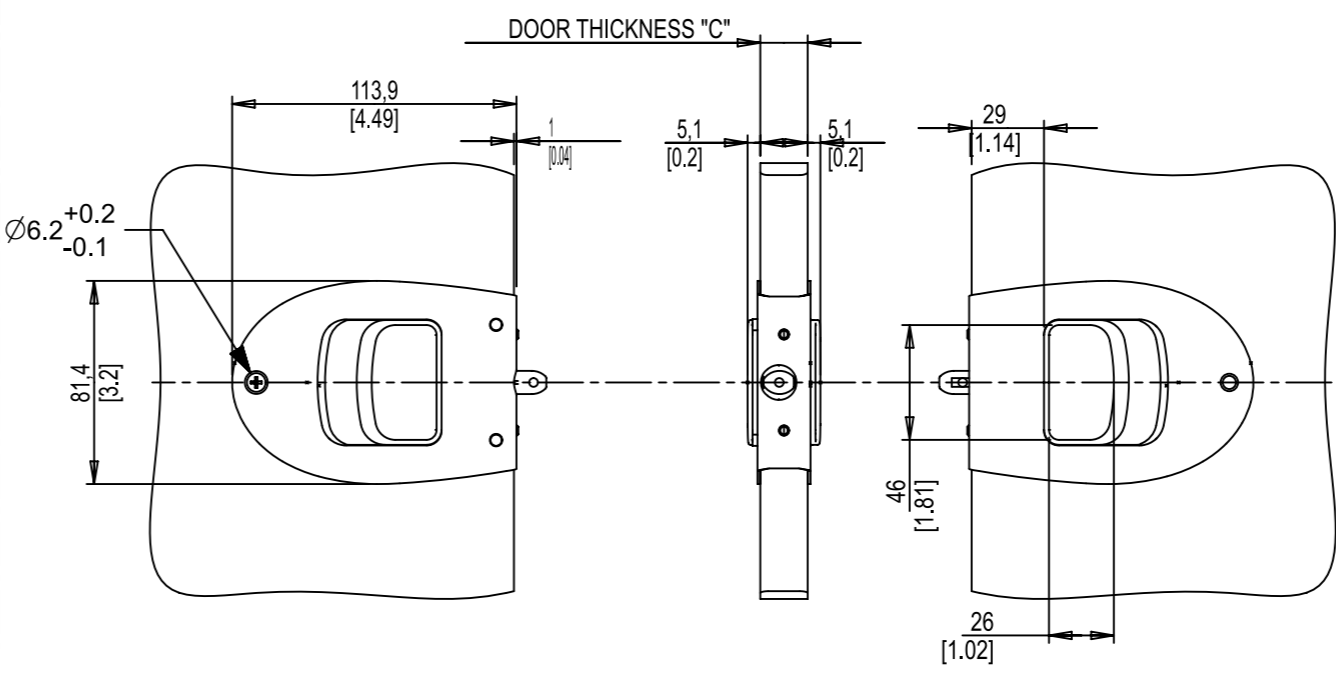
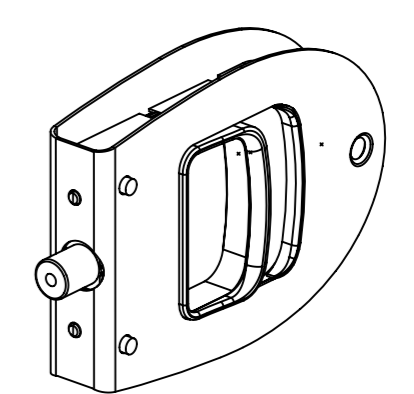
ADJUSTABLE SPRING BOLT VERSION
 MR-01-ABC-24



FLAT SPRING BOLT VERSION
 MR-02-ABC-24



2-STEP SPRING BOLT VERSION
 MR-03-ABC-24



MILLIMETER [INCH]
 MILLIMETER [INCH]



PROPRIETARY ITEM - EXCEPT FOR USES EXPRESSLY GRANTED IN WRITING INFORMATION DISCLOSED HEREON IS CONFIDENTIAL AND ALL RIGHTS PATENT AND OTHERWISE ARE RESERVED BY SOUTHCO, INC.

OMNI - PANEL PREPARATION

DRAWING NUMBER
J-MR-XX-1BC-24 -2

REV	DATE	DRAWN/CHKD	DESCRIPTION	DATE	DRAWN	CHKD	SCALE
A	15DEC2009	MF/HJ	RELEASED FOR PRODUCTION	15DEC2009	MF	HJ	-
B	17MAR2021	CMS/CTG	PRN: P2021-0519				

MILLIMETERS

ALL DIMENSIONS WITHOUT TOLERANCES ARE FOR REFERENCE ONLY.



THIRD ANGLE PROJECTION

A3 PAPER SIZE

MILLIMETER [INCH]
MILLIMETER
[INCH]

NOTES
PANEL PREPERATION FOR ASSEMBLIES MR-XX-1BC-24

