

southco

PROPRIETARY ITEM - EXCEPT FOR USES EXPRESSLY GRANTED IN WRITING INFORMATION DISCLOSED HEREON IS CONFIDENTIAL AND ALL RIGHTS PATENT AND OTHERWISE ARE RESERVED BY SOUTHCO, INC.

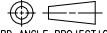
LIFT AND TURN COMPRESSION LATCH
LOCKING - NO CUP

DATE	DRAWN	CHKD	SCALE	DRAWING NUMBER
17DEC2007	CW	MJS	3:4	J-N2-2-101

REV	DATE	DRAWN/CHKD	DESCRIPTION	ITEM	PART NUMBER	MATERIAL	FINISH
A	29OCT2008	JSS	PRN:P2008-1172	ASSEMBLY (STEEL)	N2-2-101-01-XX	-	SEE FINISH TABLE
B	13APR2009	ACH/MJS	PRN:P2009-0429	HANDLE		ALUMINUM	SEE FINISH TABLE
C	28OCT2010	RMD/LBT	PRN:P2010-0818	LOCK PLATE		STAINLESS STEEL	SEE FINISH TABLE
D	04MAY2018	CMS/MWD	PRN: P2018-1101	SLEEVE		STAINLESS STEEL	PASSIVATED
				SLEEVE NUT		STAINLESS STEEL	PASSIVATED
				TAB WASHER		STAINLESS STEEL	PASSIVATED
				SHAFT		STAINLESS STEEL	PASSIVATED
				RIVET PIN		STAINLESS STEEL	PASSIVATED
				SPRING		STAINLESS STEEL	PASSIVATED
				BRASS WEAR WASHER		BRASS	NATURAL
				STOP PIN		STAINLESS STEEL	PASSIVATED
				LOCKPLUG/CLIP		SEE NOTE A	SEE NOTE A
				M12 HEX NUT (2)		STEEL	ZINC ALLOY PLATE BRIGHT CHRC
				M12 LOCKWASHER (2)		STAINLESS STEEL	PASSIVATED
				LUBRICANT		SEE NOTE C	BLACK
				KEYS, CH751 (2)		BRASS	NICKEL PLATED
				M12 PAWL WASHER (2)		STAINLESS STEEL	PASSIVATED

MILLIMETERS

ALL DIMENSIONS WITHOUT TOLERANCES ARE FOR REFERENCE ONLY.



THIRD ANGLE PROJECTION

A3 PAPER SIZE

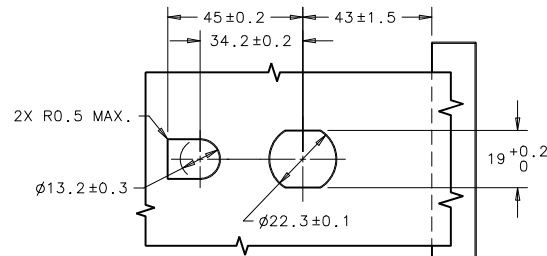
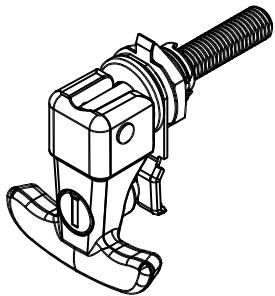
AVAILABLE GRIP RANGES
STANDARD PAWLS (SOLD SEPARATELY)

PART NUMBER	GRIP RANGE	PAWL TYPE
N2-21-101-YY	0 - 15	DEEP OFFSET
N2-21-102-YY	15 - 30	OFFSET
N2-21-103-YY	30 - 45	FLAT
N2-21-102-YY	45 - 60	OFFSET
N2-21-101-YY	60 - 75	DEEP OFFSET

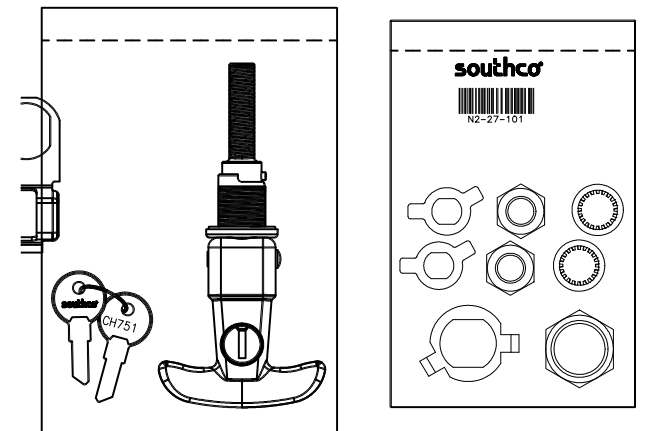
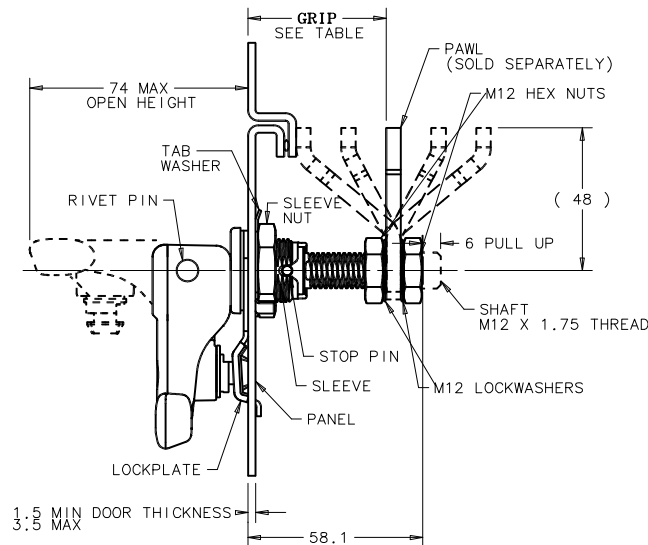
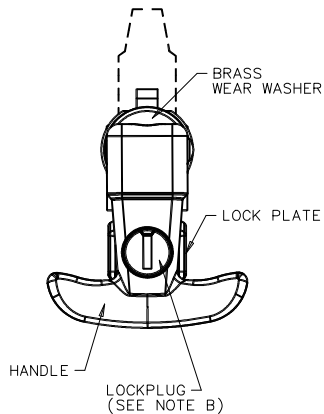
MATERIAL		FINISH TABLE	
-YY	MATERIAL	-XX	FINISH
-12	STEEL	-5	BLACK POWDER COATED
-24	STAINLESS STEEL		

NOTES:

- LOCKPLUG MATERIAL AND FINISH: LOCKPLUG: DIE CAST ZINC, CHROMATE FINISH SCALP AND DUST SHUTTER: STAINLESS STEEL
- LOCK TO FUNCTION WITH KEY CODE CH751.
- LUBRICANT MATERIAL: OIL BASED GREASE WITH MOLYBDENUM DISULFIDE ADDITIVES.
- ASSEMBLY INSTRUCTIONS:
 - INSTALL THE LOCK PLATE INTO THE D-HOLE AND TILT DOWN INTO POSITION (THE DOUBLE D HOLE SHOULD BE IN LINE WITH THE PANEL).
 - INSERT THE HANDLE SUB-ASSEMBLY THROUGH THE LOCK PLATE AND THE PANEL.
 - INSTALL THE TAB WASHER THEN THE SLEEVE NUT OVER THE SLEEVE.
 - TIGHTEN THE SLEEVE NUT TO 25 N·m (MAX) THEN BEND THE TWO TABS OVER THE NUT.
 - INSTALL THE FIRST M12 HEX NUT, M12 WASHER, THEN PAWL, AND THE SECOND WASHER AND HEX NUT ONTO THE SHAFT.
 - IF USING M12 PAWL WASHERS: REPLACE M12 LOCKWASHERS WITH M12 PAWL WASHERS.
 - ADJUST THE PAWL AND LOCK NUTS ACCORDINGLY
 - IF USING M12 PAWL WASHERS: AFTER ADJUSTING PAWL AND LOCK NUTS, BEND TABS OVER M12 LOCK NUTS AND TIGHTEN TO 20-25 N·m (MAX).
- PACKAGING: LATCH AND HARDWARE PACK IS PACKAGED IN PLASTIC BAG, PACKED TOGETHER IN SMALL CARDBOARD BOX. 18 ASSEMBLIES PER CARDBOARD CONTAINER. WHEN ORDERING, SPECIFY QTY. IN MULTIPLES OF 16.



PANEL PREPARATION
(SCALE 1:2)



PACKAGING

southco

PROPRIETARY ITEM - EXCEPT FOR USES EXPRESSLY GRANTED IN WRITING INFORMATION DISCLOSED HEREON IS CONFIDENTIAL AND ALL RIGHTS PATENT AND OTHERWISE ARE RESERVED BY SOUTHCO, INC.

LIFT AND TURN COMPRESSION LATCH
LOCKING - NO CUP

DATE	DRAWN	CHKD	SCALE	DRAWING NUMBER
17DEC2007	CW	MJS	3:4	J-N2-2-101

REV	DATE	DRAWN/CHKD	DESCRIPTION	ITEM	PART NUMBER	MATERIAL	FINISH
A	29OCT2008	JSS	PRN:P2008-1172	ASSEMBLY (SS)	N2-2-101-01-XX	- - -	SEE FINISH TABLE
B	13APR2009	ACH/MJS	PRN:P2009-0429	HANDLE		STAINLESS STEEL	SEE FINISH TABLE
C	28OCT2010	RMD/LBT	PRN:P2010-0818	LOCK PLATE		STAINLESS STEEL	SEE FINISH TABLE
D	04MAY2018	CMS/MWD	PRN: P2018-1101	SLEEVE		STAINLESS STEEL	PASSIVATED
				SLEEVE NUT		STAINLESS STEEL	PASSIVATED
				TAB WASHER		STAINLESS STEEL	PASSIVATED
				SHAFT		STAINLESS STEEL	PASSIVATED
				RIVET PIN		STAINLESS STEEL	PASSIVATED
				SPRING		STAINLESS STEEL	PASSIVATED
				BRASS WEAR WASHER		BRASS	NATURAL
				STOP PIN		STAINLESS STEEL	PASSIVATED
				LOCKPLUG/CLIP		SEE NOTE A	SEE NOTE A
				M12 HEX NUT (2)		STEEL	ZINC ALLOY PLATE BRIGHT CHROMATE
				M12 LOCKWASHER (2)		STAINLESS STEEL	PASSIVATED
				LUBRICANT		SEE NOTE C	BLACK
				KEYS, CH751 (2)		BRASS	NICKEL PLATED
				M12 PAWL WASHER (2)		STAINLESS STEEL	PASSIVATED

AVAILABLE GRIP RANGES
STANDARD PAWLS (SOLD SEPARATELY)

PART NUMBER	GRIP RANGE	PAWL TYPE
N2-21-101-YY	0 - 15	DEEP OFFSET
N2-21-102-YY	15 - 30	OFFSET
N2-21-103-YY	30 - 45	FLAT
N2-21-102-YY	45 - 60	OFFSET
N2-21-101-YY	60 - 75	DEEP OFFSET

MATERIAL		FINISH TABLE	
-YY	MATERIAL	-XX	FINISH
-12	STEEL	-20	POLISHED STAINLESS STEEL
-24	STAINLESS STEEL		

MILLIMETERS

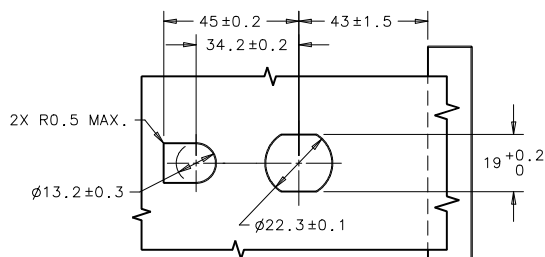
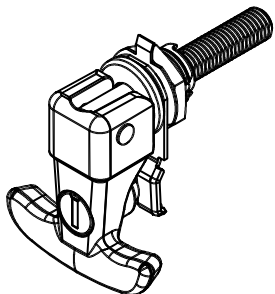
ALL DIMENSIONS WITHOUT TOLERANCES ARE FOR REFERENCE ONLY.



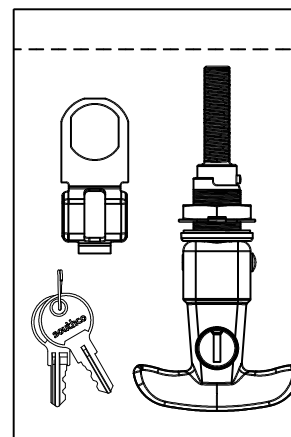
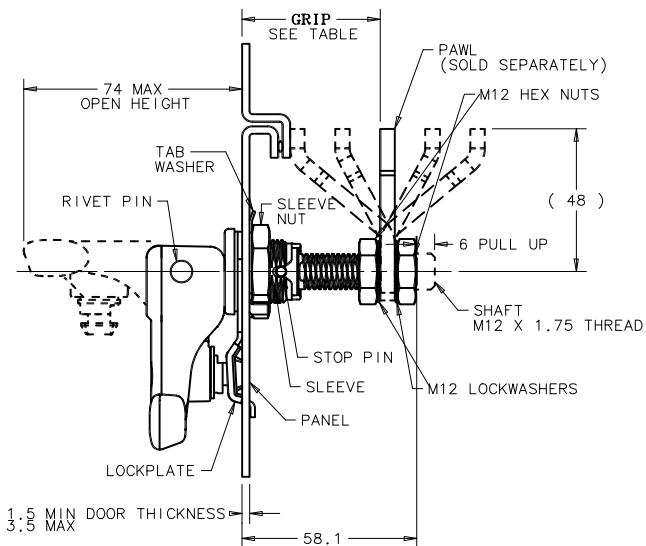
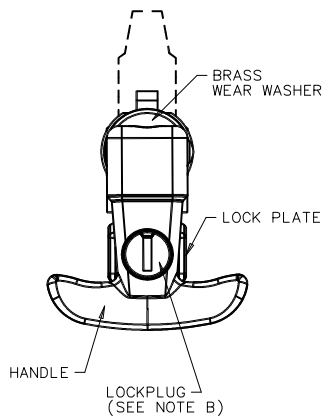
NOTES:

2 OF 2

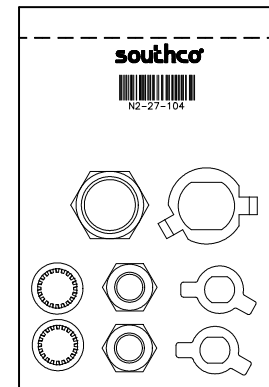
- A. LOCKPLUG MATERIAL AND FINISH: LOCKPLUG: DIE CAST ZINC, CHROMATE FINISH
SCALP AND DUST SHUTTER: STAINLESS STEEL
- B. LOCK TO FUNCTION WITH KEY CODE CH751.
- C. LUBRICANT MATERIAL: OIL BASED GREASE WITH MOLYBDENUM DISULFIDE ADDITIVES.
- D. ASSEMBLY INSTRUCTIONS:
 1. INSTALL THE LOCK PLATE INTO THE D-HOLE AND TILT DOWN INTO POSITION (THE DOUBLE-D HOLE SHOULD BE IN LINE WITH THE PANEL).
 2. INSERT THE HANDLE SUB-ASSEMBLY THROUGH THE LOCK PLATE AND THE PANEL.
 3. INSTALL THE TAB WASHER THEN THE SLEEVE NUT OVER THE SLEEVE.
 4. TIGHTEN THE SLEEVE NUT TO 25 N·m (MAX) THEN BEND THE TWO TABS OVER THE NUT.
 5. INSTALL THE FIRST M12 HEX NUT, M12 WASHER, THEN PAWL, AND THE SECOND WASHER AND HEX NUT ONTO THE SHAFT.
 - 5A. IF USING M12 PAWL WASHERS: REPLACE M12 LOCKWASHERS WITH M12 PAWL WASHERS.
 6. ADJUST THE PAWL AND LOCK NUTS ACCORDINGLY.
 - 6A. IF USING M12 PAWL WASHERS: AFTER ADJUSTING PAWL AND LOCK NUTS BEND TABS OVER M12 LOCK NUTS AND TIGHTEN TO 20-25 N·m (MAX).
- E. PACKAGING: LATCH AND HARDWARE PACK IS PACKAGED IN PLASTIC BAG. PACKED TOGETHER IN SMALL CARDBOARD BOX. 18 ASSEMBLIES PER CARDBOARD CONTAINER. WHEN ORDERING, SPECIFY QTY. IN MULTIPLES OF 16.



PANEL PREPARATION
(SCALE 1:2)



PACKAGING



southco

PROPRIETARY ITEM - EXCEPT FOR USES EXPRESSLY GRANTED IN WRITING INFORMATION DISCLOSED HEREON IS CONFIDENTIAL AND ALL RIGHTS PATENT AND OTHERWISE ARE RESERVED BY SOUTHCO, INC.

LIFT AND TURN COMPRESSION LATCH
LOCKING - NO CUP

DATE	DRAWN	CHKD	SCALE	DRAWING NUMBER
17DEC2007	CW	MJS	3:4	J-N2-2-101

REV	DATE	DRAWN/CHKD	DESCRIPTION	ITEM	PART NUMBER	MATERIAL	FINISH
A	29OCT2008	JSS	PRN:P2008-1172	ASSEMBLY (SS)	N2-2-101-01-XX	- - -	SEE FINISH TABLE
B	13APR2009	ACH/MJS	PRN:P2009-0429	HANDLE		STAINLESS STEEL	SEE FINISH TABLE
C	28OCT2010	RMD/LBT	PRN:P2010-0818	LOCK PLATE		STAINLESS STEEL	SEE FINISH TABLE
D	04MAY2018	CMS/MWD	PRN: P2018-1101	SLEEVE		STAINLESS STEEL	PASSIVATED
				SLEEVE NUT		STAINLESS STEEL	PASSIVATED
				TAB WASHER		STAINLESS STEEL	PASSIVATED
				SHAFT		STAINLESS STEEL	PASSIVATED
				RIVET PIN		STAINLESS STEEL	PASSIVATED
				SPRING		STAINLESS STEEL	PASSIVATED
				BRASS WEAR WASHER		BRASS	NATURAL
				STOP PIN		STAINLESS STEEL	PASSIVATED
				LOCKPLUG/CLIP		SEE NOTE A	SEE NOTE A
				M12 HEX NUT (2)		STEEL	ZINC ALLOY PLATE BRIGHT CHROMATE
				M12 LOCKWASHER (2)		STAINLESS STEEL	PASSIVATED
				LUBRICANT		SEE NOTE C	BLACK
				KEYS, CH751 (2)		BRASS	NICKEL PLATED
				M12 PAWL WASHER (2)		STAINLESS STEEL	PASSIVATED

AVAILABLE GRIP RANGES
STANDARD PAWLS (SOLD SEPARATELY)

PART NUMBER	GRIP RANGE	PAWL TYPE
N2-21-101-YY	0 - 15	DEEP OFFSET
N2-21-102-YY	15 - 30	OFFSET
N2-21-103-YY	30 - 45	FLAT
N2-21-102-YY	45 - 60	OFFSET
N2-21-101-YY	60 - 75	DEEP OFFSET

MATERIAL		FINISH TABLE	
-YY	MATERIAL	-XX	FINISH
-12	STEEL	-20	POLISHED STAINLESS STEEL
-24	STAINLESS STEEL		

MILLIMETERS

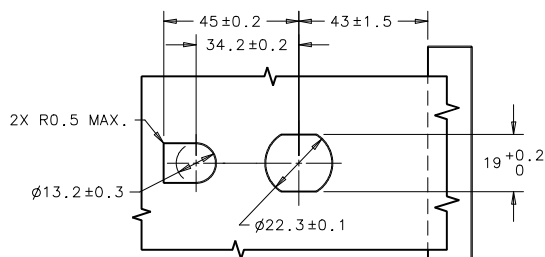
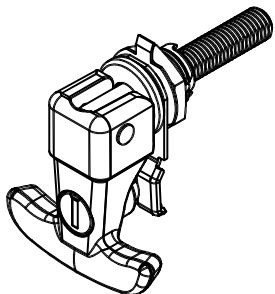
ALL DIMENSIONS WITHOUT TOLERANCES ARE FOR REFERENCE ONLY.



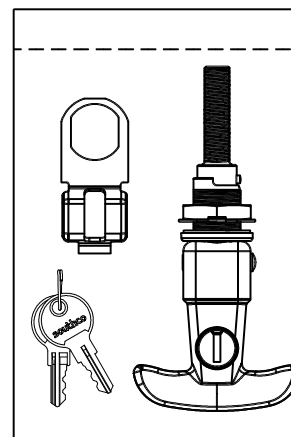
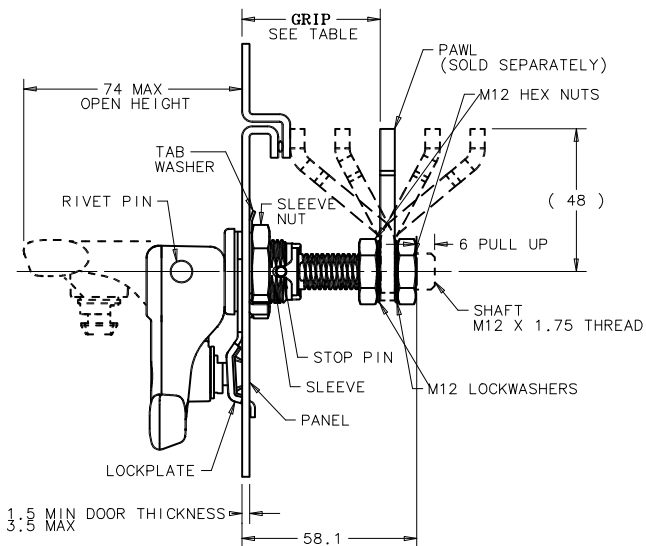
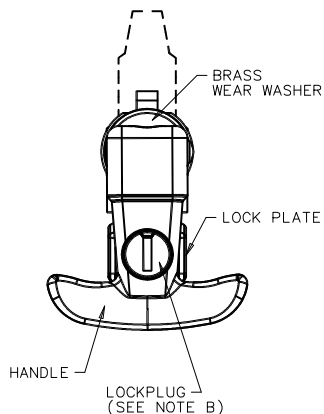
NOTES:

2 OF 2

- A. LOCKPLUG MATERIAL AND FINISH: LOCKPLUG: DIE CAST ZINC, CHROMATE FINISH
SCALP AND DUST SHUTTER: STAINLESS STEEL
- B. LOCK TO FUNCTION WITH KEY CODE CH751.
- C. LUBRICANT MATERIAL: OIL BASED GREASE WITH MOLYBDENUM DISULFIDE ADDITIVES.
- D. ASSEMBLY INSTRUCTIONS:
 1. INSTALL THE LOCK PLATE INTO THE D-HOLE AND TILT DOWN INTO POSITION (THE DOUBLE-D HOLE SHOULD BE IN LINE WITH THE PANEL).
 2. INSERT THE HANDLE SUB-ASSEMBLY THROUGH THE LOCK PLATE AND THE PANEL.
 3. INSTALL THE TAB WASHER THEN THE SLEEVE NUT OVER THE SLEEVE.
 4. TIGHTEN THE SLEEVE NUT TO 25 N·m (MAX) THEN BEND THE TWO TABS OVER THE NUT.
 5. INSTALL THE FIRST M12 HEX NUT, M12 WASHER, THEN PAWL, AND THE SECOND WASHER AND HEX NUT ONTO THE SHAFT.
 - 5A. IF USING M12 PAWL WASHERS: REPLACE M12 LOCKWASHERS WITH M12 PAWL WASHERS.
 6. ADJUST THE PAWL AND LOCK NUTS ACCORDINGLY.
 - 6A. IF USING M12 PAWL WASHERS: AFTER ADJUSTING PAWL AND LOCK NUTS BEND TABS OVER M12 LOCK NUTS AND TIGHTEN TO 20-25 N·m (MAX).
- E. PACKAGING: LATCH AND HARDWARE PACK IS PACKAGED IN PLASTIC BAG. PACKED TOGETHER IN SMALL CARDBOARD BOX. 18 ASSEMBLIES PER CARDBOARD CONTAINER. WHEN ORDERING, SPECIFY QTY. IN MULTIPLES OF 16.



PANEL PREPARATION
(SCALE 1:2)



PACKAGING

