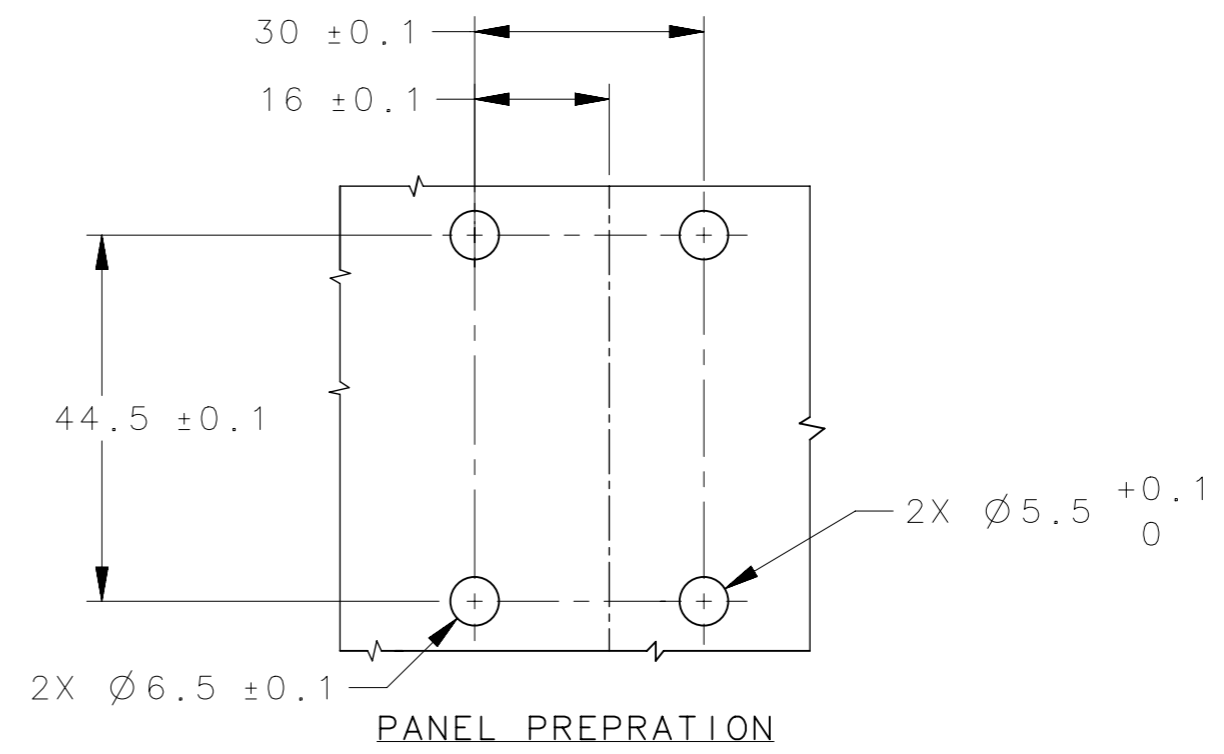
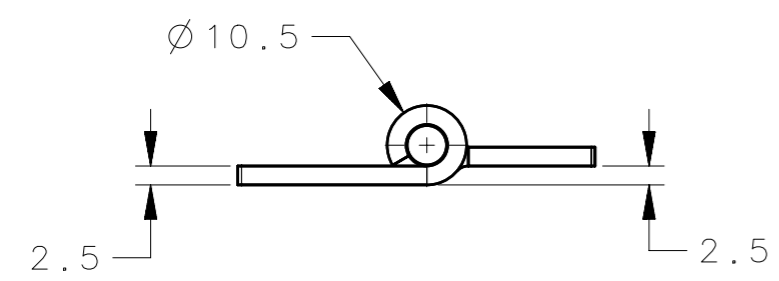
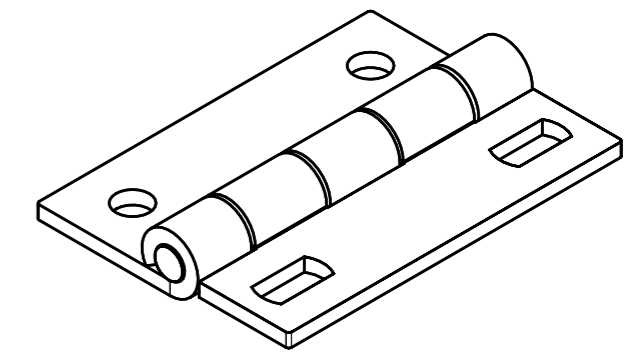
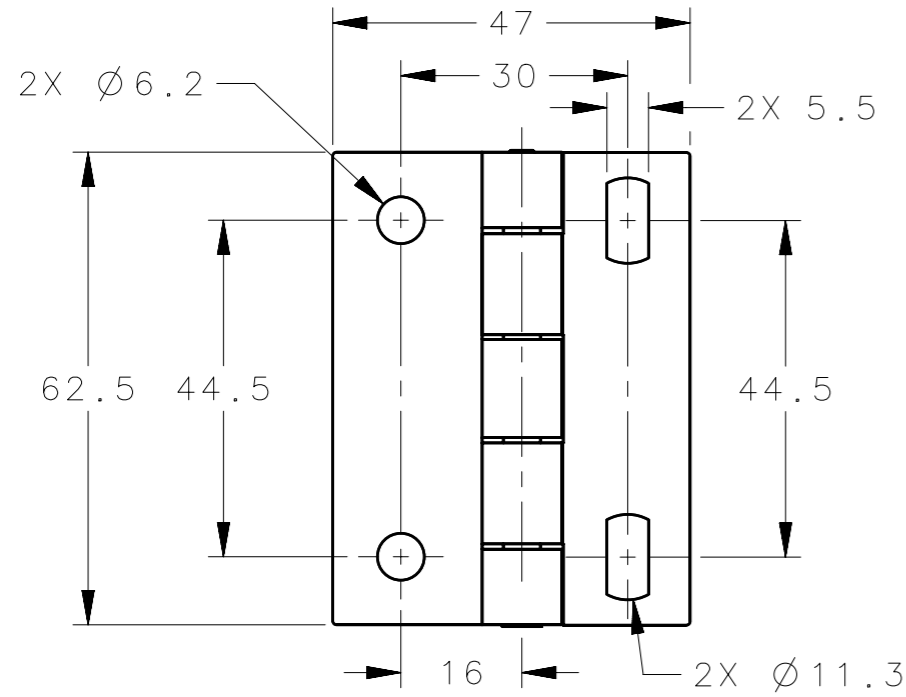


| REVISION HISTORY | | | |
|------------------|-----------|--------|-------------------|
| REV | DATE | BY | DESCRIPTION |
| A | 14AUG2024 | SBK/VK | IPN: IP-2024-1886 |



NOTES:-
 1. MOUNTING SCREWS NOT SUPPLIED.
 2. OPENING ANGLE 180°.

| | | | |
|--|---|---------------------------|-------------------|
| N6-DHIM-6348-SS | BUTT HINGE | SS-304 | ELECTRO POLISHING |
| N6-DHIM-6348 | BUTT HINGE | MS | BLUE ZINC PLATED |
| SOUTHCO PART NUMBER | DESCRIPTION | MATERIAL | FINISH |
| CPB NUMBER 2024-0352 | THIRD ANGLE PROJECTION | | |
| | MILLIMETERS [IN] | | |
| SURFACE AREA mm ² | TOLERANCES UNLESS OTHERWISE NOTED | DESCRIPTION BUTT HINGE | |
| VOLUME mm ³ | ALL DIMENSIONS WITHOUT TOLERANCES ARE FOR REFERENCE ONLY. | SIZE A3 | SYSTEM NX |
| PROPRIETARY ITEM EXCEPT FOR USES EXPRESSLY GRANTED IN WRITING, INFORMATION DISCLOSED HEREON IS CONFIDENTIAL AND ALL RIGHTS, PATENT AND OTHERWISE, ARE RESERVED BY SOUTHCO, INC. | PER ASME Y14.5M-2009 | DWG NO. J-N6-DHIM-6348 | DATE 11JUL2024 |
| | | DRAWN BY SBK | SCALE 1:1 |
| | | | SHEET 1 OF 1 |