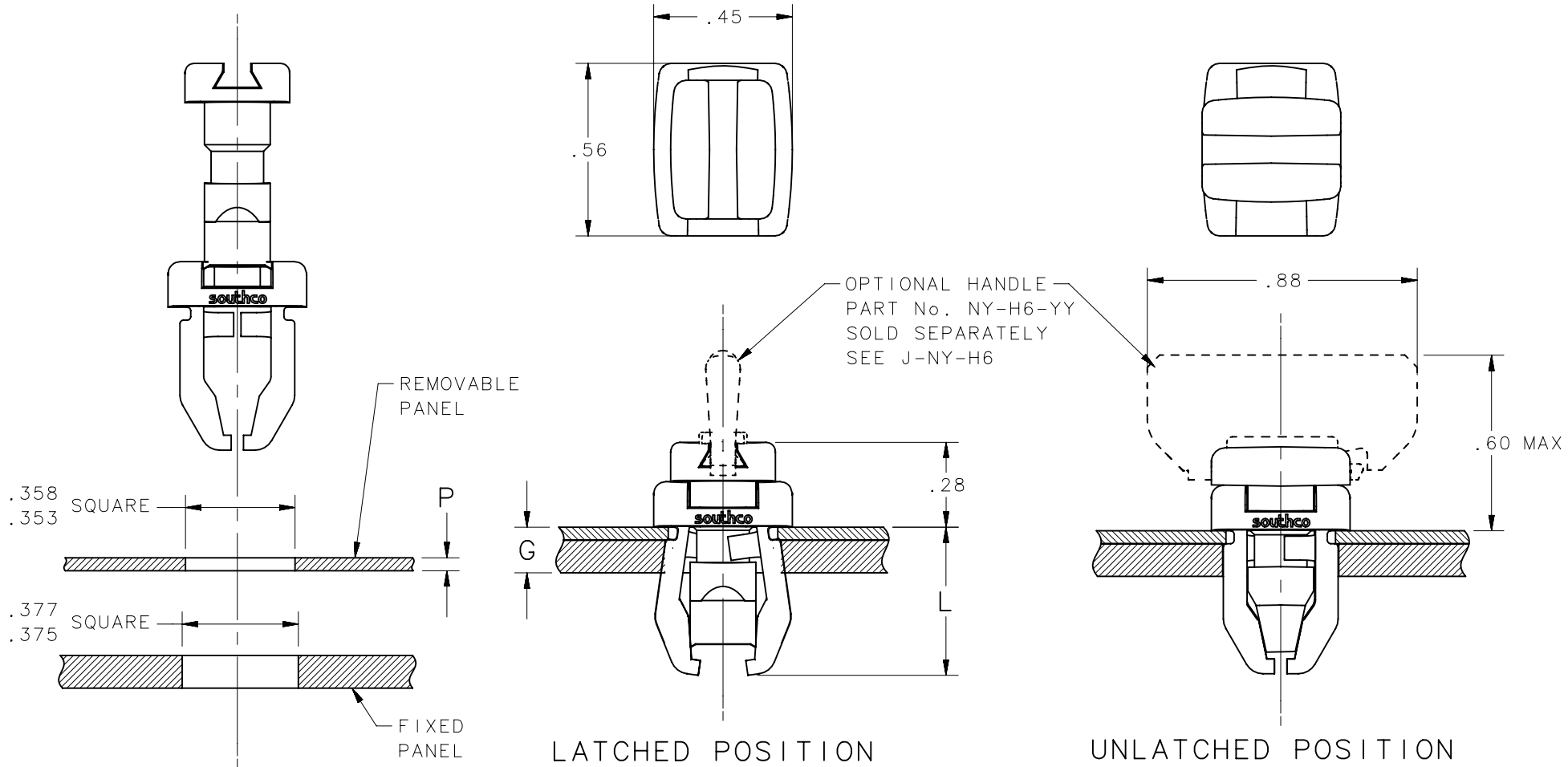


NOTES:

A. CORNER RADII ON SQUARE HOLES TO BE R.015 MAX.

REVISION HISTORY			
REV	DATE	BY	DESCRIPTION
C	30APR2019	CMS/CTG	PRN: P2019-1127



PART NUMBER	G		P <sub>MAX</sub>	L <sub>MAX</sub>
	MIN	MAX		
NY-N6-1-YY	.059	.148	.042	.50
NY-N6-2-YY	.076	.165	.057	.51
NY-N6-3-YY	.118	.207	.098	.55
NY-N6-4-YY	.182	.271	.162	.62

YY	COLOR AND MATERIAL
10	WHITE POLYCARBONATE (UL94VO)
20	BLACK POLYCARBONATE (UL94VO)

THIRD ANGLE PROJECTION	
INCHES [MM]	
TOLERANCES UNLESS OTHERWISE NOTED	
ALL DIMENSIONS WITHOUT TOLERANCES ARE FOR REFERENCE ONLY.	
PER ASME Y14.5M-1994	

<b>southco</b> <sup>®</sup>			
CONNECT • CREATE • INNOVATE			
DESCRIPTION NYLATCH™ PANEL FASTENER 1/4-TURN			
SIZE A	SYSTEM NX	DWG NO. J-NY-N6	
DRAWN BY TMS/	DATE 26AUG2008	SCALE 2:1	SHEET 1 of 1

PROPRIETARY ITEM  
EXCEPT FOR USES EXPRESSLY GRANTED  
IN WRITING, INFORMATION DISCLOSED  
HEREON IS CONFIDENTIAL AND ALL  
RIGHTS, PATENT AND OTHERWISE,  
ARE RESERVED BY SOUTHCO, INC.