

DATE	DRAWN	CHKD	SCALE	DRAWING NUMBER
22DEC95	JSS	CRS	0.75:1	J-P1-3

REV.	DATE	BY-CHKD	REVISIONS	PART NUMBER	MATERIAL	PART NUMBER	MATERIAL	PANEL THICKNESS
A	05MAR2009	ACH / MJS	PRN: P2009-0274	P1-30-101-XX	ABS, UL94-HB	P1-31	ABS, UL94-V0	1 MIN.-1.8 MAX.
B	16NOV2017	CMS / JW	PRN: P2017-2676	P1-30-103-XX	ABS, UL94-HB	P1-33	ABS, UL94-V0	1.8 MIN.-3.3 MAX.
				P1-30-105-XX	ABS, UL94-HB	P1-35	ABS, UL94-V0	3.3 MIN.-4.8 MAX.
				P1-30-107-XX	ABS, UL94-HB	P1-37	ABS, UL94-V0	4.8 MIN.-6.3 MAX.

PART NUMBER LEGEND

- XX EQUALS COLOR OF ABS MATERIAL.
- 03 = MEDIUM GRAY
- 04 = LIGHT GRAY
- 11 = BLACK
- 30 = KODAK IMAGE LIGHT GRAY

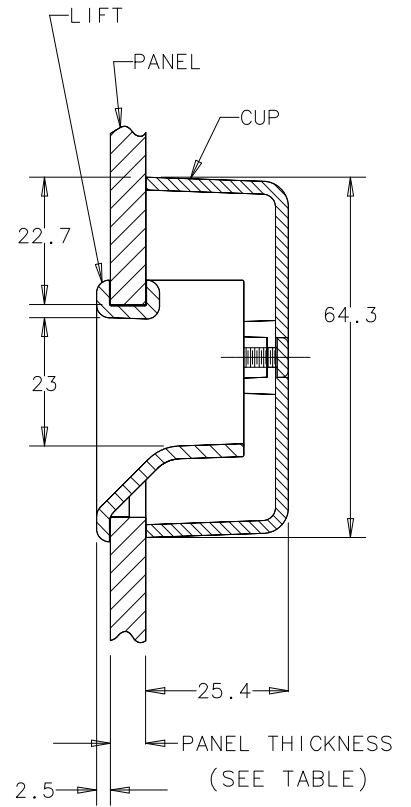
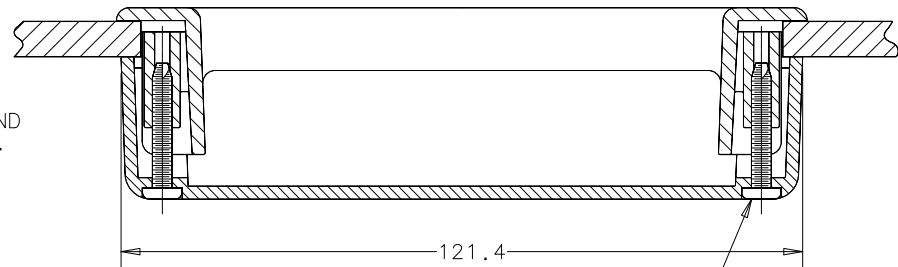
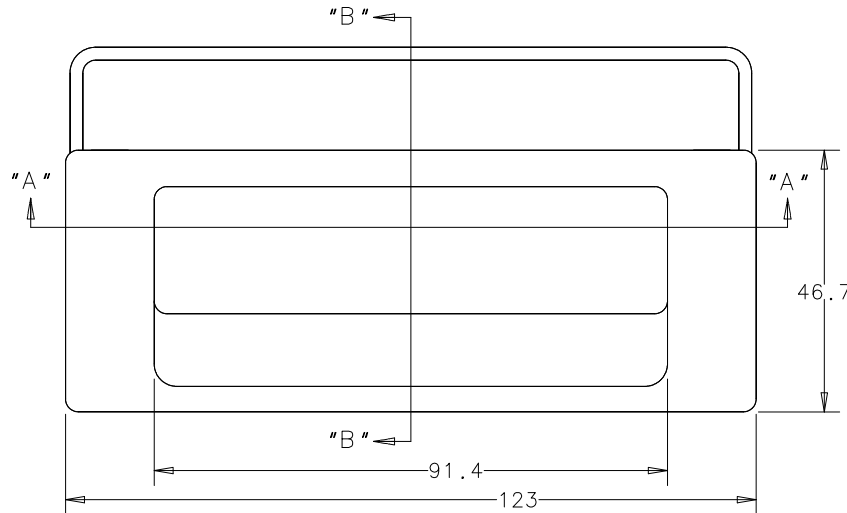
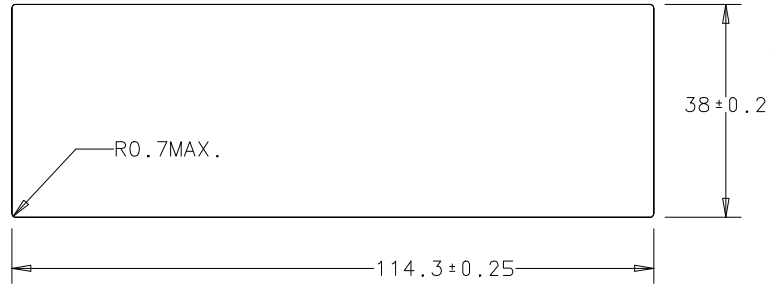
NOTE: ADD THE ABOVE -XX NUMBER TO THE ABS, UL94-V0 MATERIAL PART No. FOR ANY COLORS OTHER THAN BLACK.

MATERIAL AND FINISH

LIFT AND CUP - SEE ABOVE TABLE
MOUNTING SCREWS - STEEL, ZINC PLATED PLUS BRIGHT CHROMATE DIP.

INSTALLATION INSTRUCTIONS

1. PREPARE A RECTANGULAR HOLE AS SHOWN.
2. INSERT LIFT INTO THE PANEL, SEATING THE SLOT AGAINST THE TOP OPENING.
3. ATTACH THE CUP TO THE BACK OF THE LIFT AND PANEL USING THE SUPPLIED MOUNTING SCREWS.
4. MAX RECOMMENDED SCREW TIGHTENING TORQUE IS 0.56 N-m [5 in-lbf].



SECTION "B-B"

No. 6 BT SELF-TAPPING SCREWS (2 SUPPLIED)