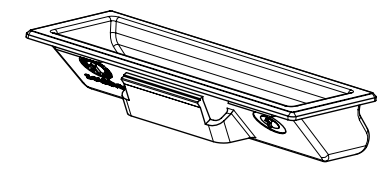
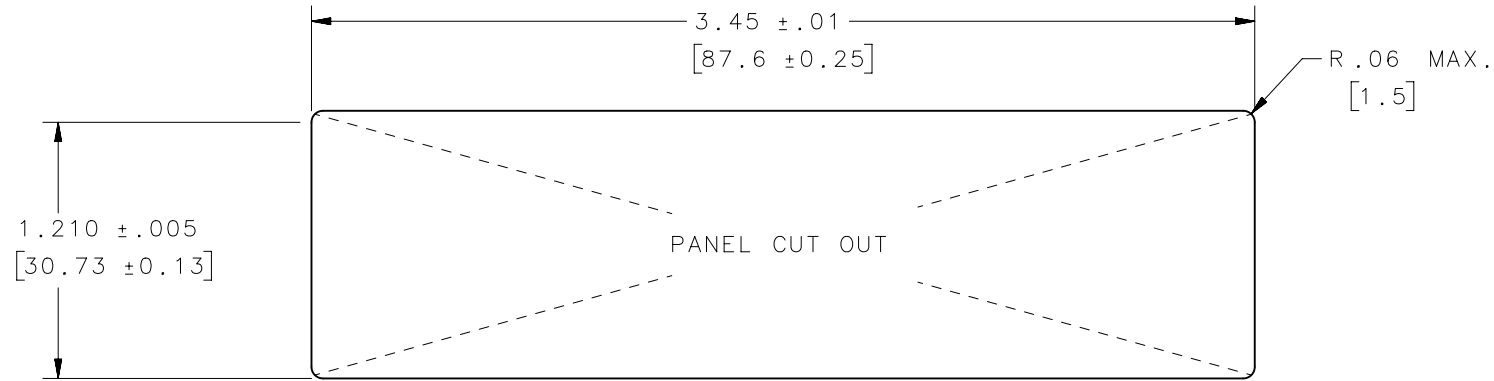
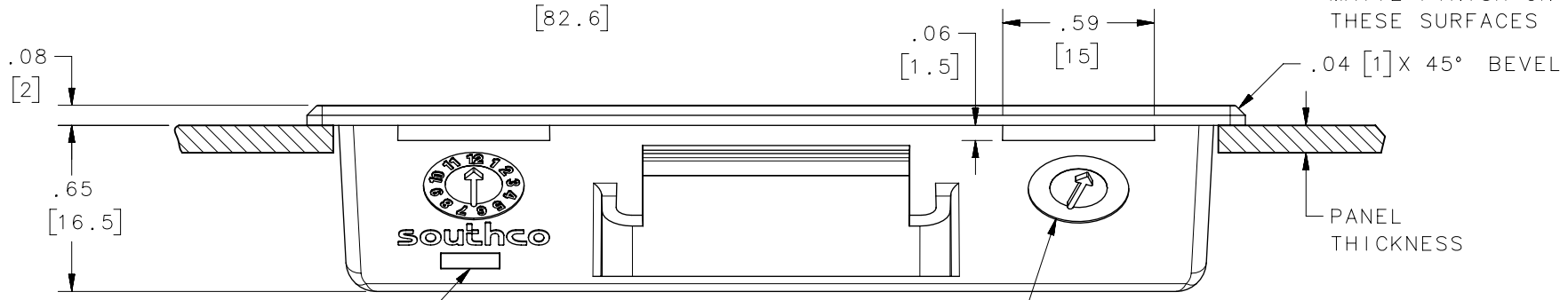
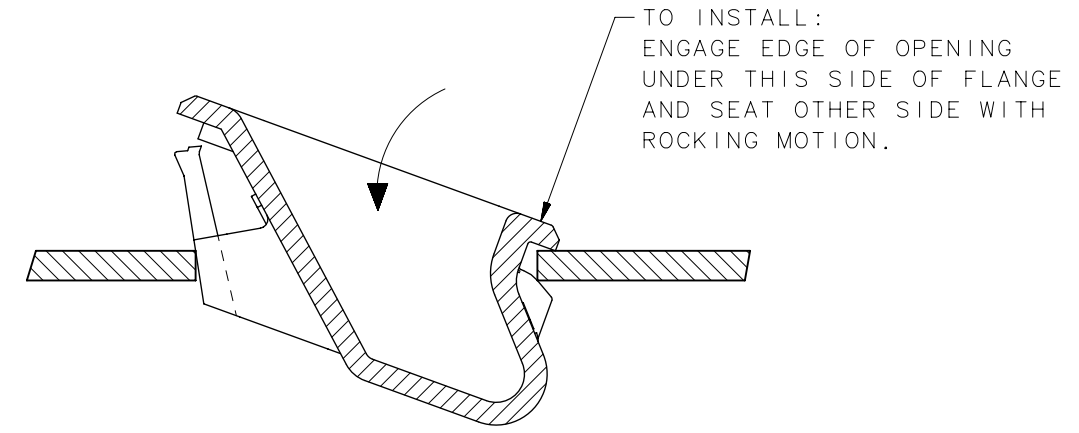
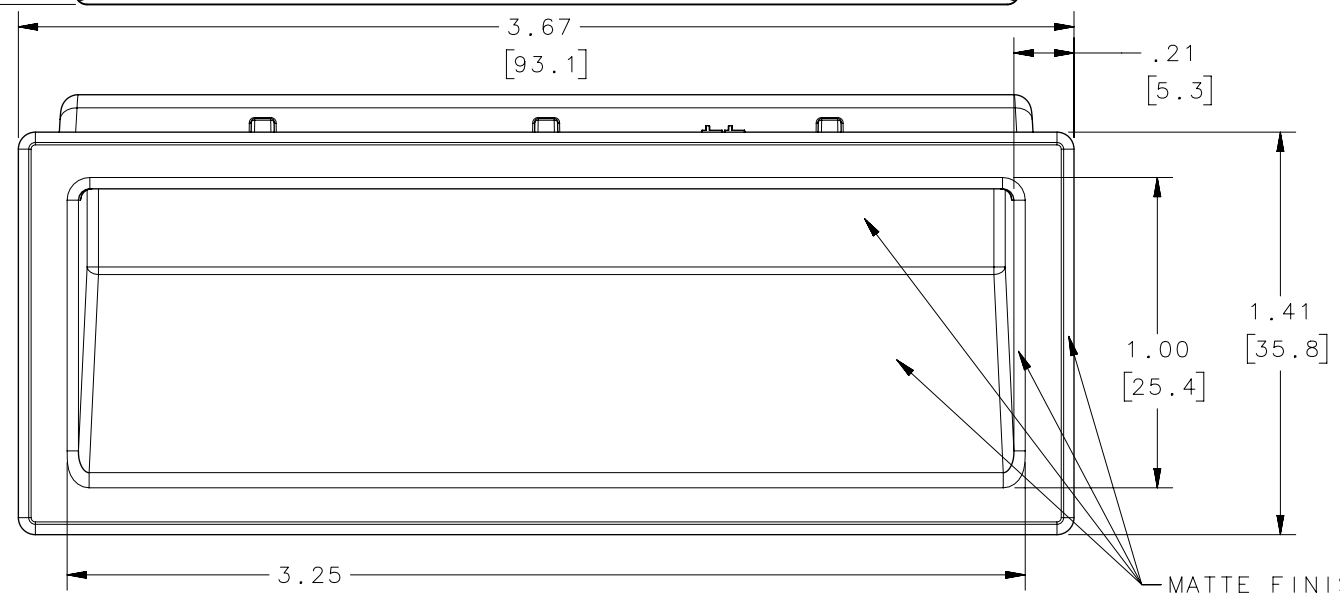


| REVISION HISTORY | | | |
|------------------|-----------|---------|-----------------|
| REV | DATE | BY | DESCRIPTION |
| J | 05SEP2022 | CRM/DMS | PRN: P2022-1571 |



SCALE 1:2

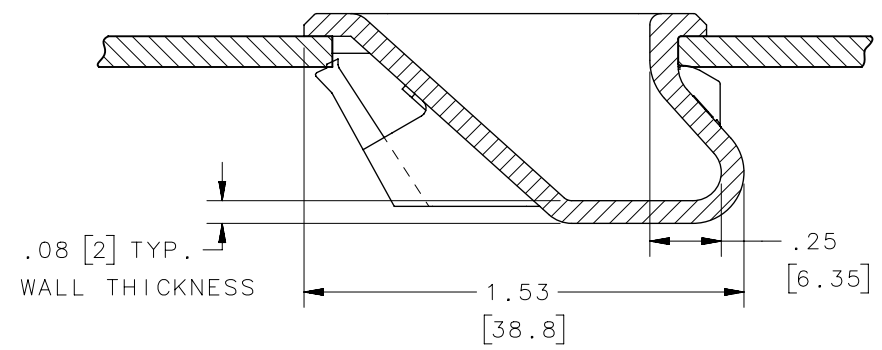


MATTE FINISH ON THESE SURFACES

PANEL THICKNESS

COUNTRY OF ORIGIN (COO) IN 1.5 [.06] HIGH RAISED LETTERS
 "CN" = CHINA
 "UK" = UNITED KINGDOM
 "US" = UNITED STATES

MATERIAL I.D. MARK 1.5 [.06] HIGH RAISED LETTERS
 >ABS< SHOWN AS AN EXAMPLE.



| | | | | | |
|-----------------|--------------|---------|-----------------|------|------|
| P2-44 | ABS, UL94-HB | P2-44-1 | PC/ABS, UL94-V0 | .085 | .100 |
| P2-43 | ABS, UL94-HB | P2-43-1 | PC/ABS, UL94-V0 | .070 | .085 |
| P2-42 | ABS, UL94-HB | P2-42-1 | PC/ABS, UL94-V0 | .055 | .070 |
| P2-41 | ABS, UL94-HB | P2-41-1 | PC/ABS, UL94-V0 | .040 | .055 |
| | | | | MIN. | MAX. |
| PANEL THICKNESS | | | | | |

NOTES:
 A. COLOR. LOW GLOSS BLACK.
 B. PULL IS SHIPPED BULK.
 C. FOR PULL TO BE PACKAGED ONE PER BAG. ADD SUFFIX "-P" TO THE PART NUMBER.

| | | | | | |
|---|--|--|-------------------|-------------------|-----------------|
| THIRD ANGLE PROJECTION | | southco [®] CONNECT • CREATE • INNOVATE | | | |
| INCHES [MM] | | | | | |
| TOLERANCES UNLESS OTHERWISE NOTED | | DESCRIPTION SNAP-IN POCKET PULL [®] , SMALL | | | |
| ALL DIMENSIONS WITHOUT TOLERANCES ARE FOR REFERENCE ONLY. | | SIZE B | SYSTEM NX | DWG NO. J-P2-4 | |
| PER ASME Y14.5M-1994 | | DRAWN BY PEK | DATE 15AUG1990 | SCALE 1.5:1 | SHEET 1 OF 1 |
| <small>PROPRIETARY ITEM EXCEPT FOR USES EXPRESSLY GRANTED IN WRITING, INFORMATION DISCLOSED HEREON IS CONFIDENTIAL AND ALL RIGHTS, PATENT AND OTHERWISE, ARE RESERVED BY SOUTHCO, INC.</small> | | | | | |