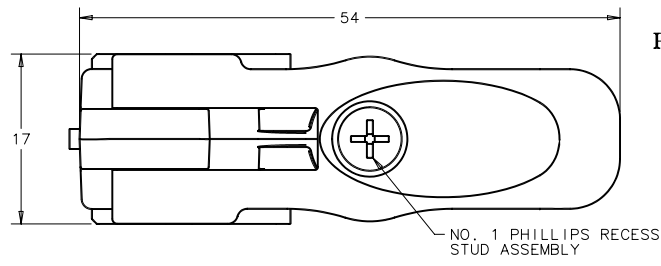


REV	DATE	DRAWN/CHKD	DESCRIPTION	DESCRIPTION	ITEM	MATERIAL	FINISH
I	29/JAN/2002	JRS/AJH	PRN: P2002-0009	HOUSING	SEE NOTE C	SEE NOTE C	SEE NOTE C
J	28/MAY/2003	RLLR/CHM	PRN: P2003-0416	LEVER	SEE NOTE C	SEE NOTE C	SEE NOTE C
K	02/DEC/2004	AJH/MDY	PRN: P2004-1384	RETAINING CLIP	STAINLESS STEEL	PASSIVATED	
				PIN	1010 STEEL	SEE NOTE A	
				PAWL	1050 STEEL	SEE NOTE A	
				SECONDARY CATCH	1008 STEEL	SEE NOTE A	
				STUD ASSEMBLY	STAINLESS STEEL	SEE NOTE A	
				RECEPTACLE	1010 STEEL	PASSIVATED	

A3 PAPER SIZE
 THIRD ANGLE PROJECTION

MILLIMETERS
 ALL DIMENSIONS WITHOUT TOLERANCES ARE FOR REFERENCE ONLY.

TOOL SECURED VERSION
PART No. P7-1-302-YZ

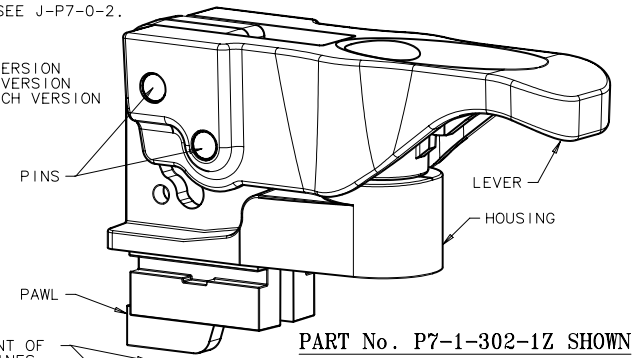


P7-1-3XX-YZ
 STYLE:
 PANEL THICKNESS
 MATERIAL & COLOR

NOTES:
 A. ZINC PLATE, CHROMATE PLUS SEALER.
 B. PACKAGING: LATCHES ARE SHIPPED BULK.
 C. FOR MATERIAL AND COLOR OPTIONS SEE J-P7-0-2.

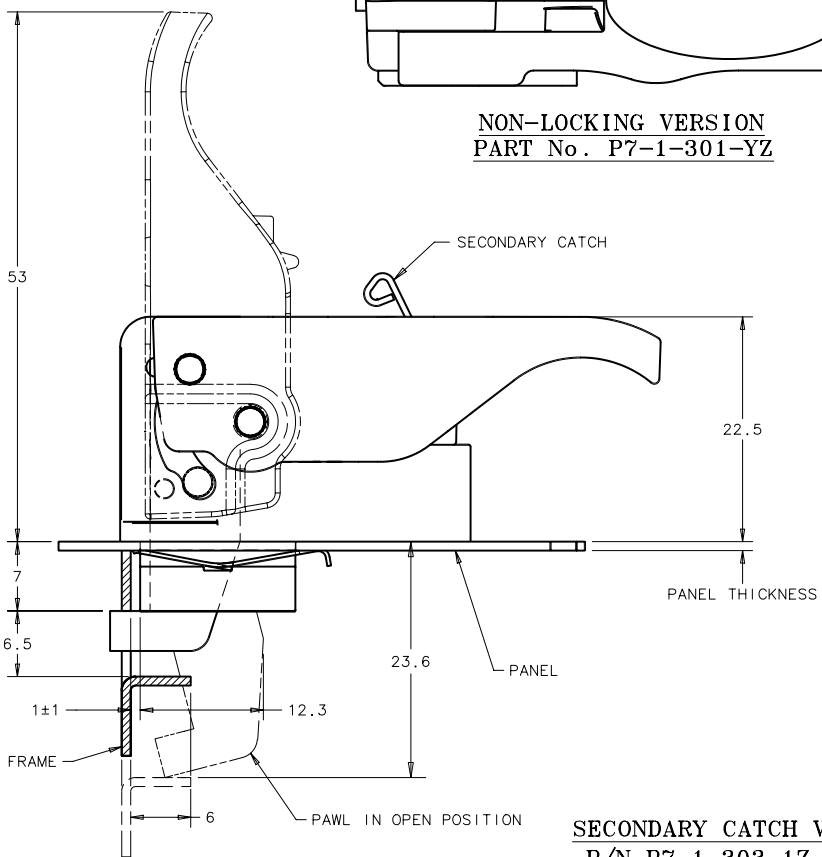
STYLE:
 01 = NON-LOCKING VERSION
 02 = TOOL SECURED VERSION
 03 = SECONDARY CATCH VERSION

PANEL THICKNESS:
 1 = 0.9 - 1.6
 2 = 1.7 - 2.4
 3 = 2.5 - 3.2



PART No. P7-1-302-1Z SHOWN

NON-LOCKING VERSION
PART No. P7-1-301-YZ



SECONDARY CATCH VERSION
P/N P7-1-303-1Z SHOWN

