



PROPRIETARY ITEM - EXCEPT FOR USES EXPRESSLY GRANTED IN WRITING INFORMATION DISCLOSED HEREON IS CONFIDENTIAL AND ALL RIGHTS PATENT AND OTHERWISE ARE RESERVED BY SOUTHCO, INC.


AMC LIGHTPIPE BRACKET FOR 2 LED

DATE	DRAWN	CHKD	SCALE	DRAWING NUMBER
17SEP2008	ACH	MJS	1:1	J-P7-11-81

REV	DATE	DRAWN/CHKD	DESCRIPTION	PART NUMBER	MODULE SIZE	DIM. A	DIM. B
A	17SEP2008	ACH/MJS	INITIAL DRAWING RELEASE	P7-11-811	COMPACT	12.50	13.88
				P7-11-812	MID SIZE	17.55	18.96
				P7-11-813	FULL SIZE	27.55	28.95

MILLIMETERS

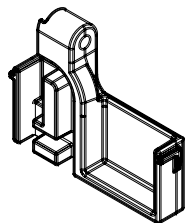
ALL DIMENSIONS WITHOUT TOLERANCES ARE FOR REFERENCE ONLY.



THIRD ANGLE PROJECTION

A4 PAPER SIZE

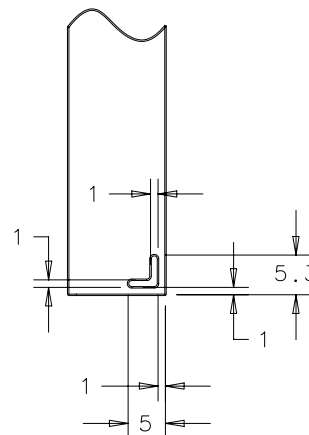
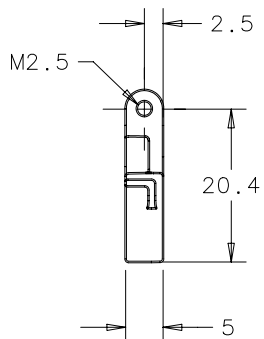
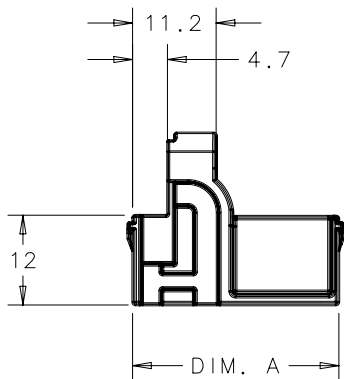
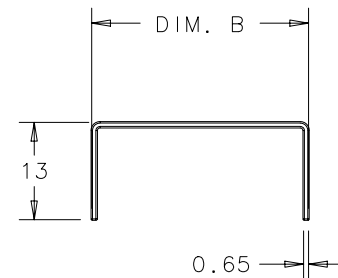
SHEET 1 OF 2



NOTES:

- A. MATERIAL AND FINISH:
 - HOUSING: DIE CAST ZINC, ZINC PLATE CHROMATE DIP
 - THIS ASSEMBLY IS RoHS COMPLIANT
- B. BRACKET MEETS SOUTHCO COSMETIC SPECIFICATION S-121-02 CLASS C (HOUSING)
- C. ALL PANEL PREPARATION TOLERANCES TO BE ± 0.1 .

FACEPLATE PREPARATION



southco®

PROPRIETARY ITEM - EXCEPT FOR USES EXPRESSLY GRANTED IN WRITING INFORMATION DISCLOSED HEREON IS CONFIDENTIAL AND ALL RIGHTS PATENT AND OTHERWISE ARE RESERVED BY SOUTHCO, INC.



AMC LIGHTPIPE BRACKET FOR 2 LED

DATE	DRAWN	CHKD	SCALE	DRAWING NUMBER
17SEP2008	ACH	MJS	1:1	J-P7-11-81

REV	DATE	DRAWN/CHKD	DESCRIPTION	PART NUMBER	MODULE SIZE	DIM. A	DIM. B
A	17SEP2008	ACH/MJS	INITIAL DRAWING RELEASE	P7-11-811	COMPACT	12.50	13.88
				P7-11-812	MID SIZE	17.55	18.96
				P7-11-813	FULL SIZE	27.55	28.95

MILLIMETERS

ALL DIMENSIONS WITHOUT TOLERANCES ARE FOR REFERENCE ONLY.

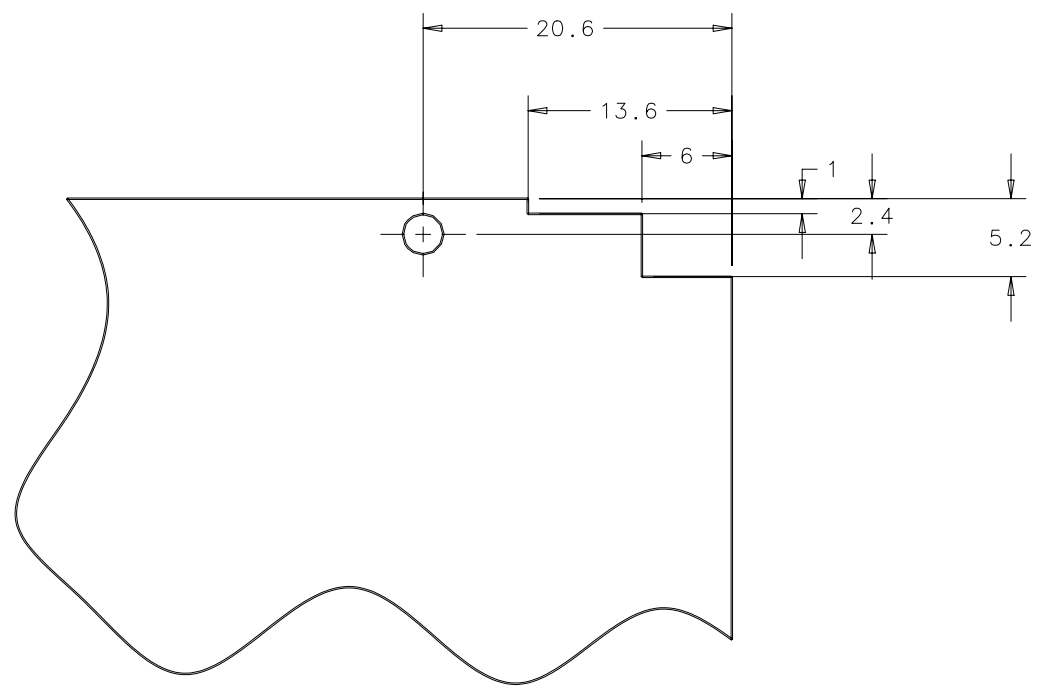



 THIRD ANGLE PROJECTION A4 PAPER SIZE

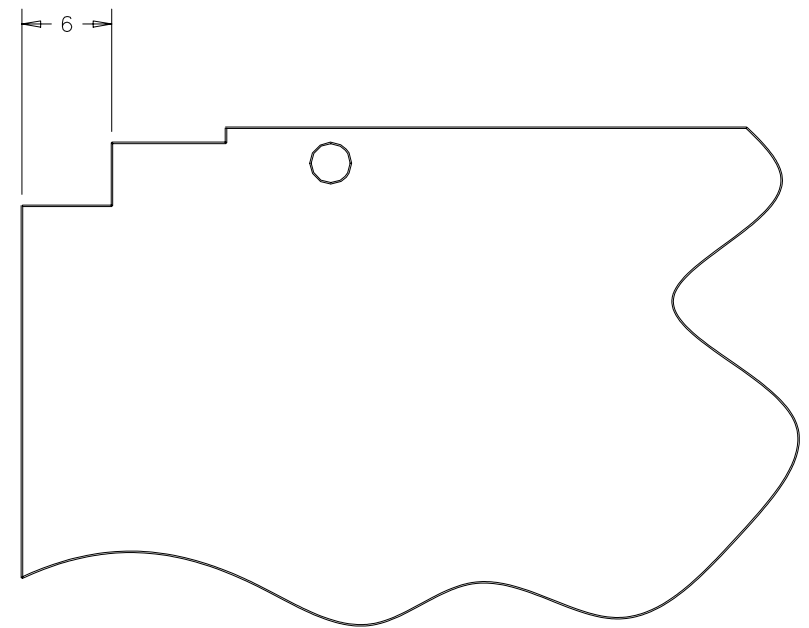
SHEET 2 OF 2

PRINTED CIRCUIT BOARD

ALL PANEL PREPARATION TOLERANCES TO BE ±0.1



COMPONENT SIDE 1
SCALE 2:1



COMPONENT SIDE 2
SCALE 2:1