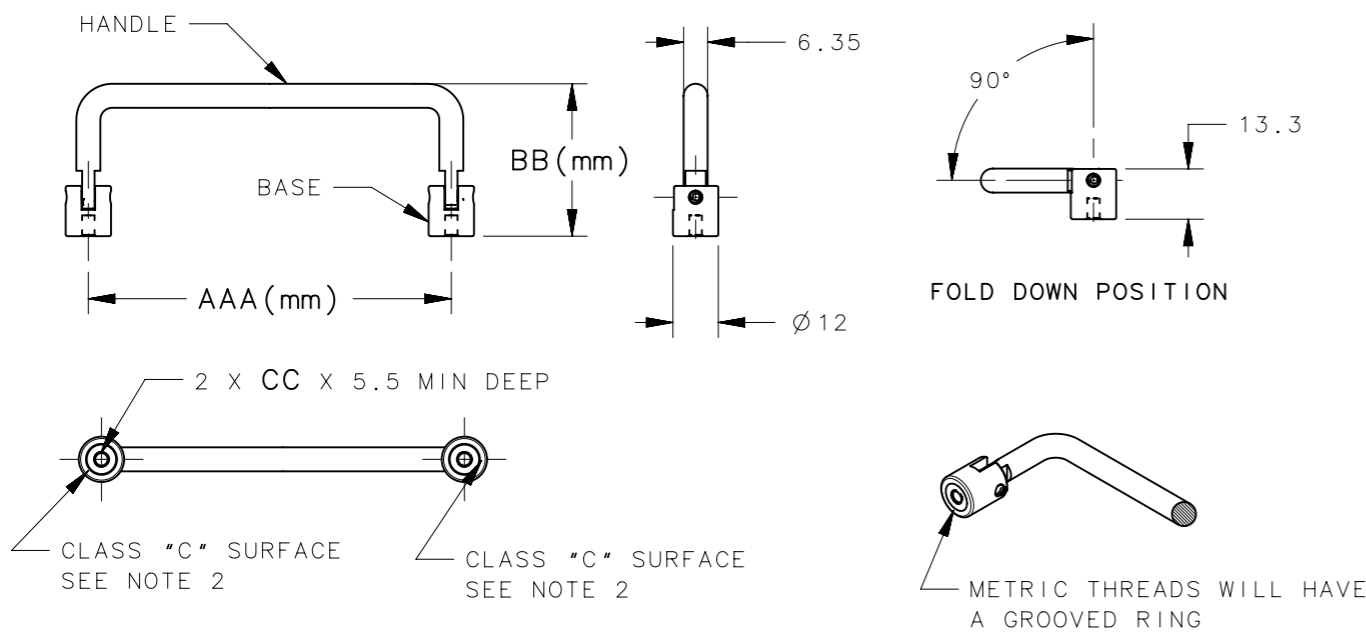
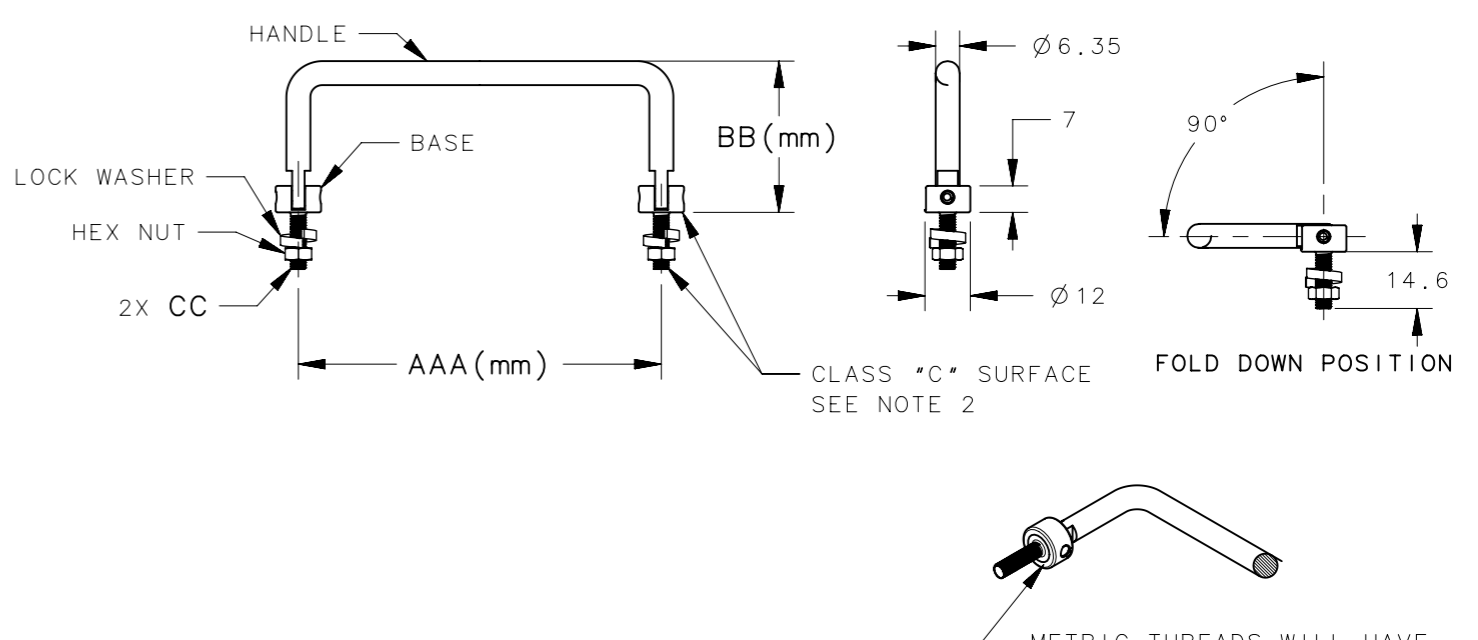


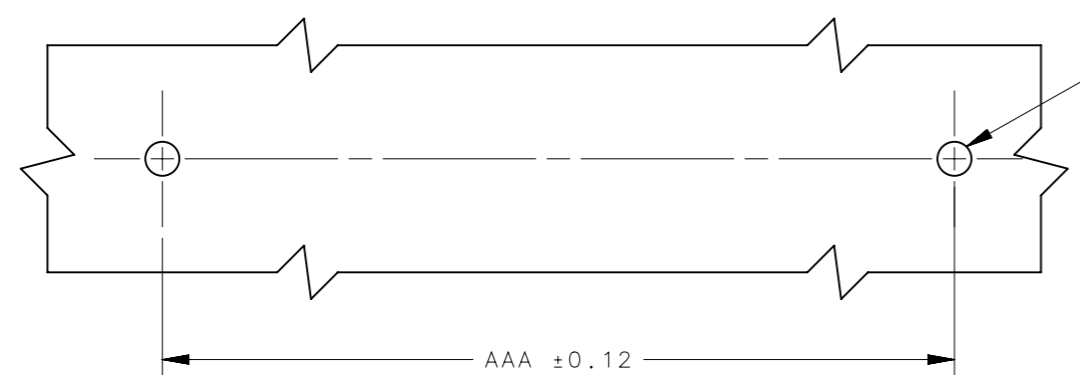
REVISION HISTORY			
REV	DATE	BY	DESCRIPTION
I	26MAR2024	SAK/DMS	PRN: P2024-0538



N-INTERNAL THREADED
MOUNTING SCREW LENGTH = PANEL THICKNESS + 5mm
MOUNTING HARDWARE NOT INCLUDED



X-EXTERNAL THREADED
PANEL THICKNESS = 8.5 MAX
MOUNTING HARDWARE INCLUDED - (2) HEX NUTS AND (2) LOCK WASHERS



- NOTES:-
- MATERIAL AND FINISH:**
HANDLE - SEE PART NUMBER -EE
BASE - SEE PART NUMBER -EE
BUSHING - NYLON, NATURAL
COILED PIN - NICKEL STAINLESS STEEL SAE 30302/30304, PASSIVATED
HEX NUT & LOCK WASHER - 300 SERIES STAINLESS STEEL, NATURAL
 - COSMETIC SPECIFICATION:**
ALL SURFACEES UNLESS OTHERWISE NOTED ARE TO CONFORM TO A CLASS "B" DESIGNATION AS DESCRIBED IN SOUTHCO COSMETIC SPECIFICATION.
S-121-016 FOR ANODIZED FINISH
 - COSMETIC SPECIFICATION:**
ALL SURFACEES UNLESS OTHERWISE NOTED ARE TO CONFORM TO A CLASS "C" DESIGNATION AS DESCRIBED IN SOUTHCO COSMETIC SPECIFICATION.
S-121-05 FOR STAINLESS STEEL PARTS
 - PACKAGING:**
PULLS ARE PACKAGED IN TRAY, LAYERED.
FOR INDIVIDUALLY PACKAGED, (1) HANDLE IN POLYTHYLENE BAG,
REMOVE THE -3 SUFFIX IN THE PART NUMBER.
 - ALL HANDLES ARE RoHS COMPLIANT.
 - TO REQUEST A THREAD SIZE NOT LISTED CONSULT SOUTHCO ENGINEERING.

P9-AAA-BB-CCD-EE-3

LENGTH BETWEEN MOUNTING HOLES IN MILLIMETERS (mm)	HEIGHT OF PULL IN MILLIMETERS	THREAD TYPE	THREAD ORIENTATION
040 = 40mm 054 = 54mm 064 = 64mm 096 = 96mm 128 = 128mm	40 = 40	04 = 4-40 THREAD 06 = 6-32 THREAD 08 = 8-32 THREAD 10 = 10-32 THREAD M3 = M3 X 0.5 THREAD M4 = M4 X 0.7 THREAD	N = FOR INTERNAL THREADS X = FOR EXTERNAL THREADS 11 = ALUMINUM, CLEAR ANODIZED 15 = ALUMINUM, BLACK ANODIZED 24 = STAINLESS STEEL, NATURAL

THIRD ANGLE PROJECTION				southco [®] CONNECT • CREATE • INNOVATE	
MILLIMETERS [IN]					
TOLERANCES UNLESS OTHERWISE NOTED		DESCRIPTION P9 FOLDING (INFINITE POSITION) HANDLES			
ALL DIMENSIONS WITHOUT TOLERANCES ARE FOR REFERENCE ONLY.		SIZE A3	SYSTEM NX	DWG NO. J-P9-1	
PER ASME Y14.5M-2009		DRAWN BY DLH	DATE 11SEP2004	SCALE 1:2	SHEET 1 OF 1