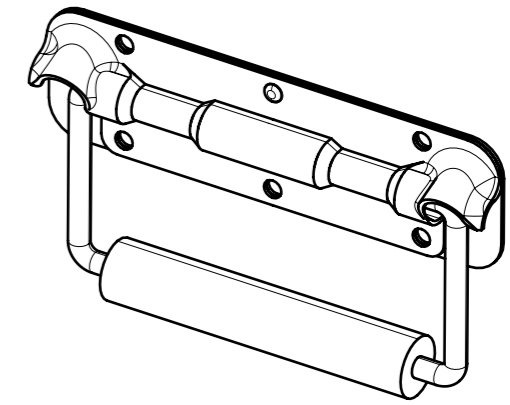
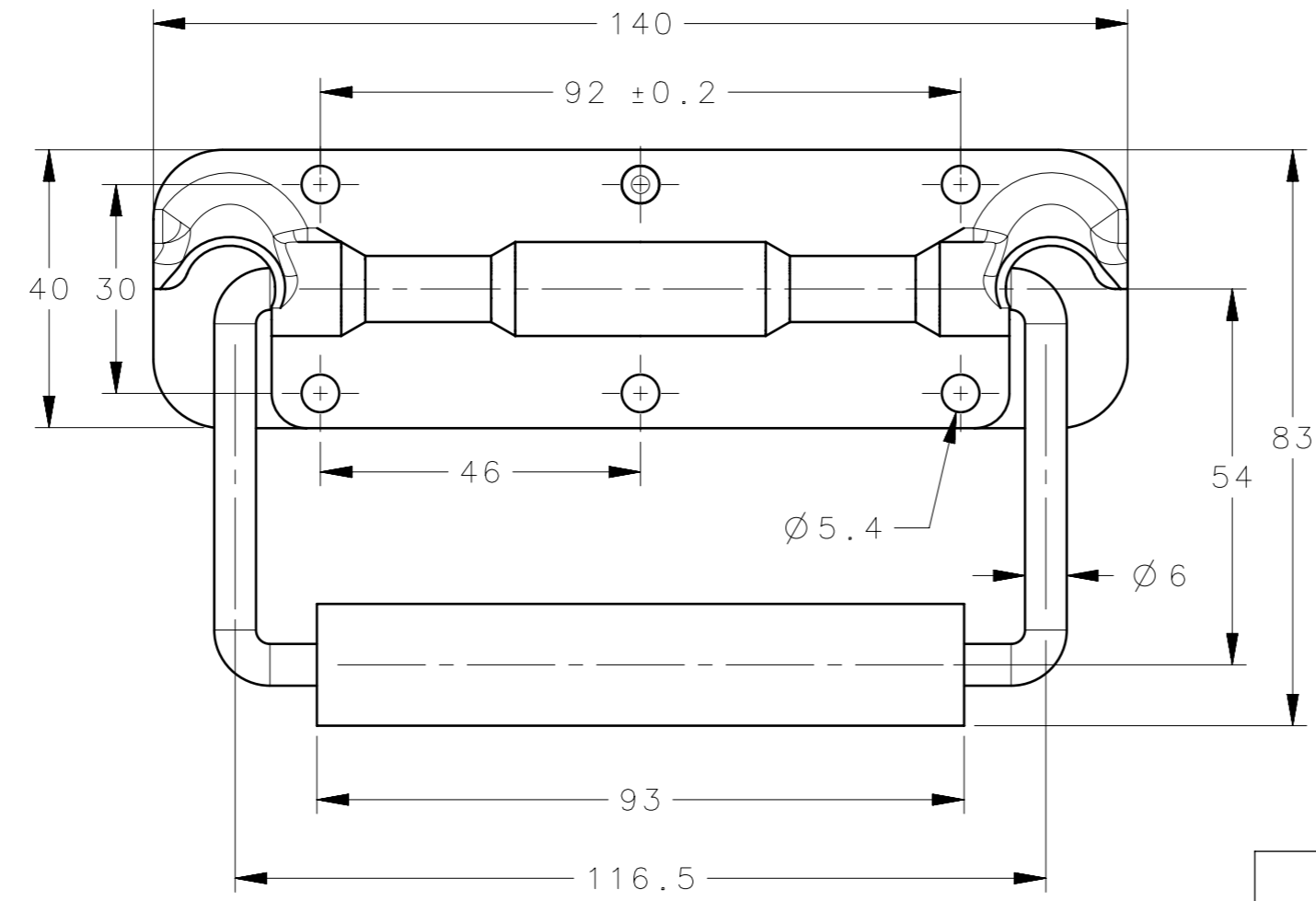
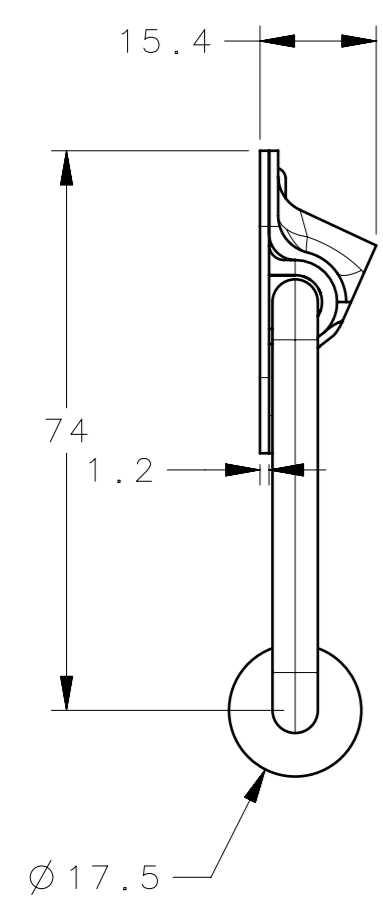
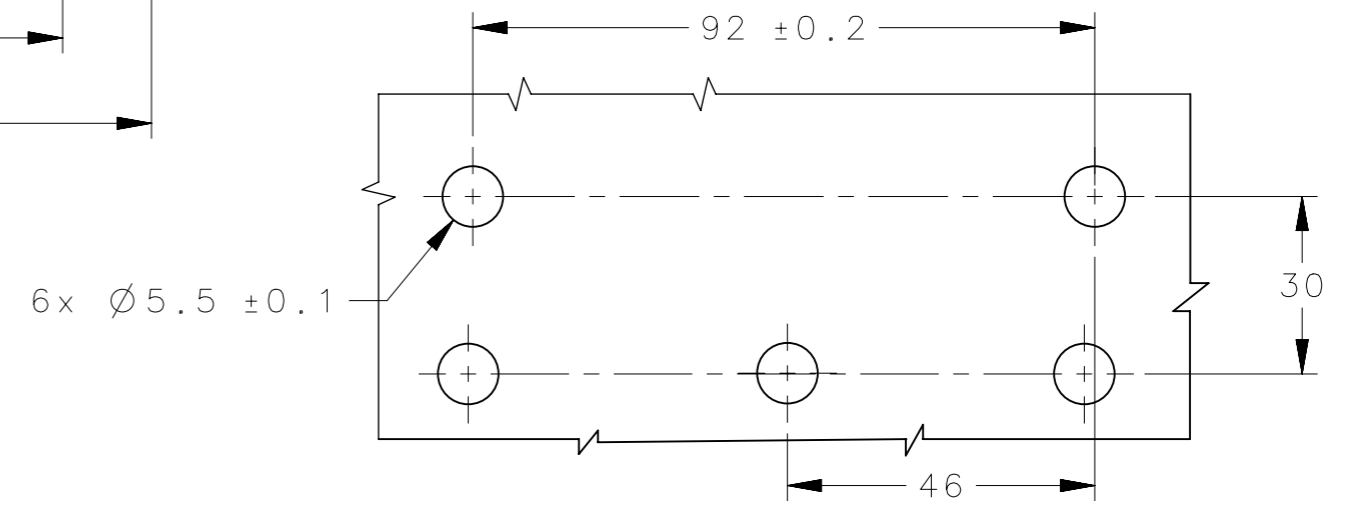


REVISION HISTORY			
REV	DATE	BY	DESCRIPTION
B	25DEC2023	SBK/VK	PRN: P2023-2368



SCALE 1:2

PANEL PREPARATION



NOTES:-  
1. MOUNTING SCREWS NOT SUPPLIED.

P9-DCPH-140-BZ	P9 -SPRING LOADED CRATE HANDLE	STEEL	BLUE ZINC PLATED	55
SOUTHCO PART NUMBER	DESCRIPTION	MATERIAL	FINISH	LOAD CAPACITY (KG)
CPB NUMBER 2023-0391	THIRD ANGLE PROJECTION	<b>southco</b> <sup>®</sup> CONNECT · CREATE · INNOVATE		
	MILLIMETERS [IN]			
SURFACE AREA mm <sup>2</sup>	TOLERANCES UNLESS OTHERWISE NOTED	DESCRIPTION P9 -SPRING LOADED CRATE HANDLE		
VOLUME mm <sup>3</sup>	ALL DIMENSIONS WITHOUT TOLERANCES ARE FOR REFERENCE ONLY.	SIZE A3	SYSTEM NX	DWG NO. J-P9-DCPH-140
PROPRIETARY ITEM <small>EXCEPT FOR USES EXPRESSLY GRANTED IN WRITING, INFORMATION DISCLOSED HEREON IS CONFIDENTIAL AND ALL RIGHTS, PATENT AND OTHERWISE, ARE RESERVED BY SOUTHCO, INC.</small>	PER ASME Y14.5M-2009	DRAWN BY SBK	DATE 07AUG2023	SCALE 1:1
				SHEET 1 OF 1