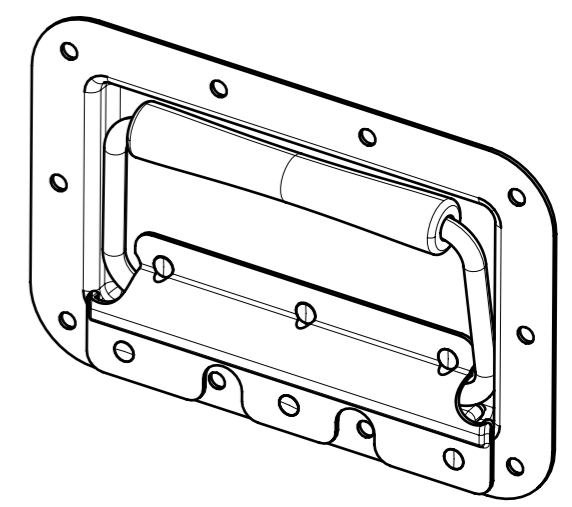
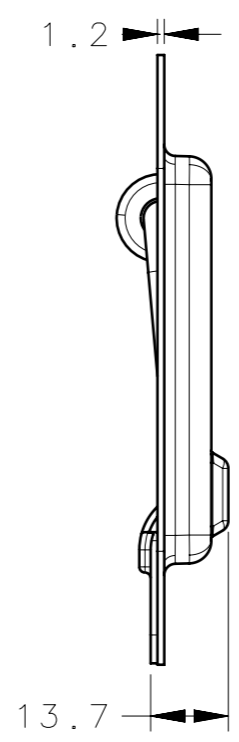
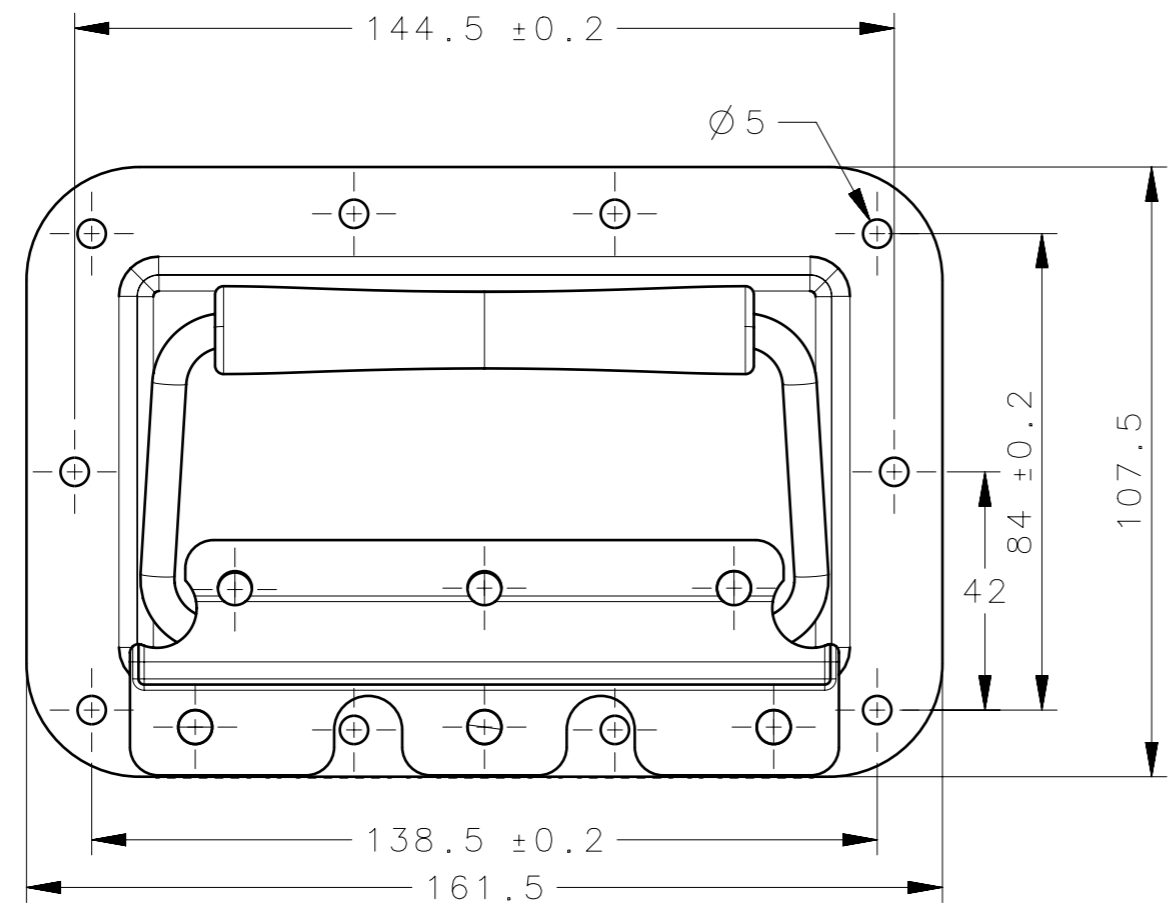
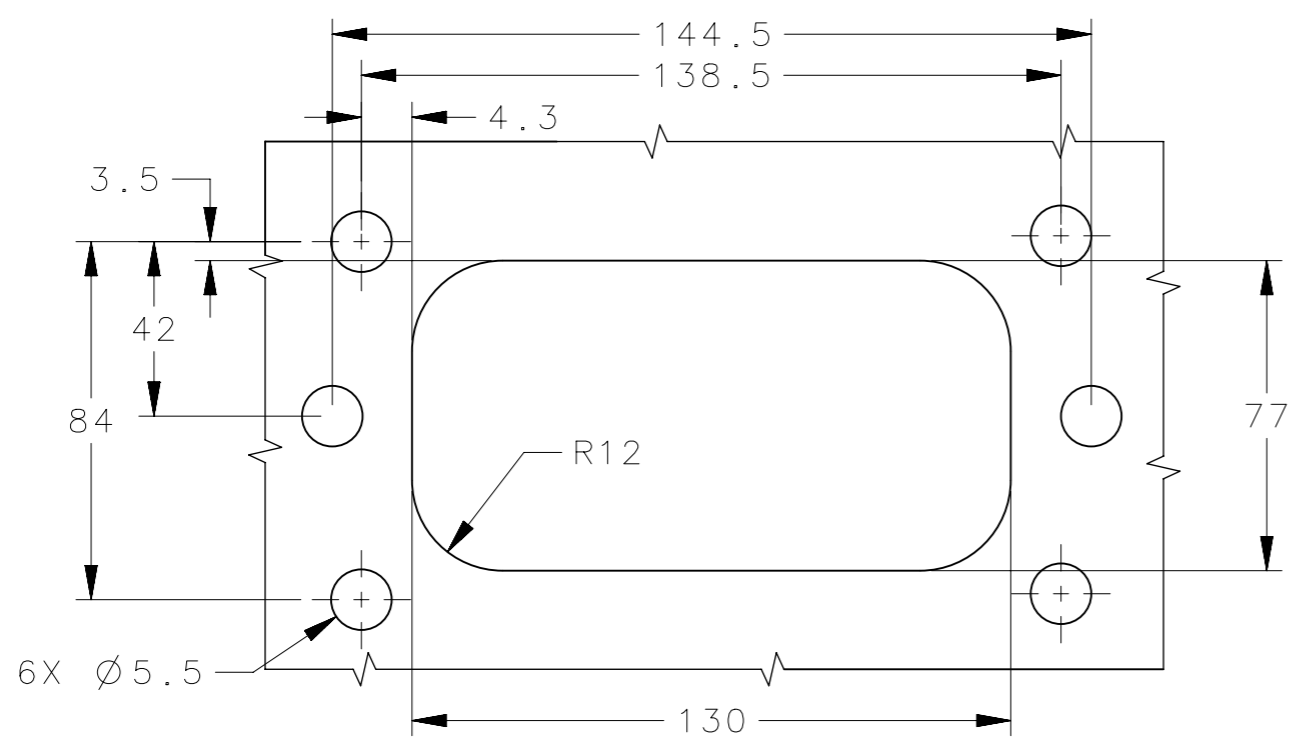


REVISION HISTORY			
REV	DATE	BY	DESCRIPTION
B	25DEC2023	SBK/VK	PRN: P2023-2368



SCALE 1:2

PANEL PREPARATION



- NOTES:-
1. MOUNTING SCREWS NOT SUPPLIED.

P9-DCPH-160-BZ	P9 -SPRING LOADED CRATE HANDLE	STEEL	BLUE ZINC PLATED	25
SOUTHCO PART NUMBER	DESCRIPTION	MATERIAL	FINISH	LOAD CAPACITY (KG)
CPB NUMBER 2023-0391	THIRD ANGLE PROJECTION	southco CONNECT • CREATE • INNOVATE		
	MILLIMETERS [IN]			
SURFACE AREA mm ²	TOLERANCES UNLESS OTHERWISE NOTED	DESCRIPTION P9 -SPRING LOADED CRATE HANDLE		
VOLUME mm ³	ALL DIMENSIONS WITHOUT TOLERANCES ARE FOR REFERENCE ONLY.	SIZE A3	SYSTEM NX	DWG NO. J-P9-DCPH-160
PROPRIETARY ITEM EXCEPT FOR USES EXPRESSLY GRANTED IN WRITING, INFORMATION DISCLOSED HEREON IS CONFIDENTIAL AND ALL RIGHTS, PATENT AND OTHERWISE, ARE RESERVED BY SOUTHCO, INC.	PER ASME Y14.5M-2009	DRAWN BY SBK	DATE 07AUG2023	SCALE 1:1
			SHEET 1 OF 1	