

NOTES:

A. PART NUMBER COVERS LOCK PLUG COMPLETE WITH TWO FLAT KEYS LINKED TOGETHER. KEYS MAY BE INSTALLED IN LOCK PLUG OR BULK PACKAGED.

PART NUMBER:
PK-65-42-13(-ZZZ)

KEYCODE OPTIONS:

OMIT ZZZ - CH751

LS001 - LS001

TO

LS125 - LS125

RS001 - RS001

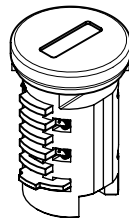
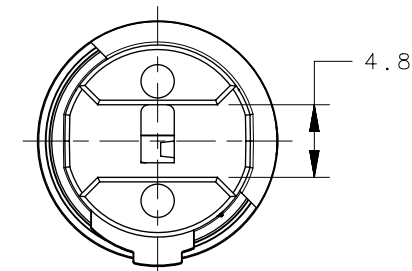
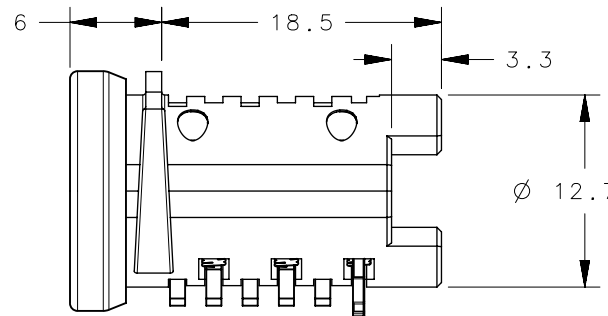
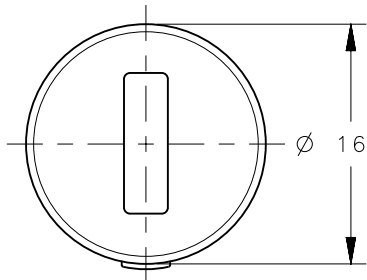
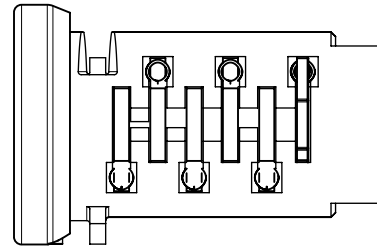
TO

RS125 - RS125

KD1010 - KEYED DIFFERENTLY, 10 DIFFERENT KEY CODES,
RS001 - RS010, SOLD IN BAGS OF 10.

KD1050 - KEYED DIFFERENTLY, 50 DIFFERENT KEY CODES
RS001 - RS050, SOLD IN BAGS OF 50.

KD1125 - KEYED DIFFERENTLY, 125 DIFFERENT KEY CODES,
RS001 - RS125, SOLD IN BAGS OF 125



NO.	DESCRIPTION	QTY	MATERIAL	FINISH
7	WAFER, LOCKING	5	BRASS	ZINC NICKEL ALLOY WITH TRIVALENT CHROMATE
6	SCALP	1	STAINLESS STEEL	NATURAL
5	SPRING, SHUTTER	1	STAINLESS STEEL	NATURAL
4	LOCKPLUG BODY	1	ZAMAK 3	ZINC NICKEL ALLOY WITH TRIVALENT CHROMATE
3	SHUTTER	1	STAINLESS STEEL	NATURAL
2	SPRING, WAFER	6	STAINLESS STEEL	NATURAL
1	WAFER, RETAINER	1	BRASS	ZINC NICKEL ALLOY WITH TRIVALENT CHROMATE

THIRD ANGLE PROJECTION		 CONNECT • CREATE • INNOVATE	
MILLIMETERS [IN]			
TOLERANCES UNLESS OTHERWISE NOTED		DESCRIPTION	
ALL DIMENSIONS WITHOUT TOLERANCES ARE FOR REFERENCE ONLY.		LOCKPLUG, Assembly Drop Shutter	
PROPRIETARY ITEM EXCEPT FOR USES EXPRESSLY GRANTED IN WRITING, INFORMATION DISCLOSED HEREON IS CONFIDENTIAL AND ALL RIGHTS, PATENT AND OTHERWISE, ARE RESERVED BY SOUTHCO, INC.	SIZE A4	SYSTEM NX	DWG NO. J-PK-65-42-13
PER ASME Y14.5M-2009	DRAWN BY LCR	DATE 07OCT2019	SCALE 1:1 SHEET 1 OF 1

REVISION HISTORY			
REV	DATE	BY	DESCRIPTION
C	04SEP2024	PSP/SAK	PRN: P2024-1512