

REVISION HISTORY			
REV	DATE	BY	DESCRIPTION
E	26APR2019	NBK/VK	PRN: P2019-1175

PART NUMBER: PT-1--1-20-

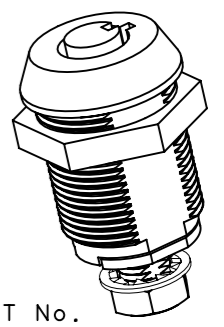
HOUSING LENGTHS:
 1 = 12.7mm
 2 = 17.5mm
 3 = 23.8mm
 4 = 30.5mm
 5 = 36.5mm

CAM ROTATION ANGLE:
 01 = 12 - 3 O'CLOCK (CW)
 09 = 12 - 9 O'CLOCK (CCW)
 (SEE SHEET 2)

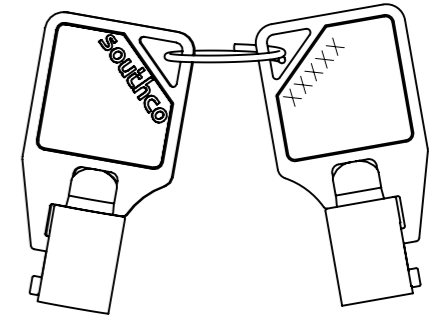
KEY CODE:
 KA-KEYED ALIKE,
 CODE T0001
 KD-KEYED DIFFERENTLY,
 CODE T0001-T0050
 XXX-SPECIFIC KEY CODE
 001=CODE T0001

HOUSING AND DRIVER FINISH:
 B- TRIVALENT CHROMATE
 CONV. COATED & BLACK
 POWDER COATED
 C- CHROME PLATED
 D- NICKEL PLATED

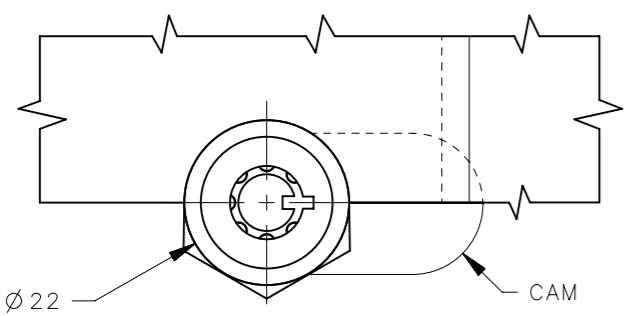
KEY REMOVAL:
 B-LOCKED/UNLOCKED POSITION
 L-LOCKED POSITION ONLY



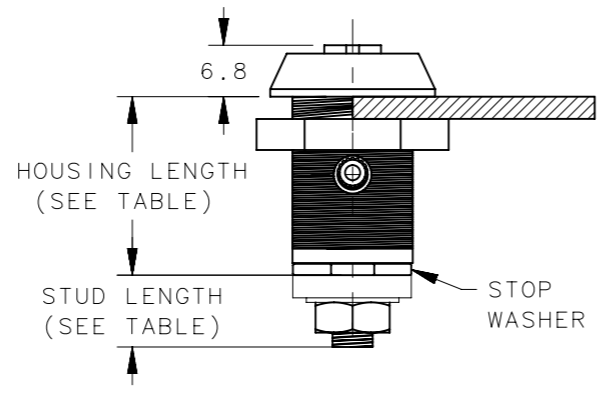
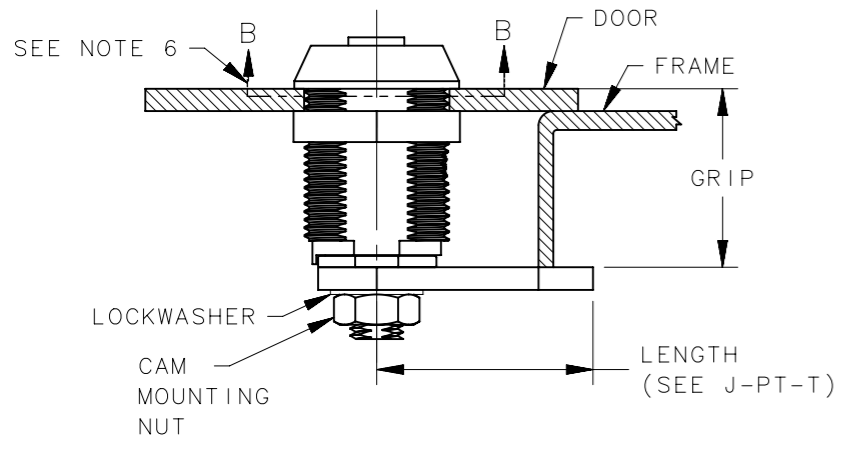
SUBASSEMBLY PART No.
 PT-1-3C101-20L-KA SHOWN
 (CAM ORDERED SEPARATELY)
 SEE J-PT-T FOR CAM PART NUMBERS



KEY PART NUMBER:
 PK-60-01-XXXXX
 SHOWN
 (INCLUDED IN SUB-ASSEMBLY
 PART NUMBER SHOWN TO RIGHT)



PART NUMBER PT-1-3C101-20L-KA
 SHOWN ASSEMBLED WITH
 CAM P/N PT-T009
 (CAM ORDERED SEPARATELY)



No.	HOUSING LENGTH	STUD LENGTH
1	12.7	8.9
2	17.5	9.5
3	23.8	9.5
4	30.5	9.5
5	36.5	9.5

KEY	BRASS CYLINDER, STEEL HANDLE	NICKEL PLATE
CAM MOUNTING NUT	STEEL	ZINC PLATE, BRIGHT CHROMATE CONV, COATING
MOUNTING NUT	DIE CAST ZINC	TRIVALENT CHROMATE CONV COATING
LOCKWASHER	STEEL	-
STOP WASHER	STEEL	ZINC PLATE, BRIGHT CHROMATE CONV, COATING
BAR	STEEL	ZINC PLATE, BRIGHT CHROMATE CONV, COATING
PLUG & PLUG BLANK	DIE CAST ZINC	TRIVALENT CHROMATE CONV COATING
CAM	STEEL	ZINC PLATE, BRIGHT CHROMATE CONV, COATING
SPRING	HEAT TREATED STEEL	NATURAL
TOP PIN	BRASS	VARIOUS BASED ON LENGTH
BOTTOM PIN	BRASS	ZINC PLATE
HOUSING	DIE CAST ZINC	SEE TABLE
DRIVER	DIE CAST ZINC	SEE TABLE
TYPE OF COMPONENT	MATERIAL	FINISH

- NOTES:
- EACH LATCH IS PACKAGED IN A PLASTIC BAG, 100 LATCHES PER BOX. FOR KEYED ALIKE, MOUNTING NUTS, LOCKWASHERS AND KEY SETS ARE BULK PACKAGED, 50 TO A BAG, 100 PER BOX. FOR KEYED DIFFERENTLY THE KEY SETS ARE PACKAGED WITH THE LATCH.
 - PLUGS, PINS AND SPRINGS ARE INTERNAL TO ASSEMBLY.
 - CAMS ORDERED SEPARATELY.
 - SEE J-PT-T FOR CAM PART NUMBERS.
 - FOR INSTALLATION AND PANEL PREPARATION SEE DRAWING J-PT-1-A.
 - FOR BLACK POWDER COATED, HEAD IS POWDER COATED ABOVE SECTION B-B (2 THREADS MAX).

THIRD ANGLE PROJECTION

MILLIMETERS [IN]

TOLERANCES UNLESS OTHERWISE NOTED

ALL DIMENSIONS WITHOUT TOLERANCES ARE FOR REFERENCE ONLY.

PROPRIETARY ITEM
EXCEPT FOR USES EXPRESSLY GRANTED IN WRITING, INFORMATION DISCLOSED HEREON IS CONFIDENTIAL AND ALL RIGHTS, PATENT AND OTHERWISE, ARE RESERVED BY SOUTHCO, INC.

PER ASME Y14.5M-1994

southco
 CONNECT • CREATE • INNOVATE

DESCRIPTION: TUBULAR KEY CAM LOCK

SIZE: A3 SYSTEM: NX DWG NO.: J-PT-1

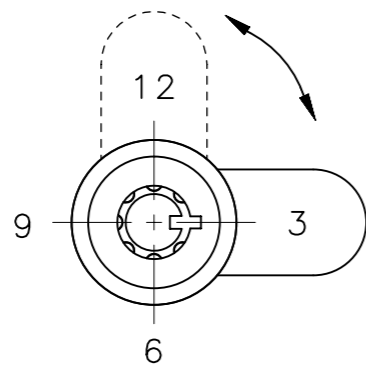
DRAWN BY: LCR DATE: 08SEP2006 SCALE: 1:1 SHEET: 1 OF 2

REVISION HISTORY			
REV	DATE	BY	DESCRIPTION
E	26APR2019	NBK/VK	PRN: P2019-1175

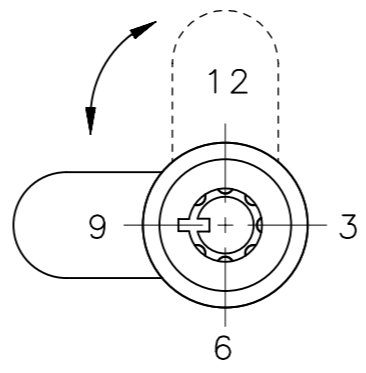
DD CAM ROTATION DIRECTION

NOTE: ROTATION DIRECTION IS FROM UNLOCKED TO LOCKED POSITION.
 SOLID LINE CAM DEPICTS LOCKED CAM POSITION.
 DOTTED LINE CAM DEPICTS UNLOCKED CAM POSITION.
 CAMLOCK SHOWN IN LOCKED POSITION.
 SEE J-PT-1-B FOR OTHER ROTATION ANGLES.

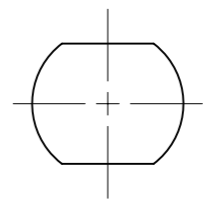
FOR OPTION "L" - KEY REMOVABLE IN LOCKED (L) POSITION ONLY:



01 = 90° CLOCKWISE

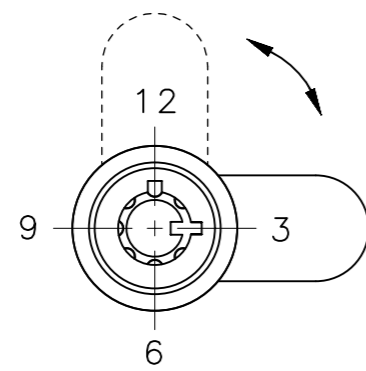


09 = 90° COUNTER CLOCKWISE

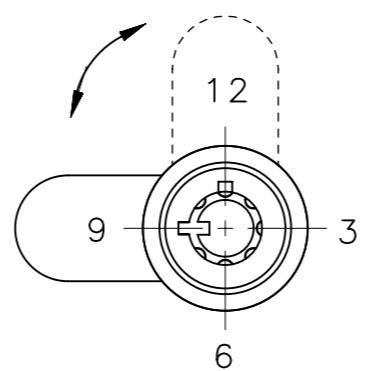


PANEL PREPARATION
 ORIENTATION
 (SEE J-PT-1-A) FOR
 DIMENSIONS

FOR OPTION "B" - KEY REMOVABLE IN BOTH POSITIONS:



01 = 90° CLOCKWISE



09 = 90° COUNTER CLOCKWISE

THIRD ANGLE PROJECTION		southco [®] CONNECT • CREATE • INNOVATE	
MILLIMETERS [IN]			
TOLERANCES UNLESS OTHERWISE NOTED		DESCRIPTION TUBULAR KEY CAM LOCK	
ALL DIMENSIONS WITHOUT TOLERANCES ARE FOR REFERENCE ONLY.		SIZE A3	SYSTEM NX
PROPRIETARY ITEM <small>EXCEPT FOR USES EXPRESSLY GRANTED IN WRITING, INFORMATION DISCLOSED HEREON IS CONFIDENTIAL AND ALL RIGHTS, PATENT AND OTHERWISE, ARE RESERVED BY SOUTHCO, INC.</small>		DWG NO. J-PT-1	DATE 08SEP2006
PER ASME Y14.5M-1994		DRAWN BY LCR	SCALE 1:1
		SHEET 2 OF 2	