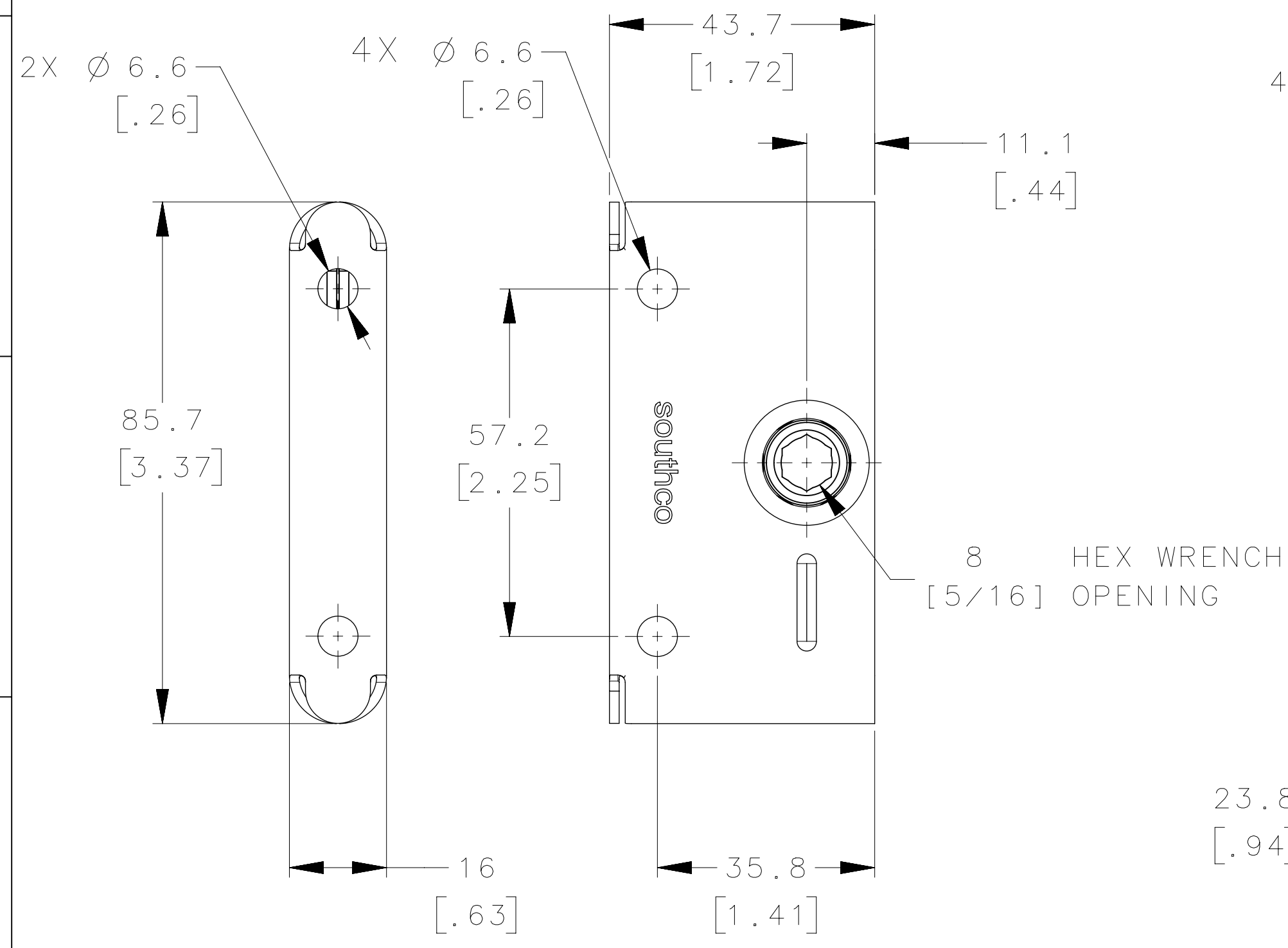
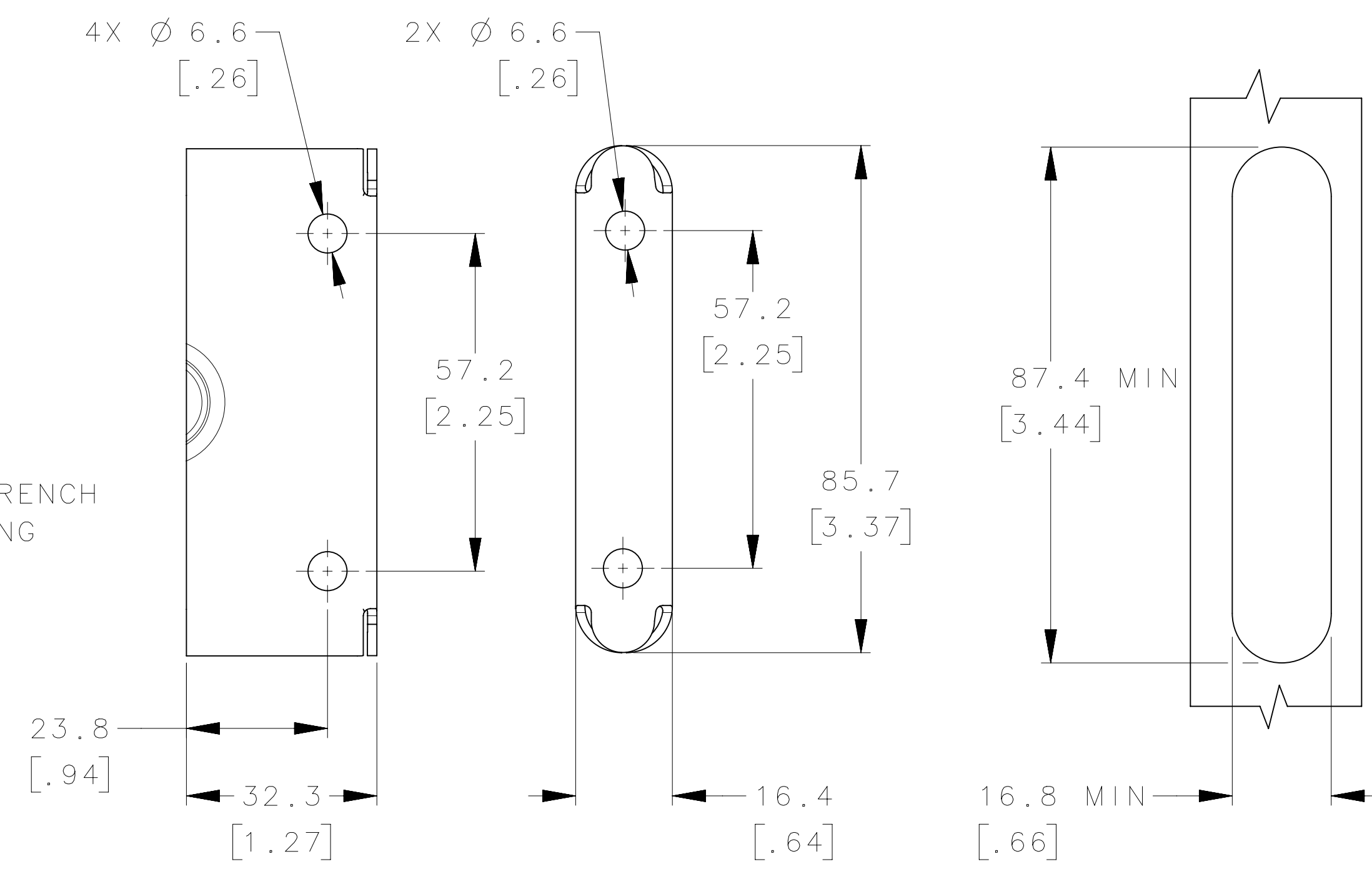


## MORTISE MOUNT

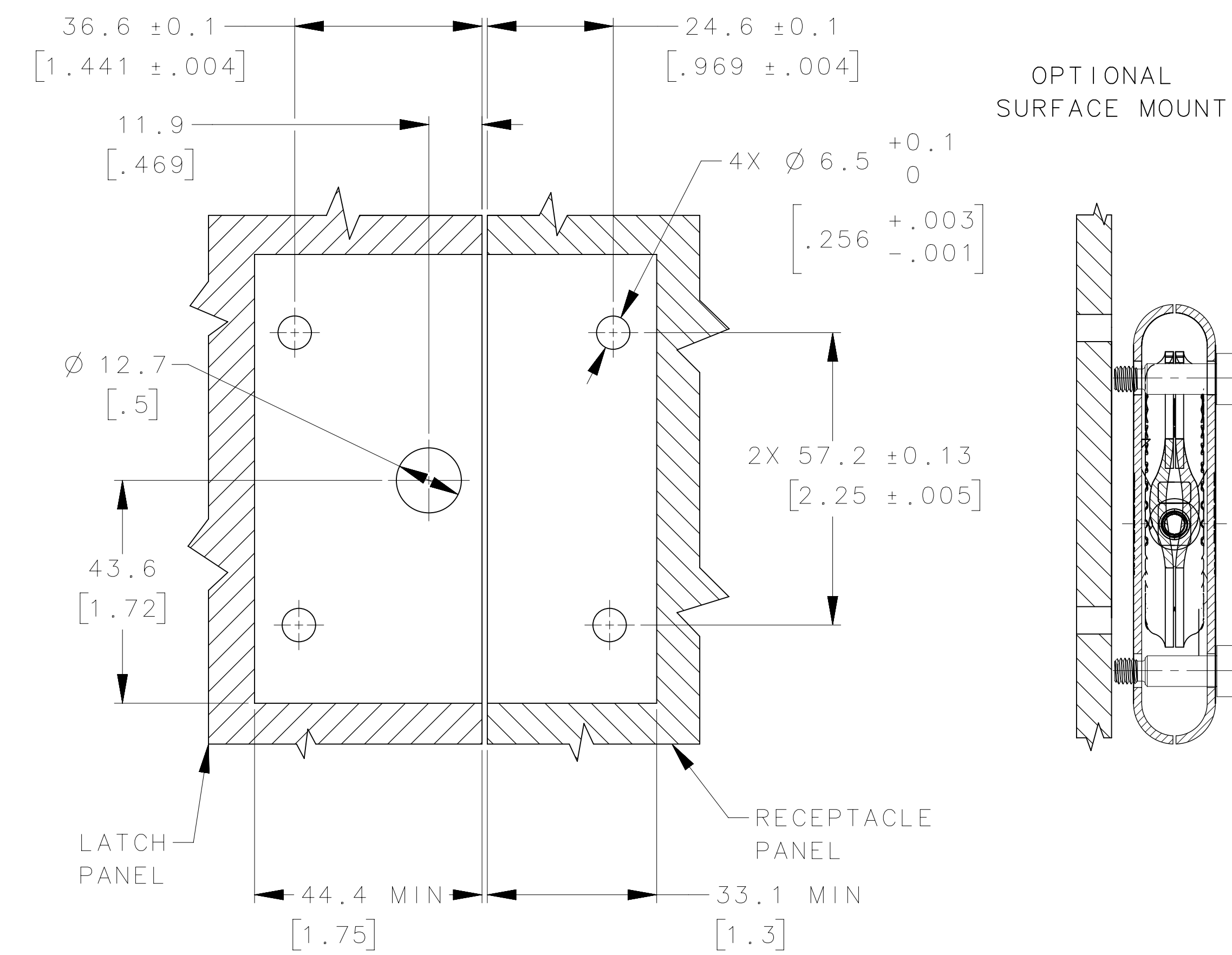
### LATCH



### RECEPTACLE



## PANEL PREPARATION



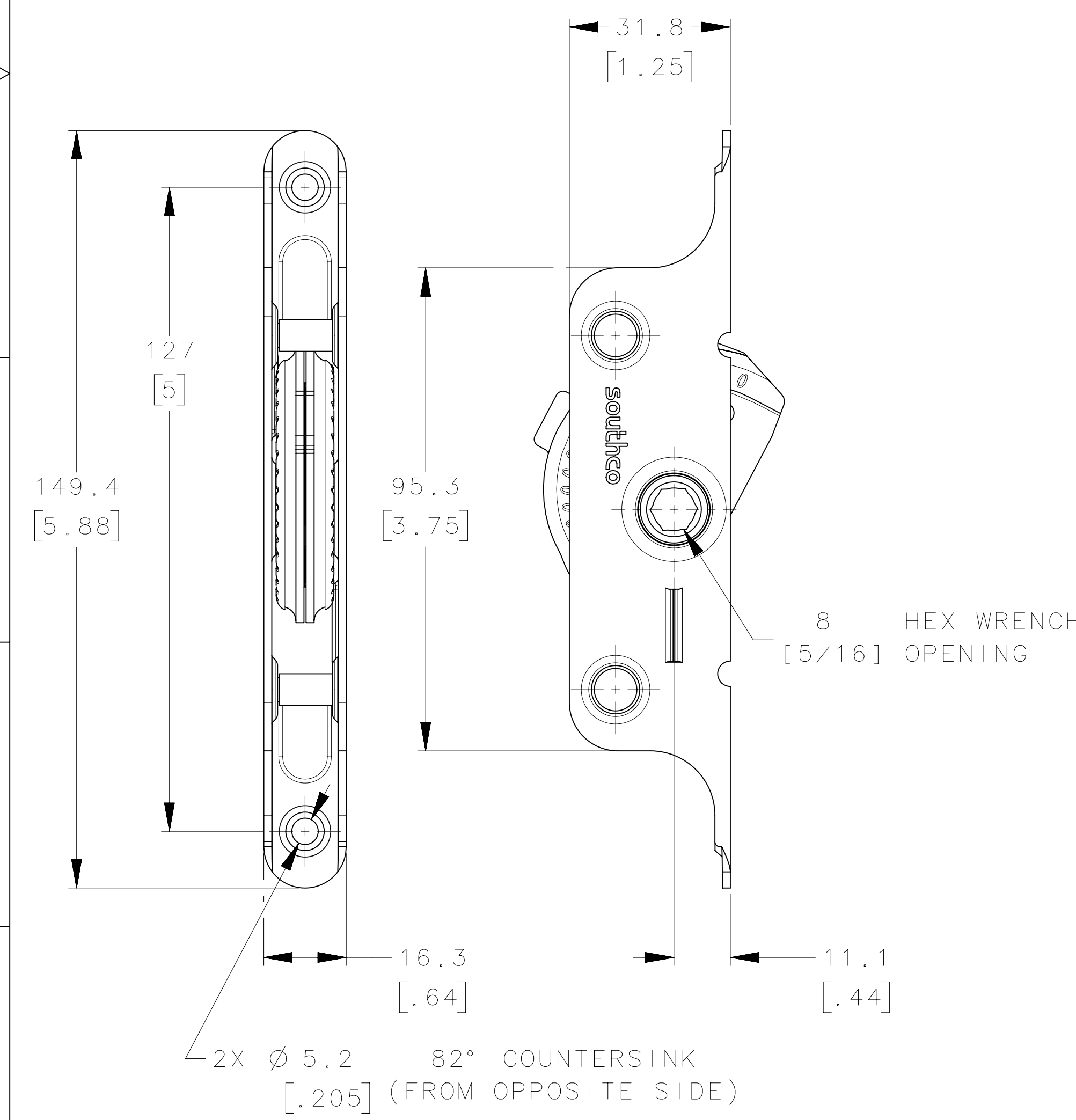
STYLE	LATCH	RECEPTACLE
MORTISE MOUNT	R2-0055-XX	R2-0002-XX
FRONT MOUNT	R2-0267-XX	R2-0268-XX
DEEP TAB	R2-0169-XX	R2-0160-XX
SHALLOW TAB	R2-0259-XX	R2-0257-XX

**MATERIAL AND FINISH (-XX)**  
 -02 STEEL, ZINC PLATED, BRIGHT CHROMATE  
 -17 STEEL, GALVANIZED

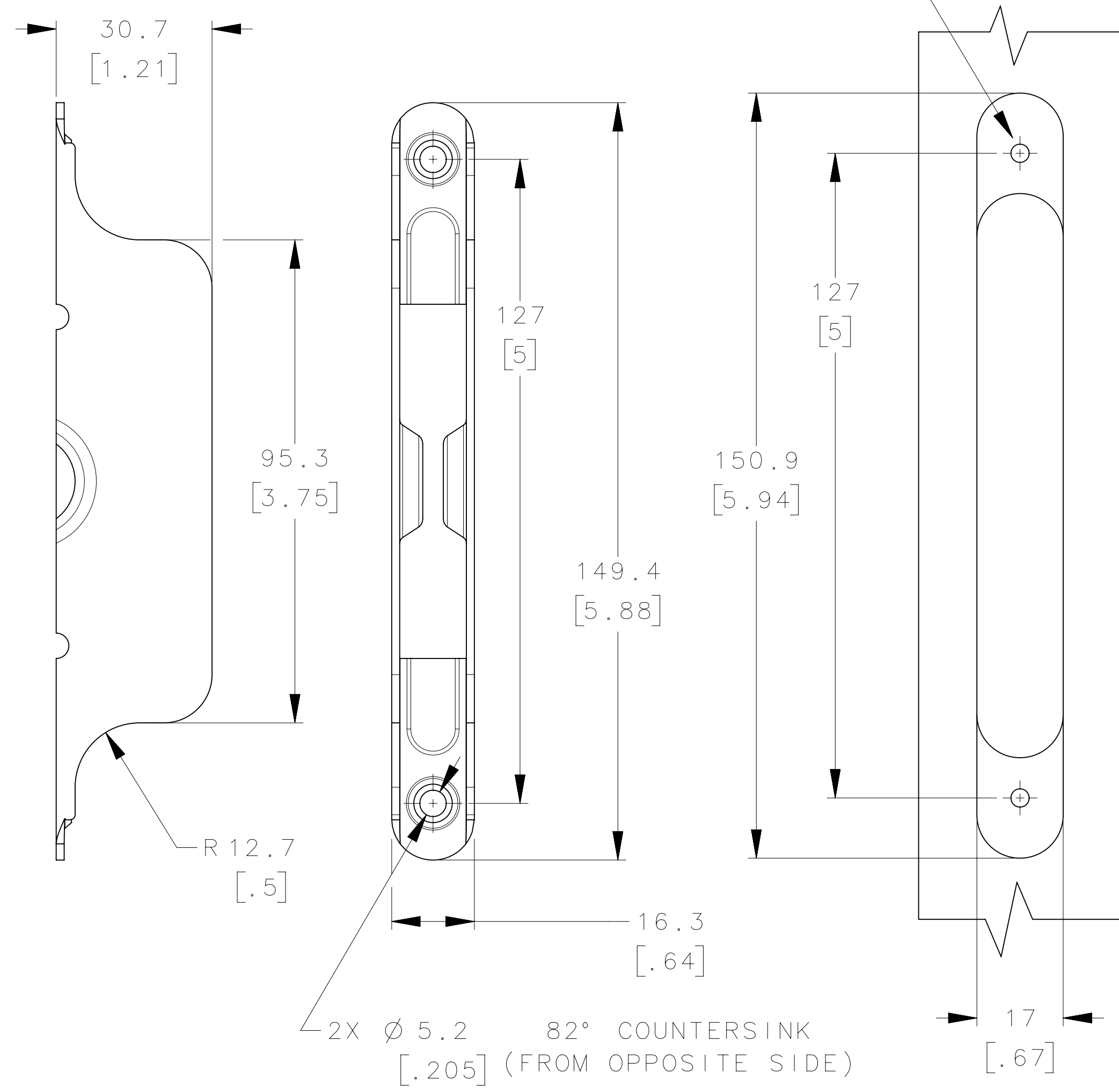
- NOTES:**
- ALL LATCH AND RECEPTACLE STYLES CAN BE INTERCHANGED TO SUIT REQUIRED INSTALLATION.
  - MOUNTING HARDWARE (NOT SUPPLIED):  
 A. MORTISE STYLE.....M6 (1/4) SCREWS  
 B. FRONT STYLE.....M4 (No.8) FLAT HEAD SCREWS  
 C. DEEP TAB STYLE.....M5 (No.10) SCREWS  
 D. SHALLOW TAB STYLE...M5 (No.10) SCREWS

## FRONT/REAR MOUNT

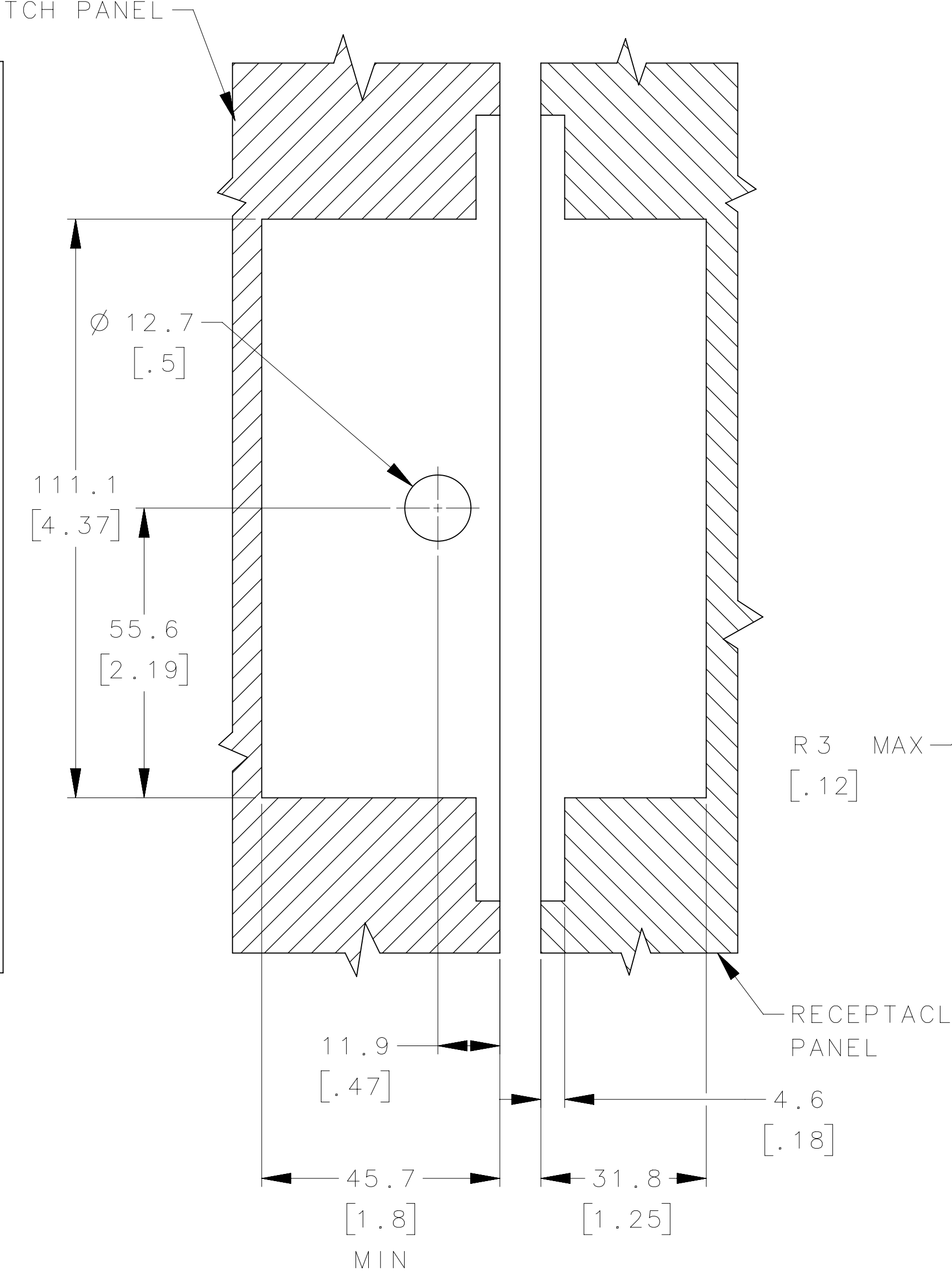
### LATCH



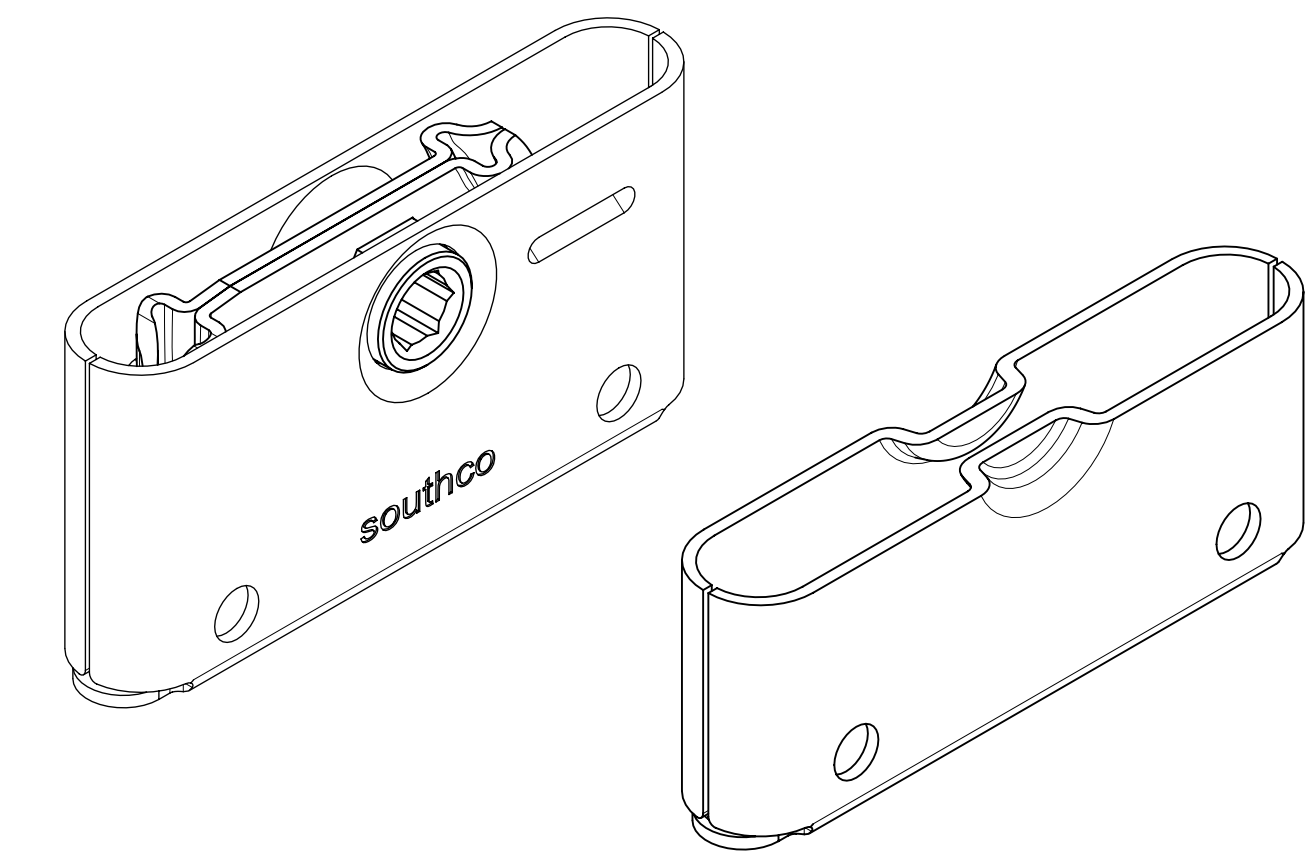
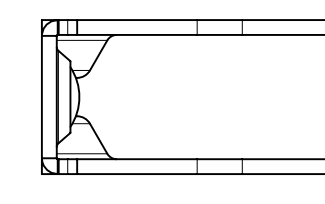
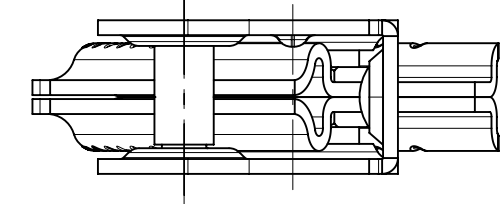
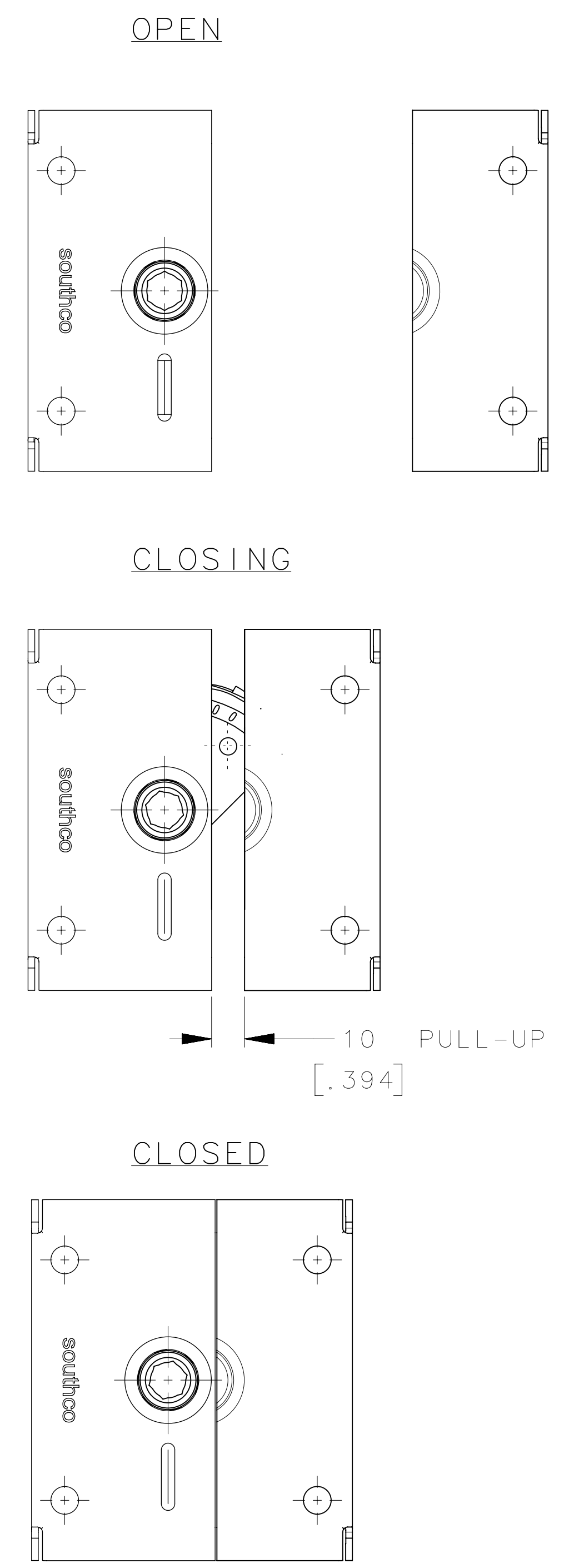
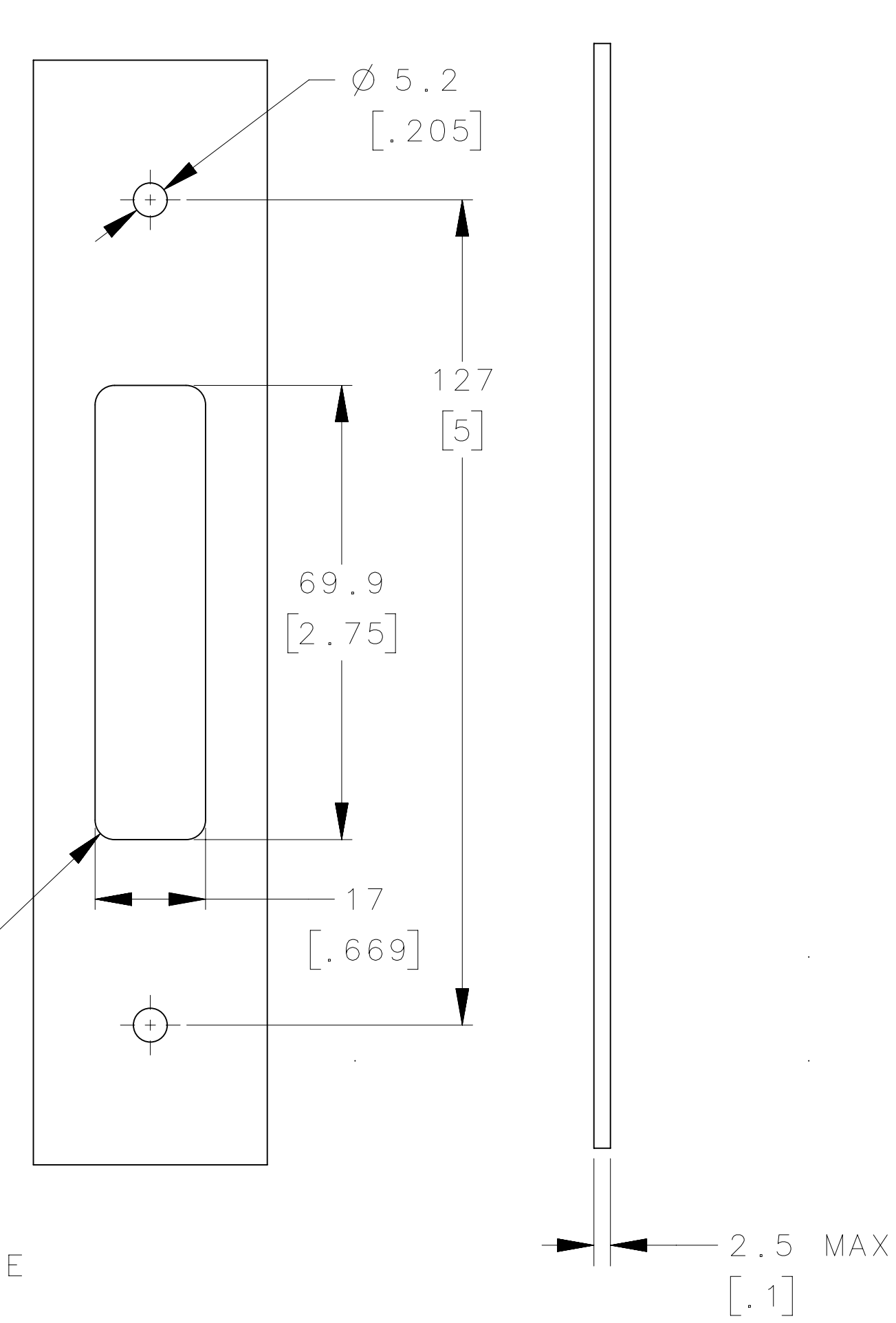
### RECEPTACLE



### FRONT MOUNT



### REAR MOUNT



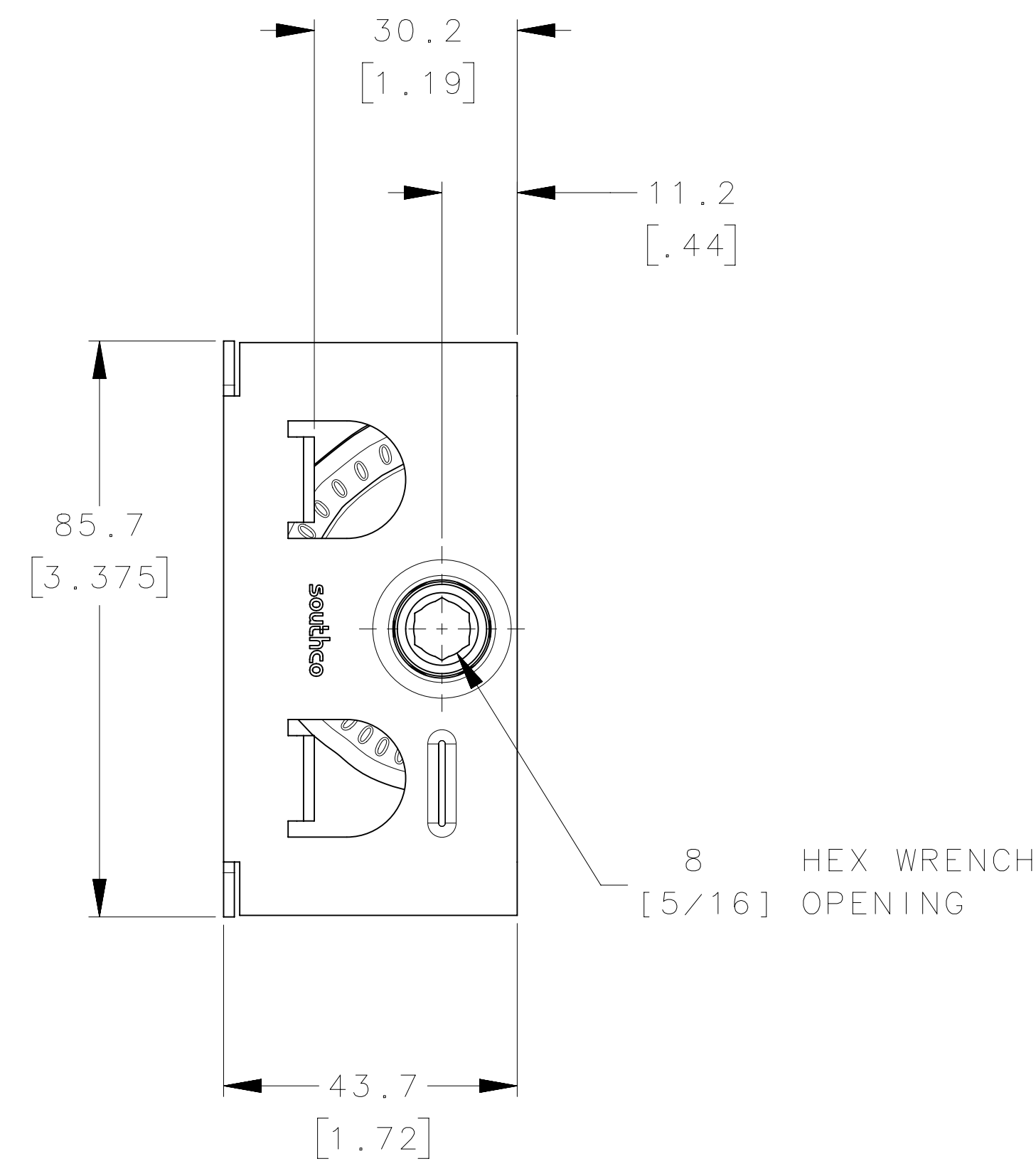
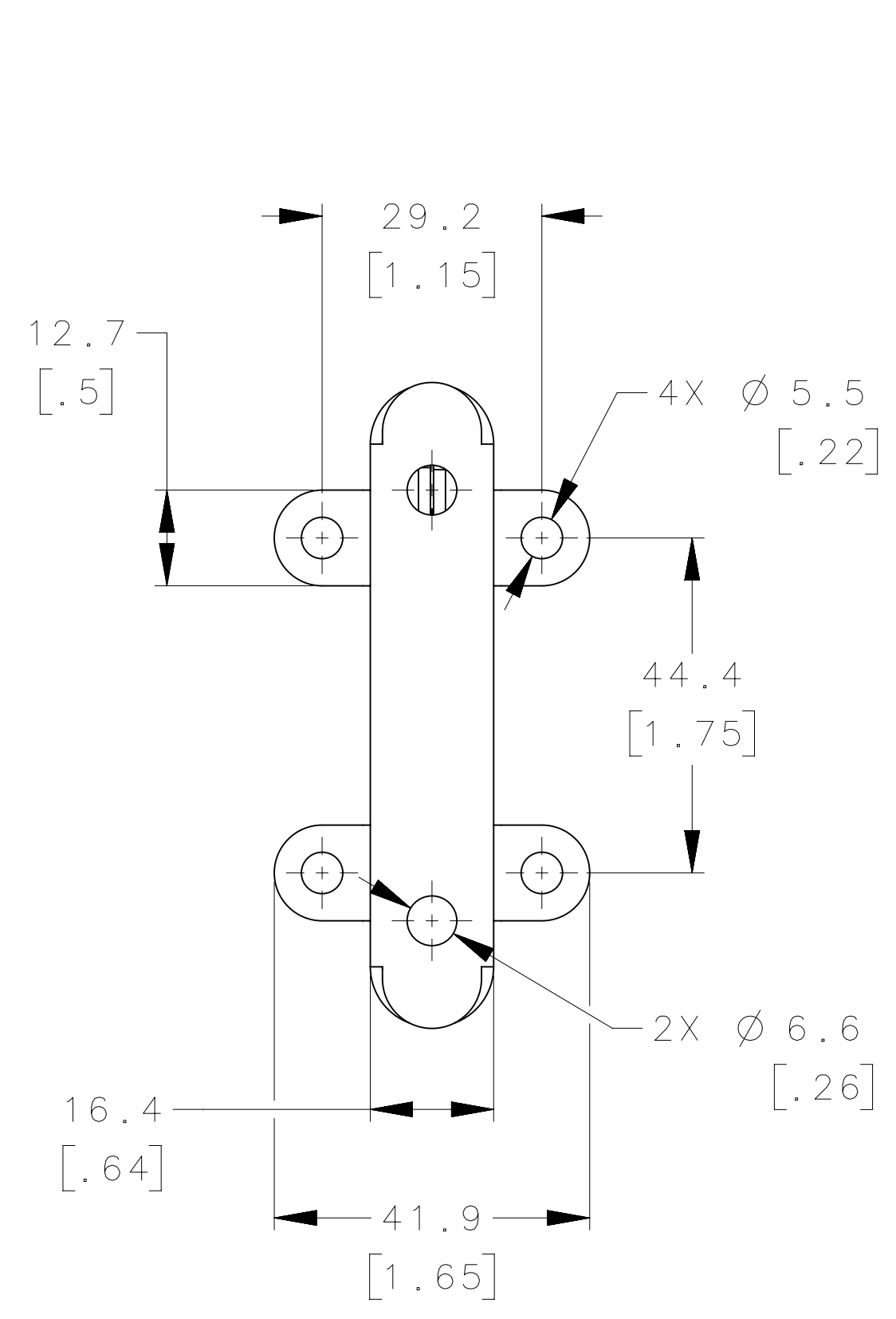
SCALE 1:1

THIRD ANGLE PROJECTION		<b>southco</b> CONNECT · CREATE · INNOVATE	
MILLIMETERS [IN]		DESCRIPTION: R2 CONCEALED DRAW LATCH	
TOLERANCES UNLESS OTHERWISE NOTED			
ALL DIMENSIONS WITHOUT TOLERANCES ARE FOR REFERENCE ONLY.			
PROPRIETARY ITEM	DATE	SCALE	SHEET
REVISED FOR REFERENCE ONLY	20JUN2017	5:4	1 OF 2
PER ASME Y14.5M-1994	DRW BY: RJV/RMO	DATE	

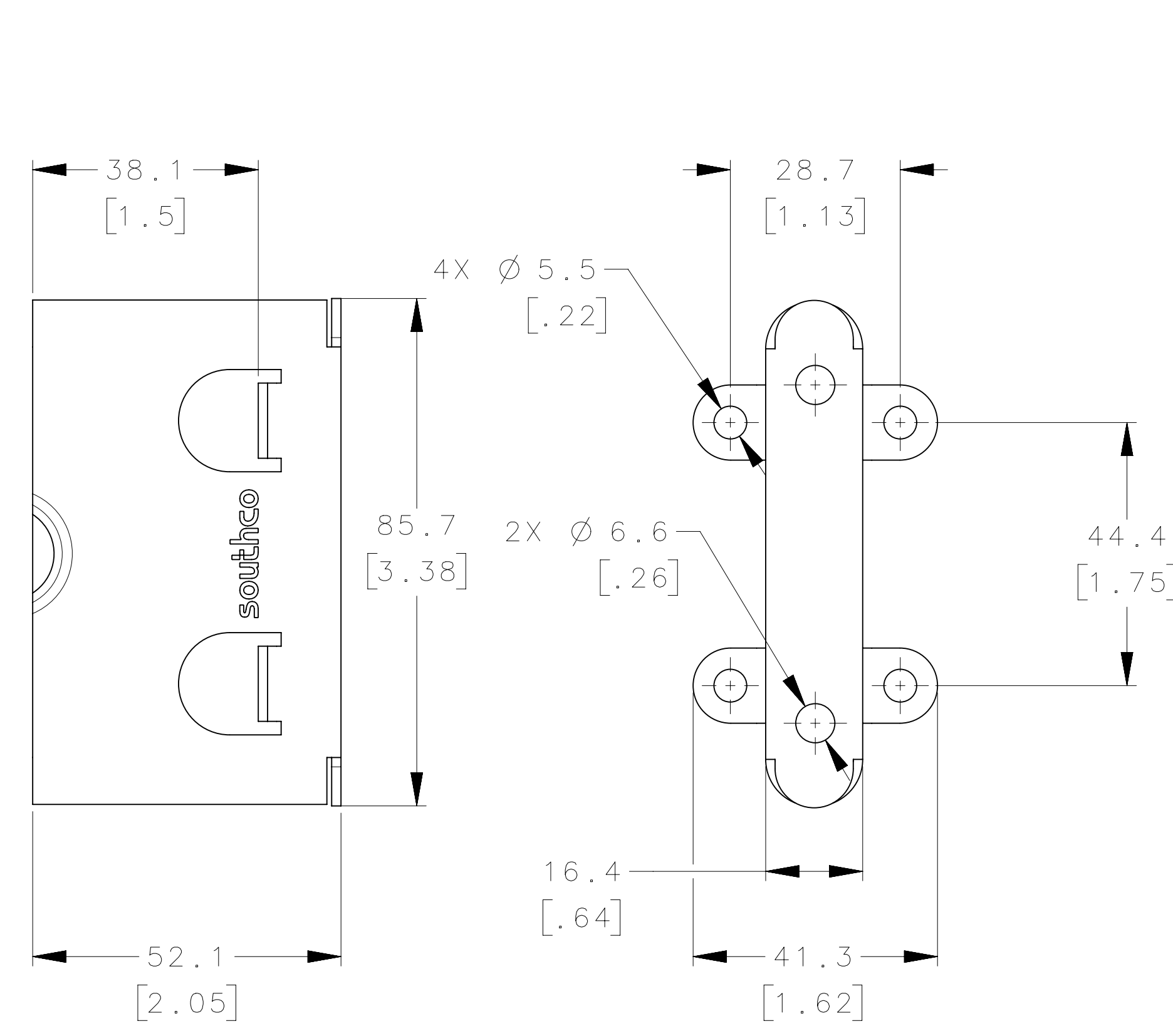
REVISION HISTORY			
REV	DATE	BY	DESCRIPTION
A	30NOV2018	RMO/MJS	PRN: INITIAL RELEASE

### DEEP TAB

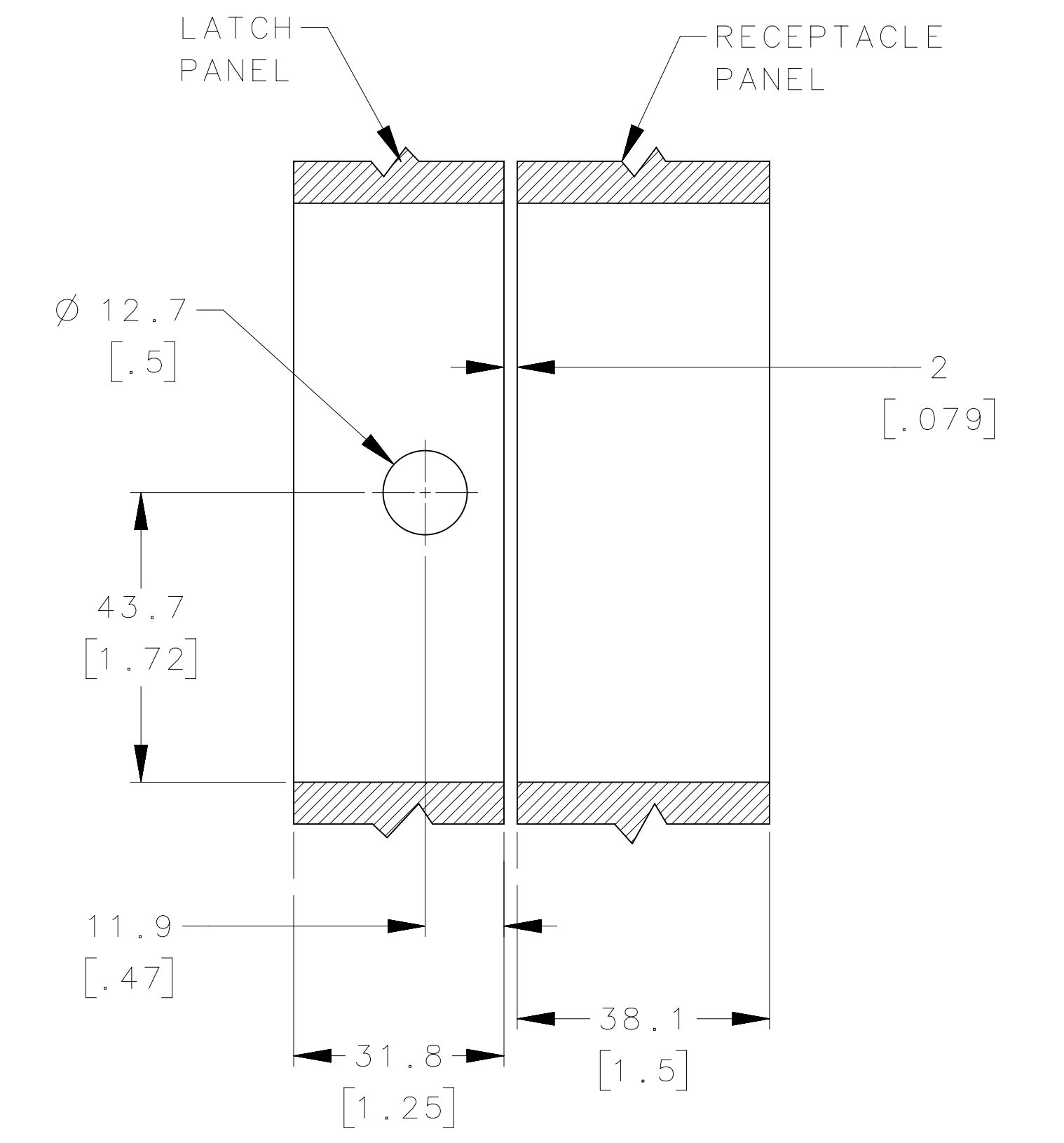
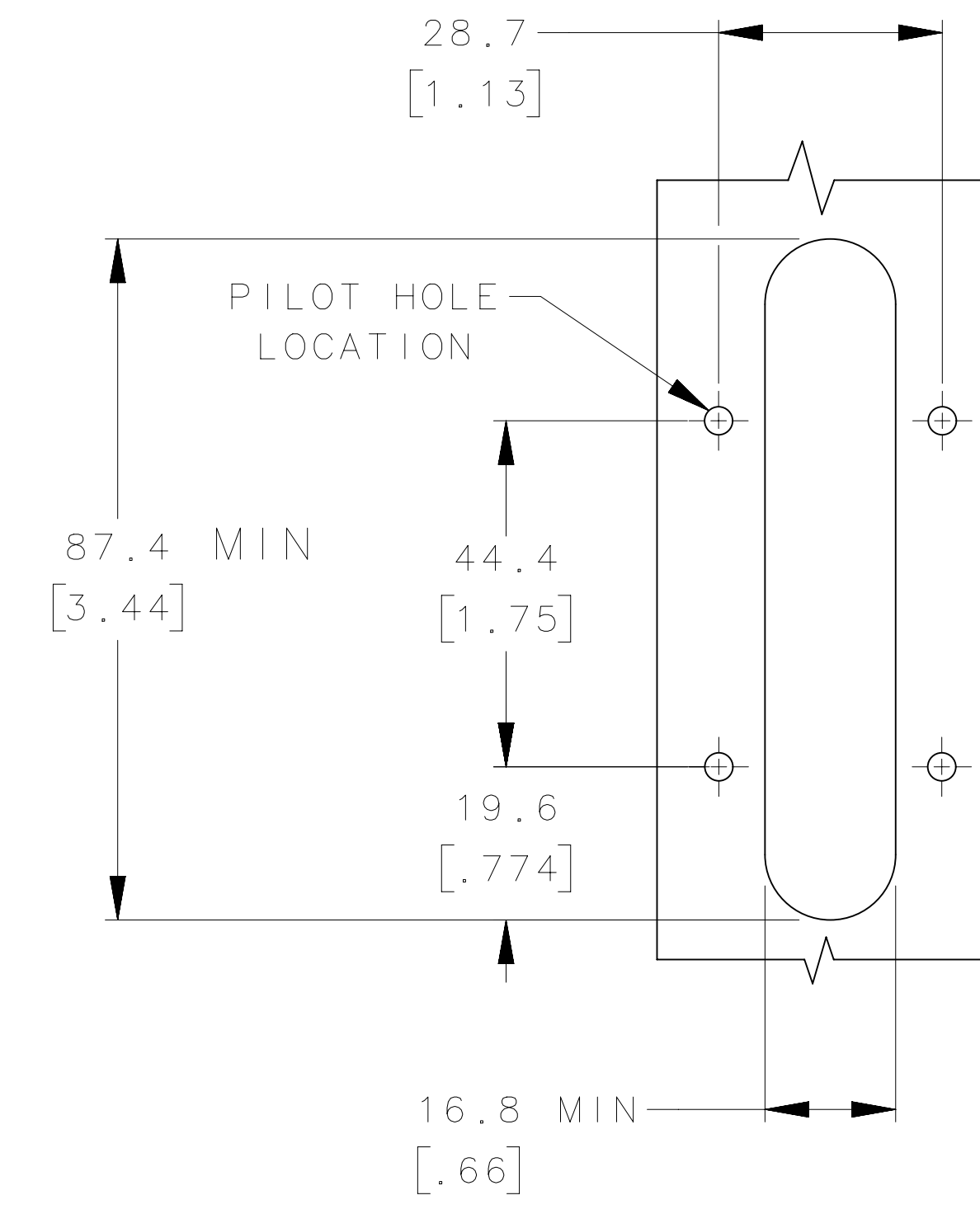
#### LATCH



#### RECEPTACLE

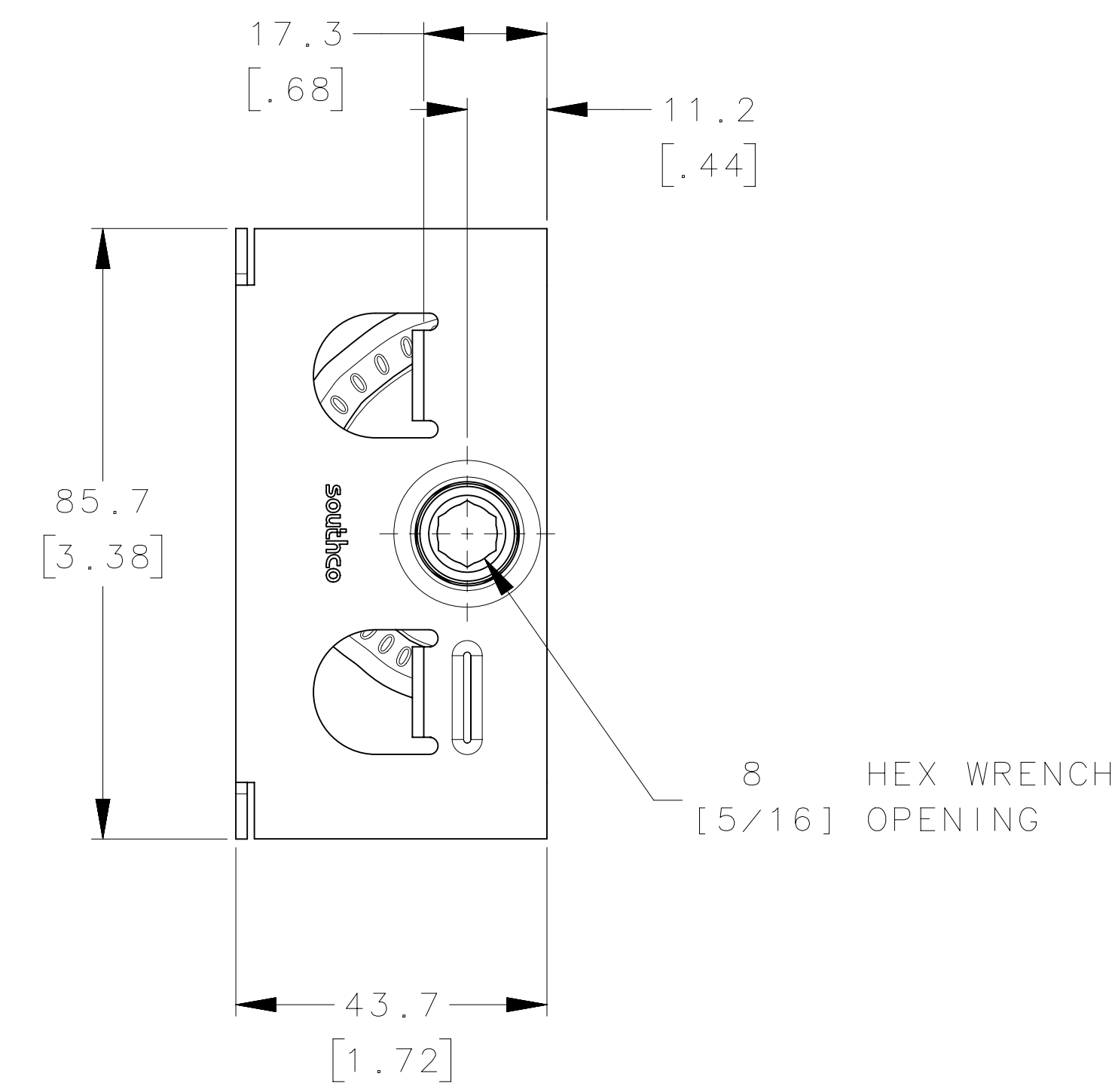
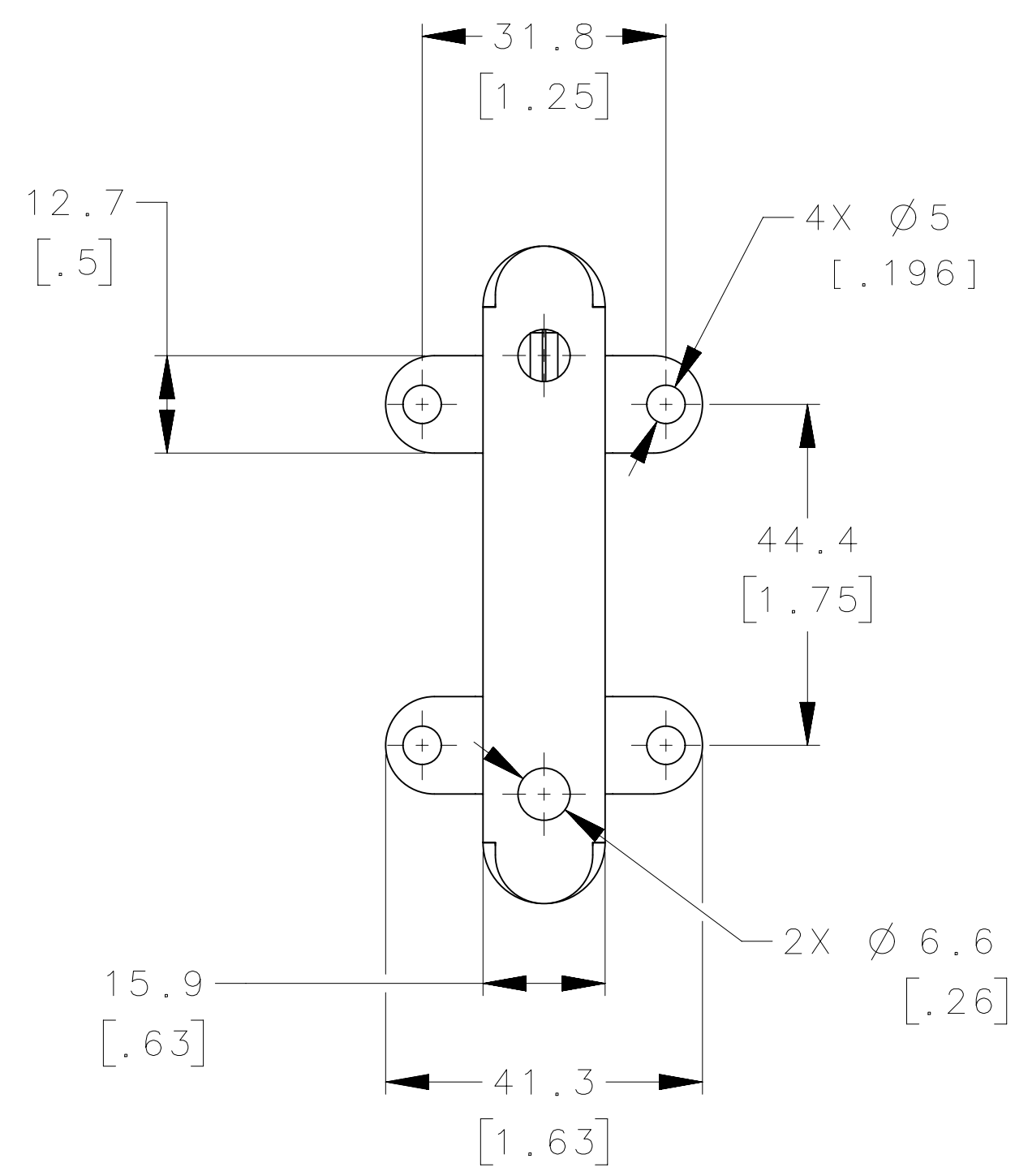


### PANEL PREPARATION

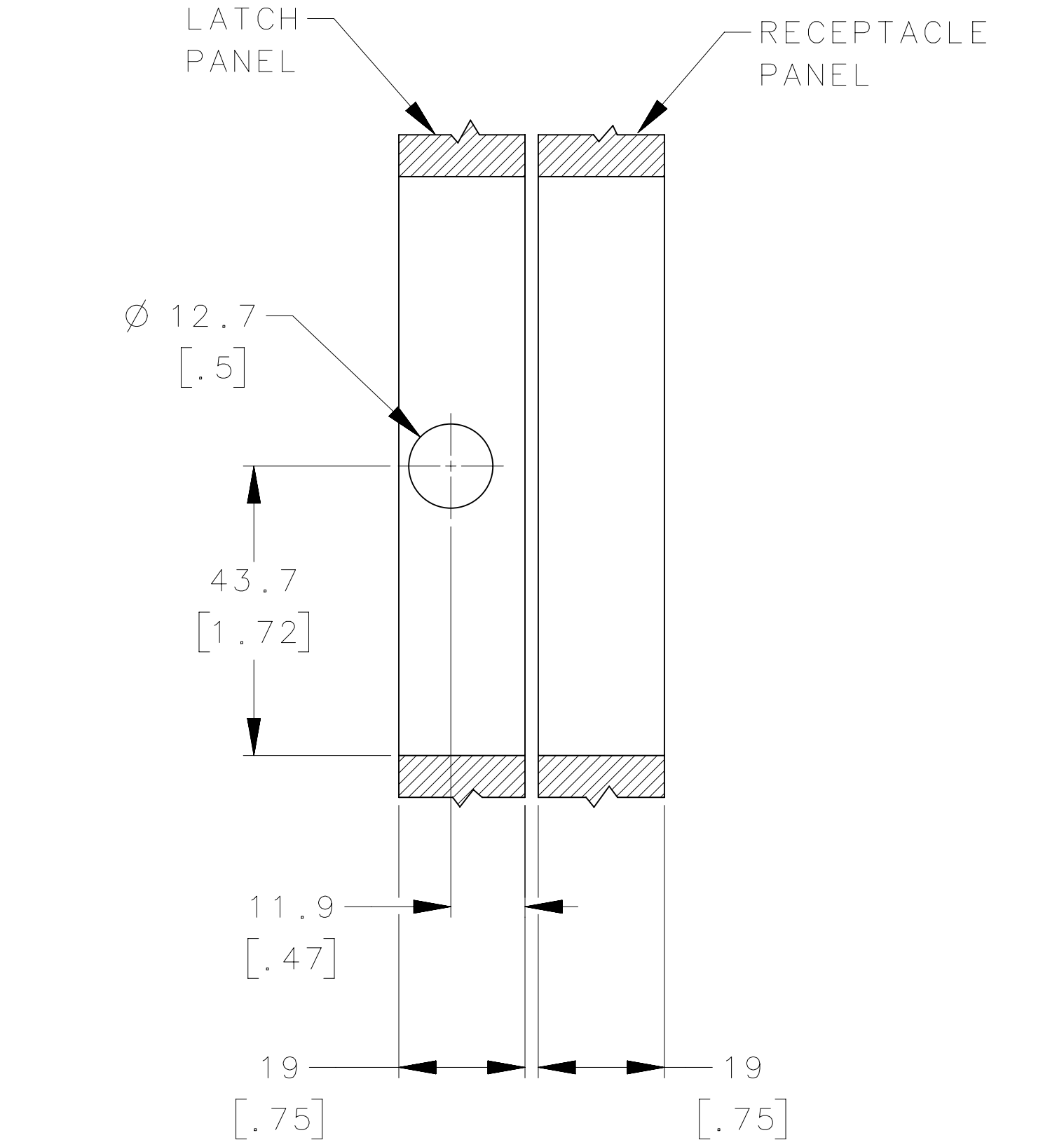
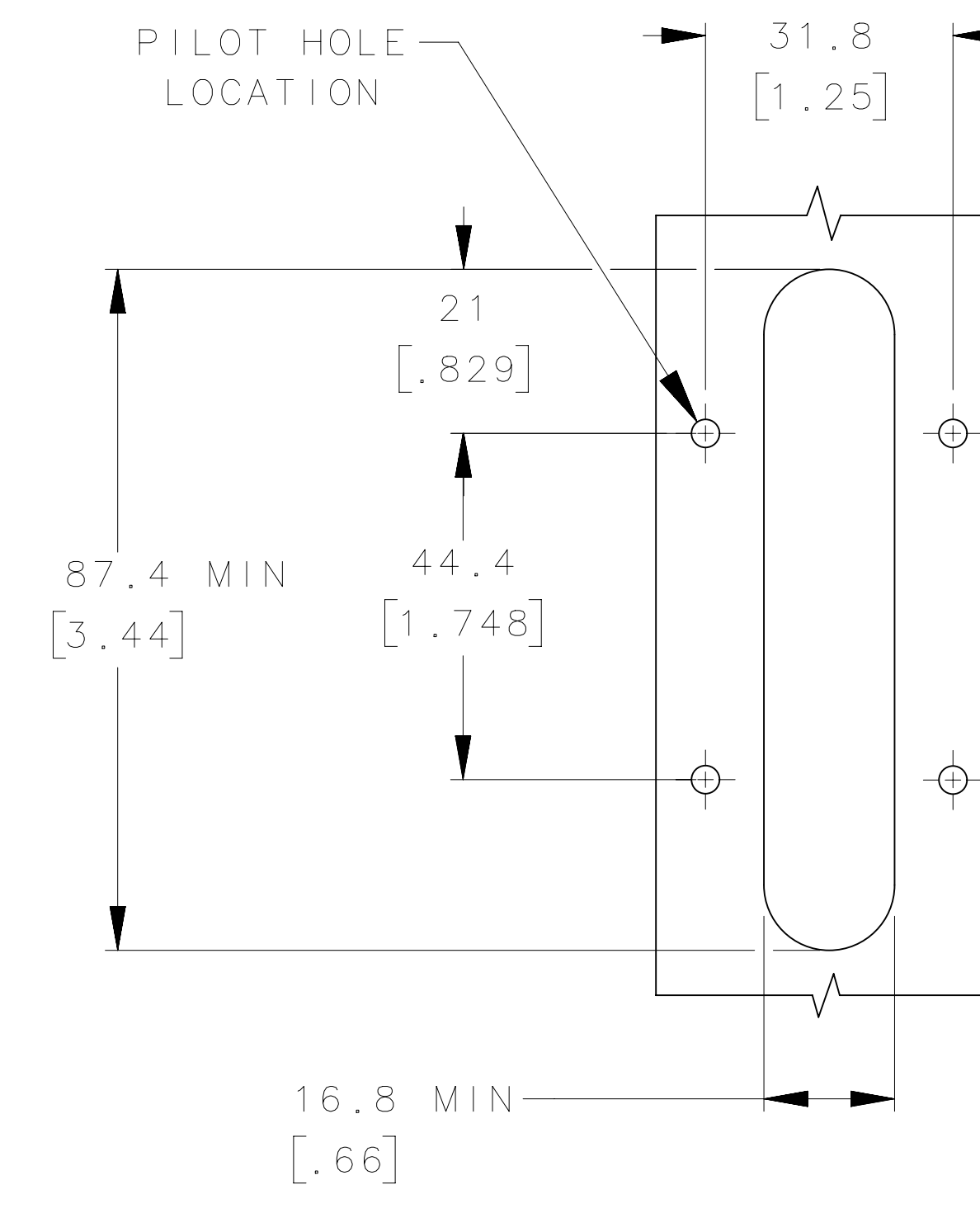
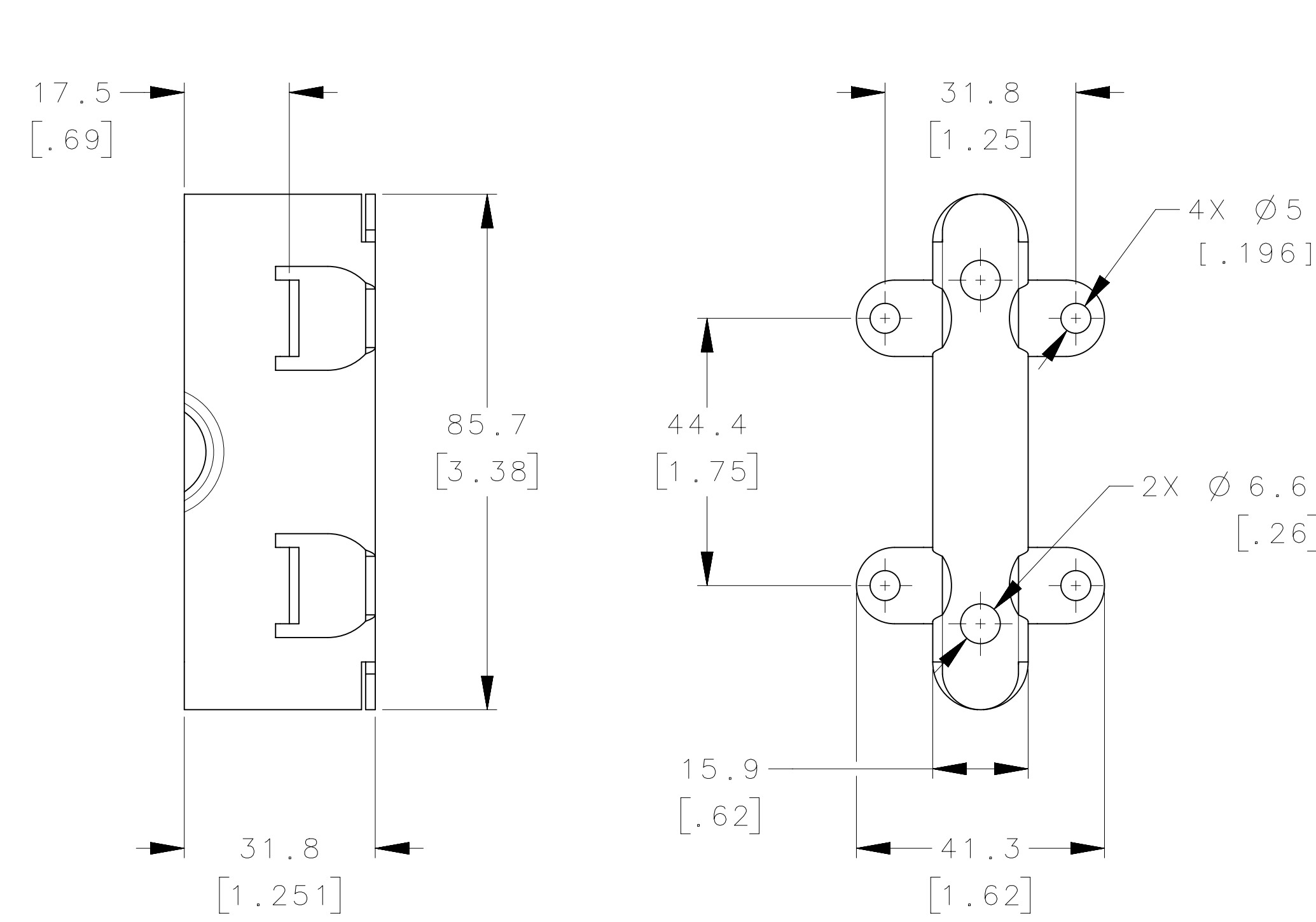


### SHALLOW TAB

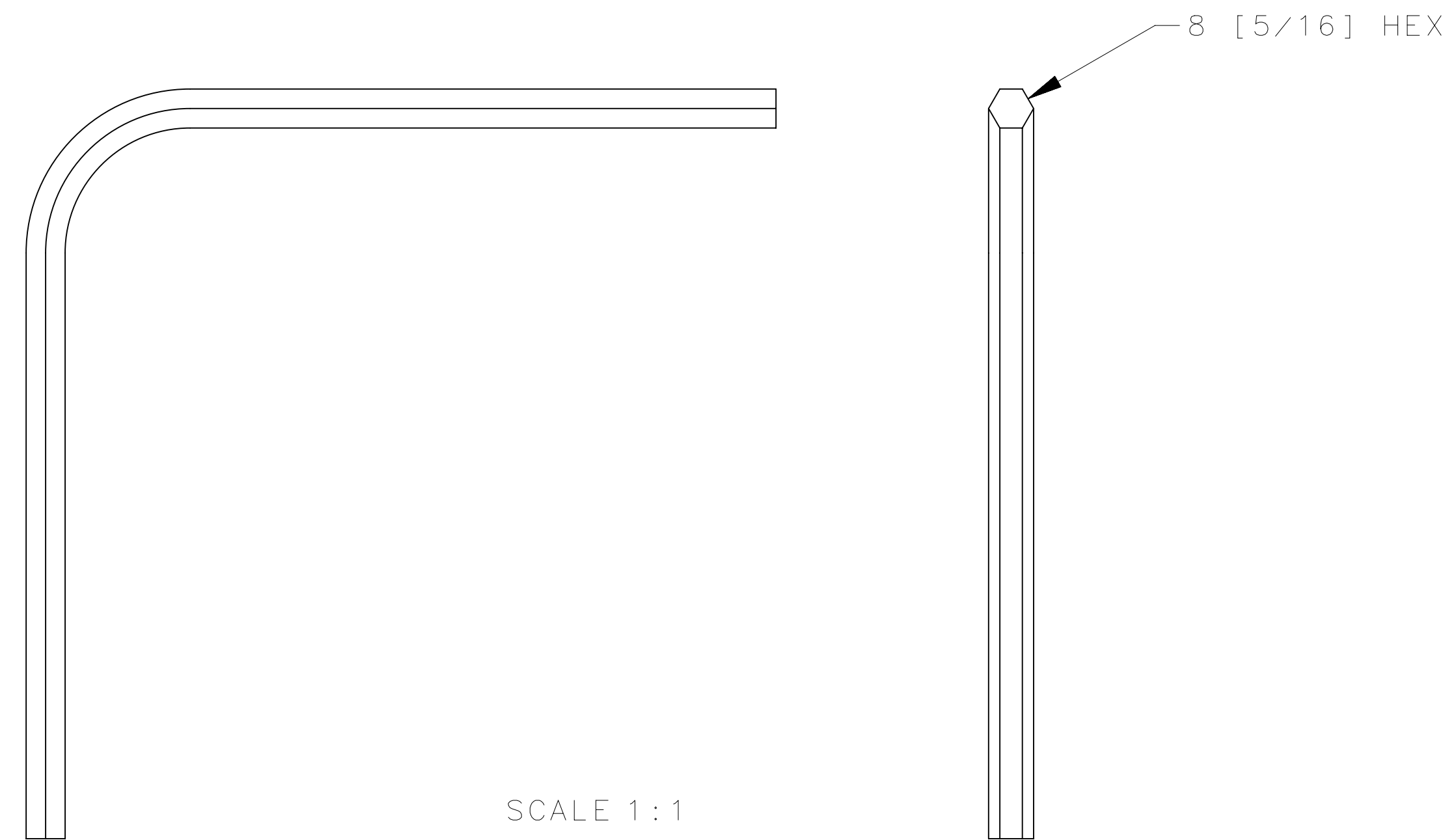
#### LATCH



#### RECEPTACLE



OPTIONAL ACTUATION TOOL  
PART NUMBER: 29-0059-02



SCALE 1:1

THIRD ANGLE PROJECTION		<b>southco</b> CONNECT · CREATE · INNOVATE	
MILLIMETERS [IN]		R2 CONCEALED DRAW LATCH	
ALL DIMENSIONS WITHOUT TOLERANCES ARE FOR REFERENCE ONLY.			
PROPRIETARY ITEM REQUEST FOR REPRODUCTION CONTACT THE ORIGINAL OR SOUTHCO FOR PERMISSION AND TERMS OF REPRODUCTION.	DATE: 20JUN2017	SCALE: 5:4	SHEET: 2 OF 2