

R4-05-SI-LOB-XX

| REVISION HISTORY | | | |
|------------------|-----------|---------|-----------------|
| REV | DATE | BY | DESCRIPTION |
| C | 31AUG2021 | SSW/MBT | PRN: P2021-1726 |

S LATCHING
 2 SINGLE STAGE
 4 TWO STAGE

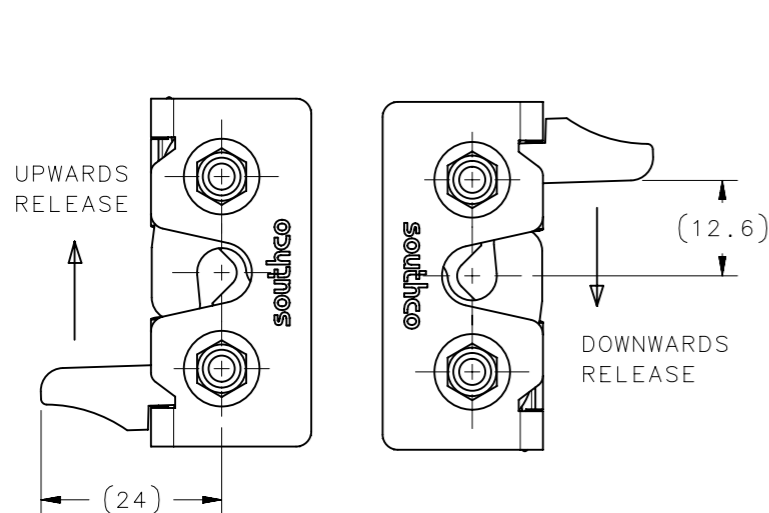
I MOUNTING OPTION
 0 4.5MM THROUGH HOLE
 1 8-32 UNC THREAD
 2 M4x0.7 THREAD
 3 4.5MM THRU HOLE WITH MOUNTING BRACKET

L LATCH SERIES
 4 HAND ACTUATED
 5 BOTTOM ACTUATED
 9A DIRECT ACTUATED

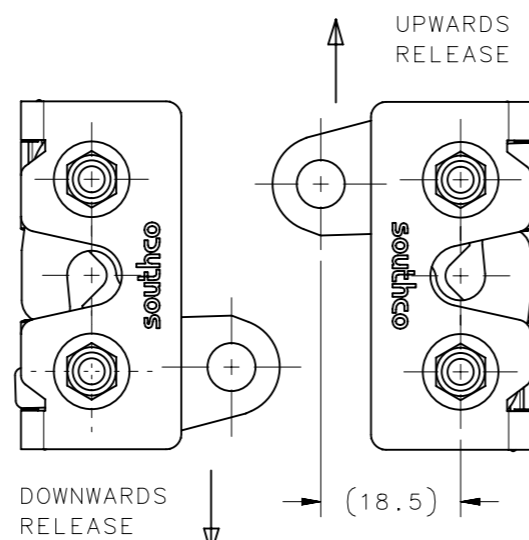
B BASE STYLE
 1 STANDARD
 5 INTEGRATED BUMPER

XX FINISH
 10 ZINC PLATED
 15 BLACK ZINC NICKEL
 77 CLEAR ZINC NICKEL

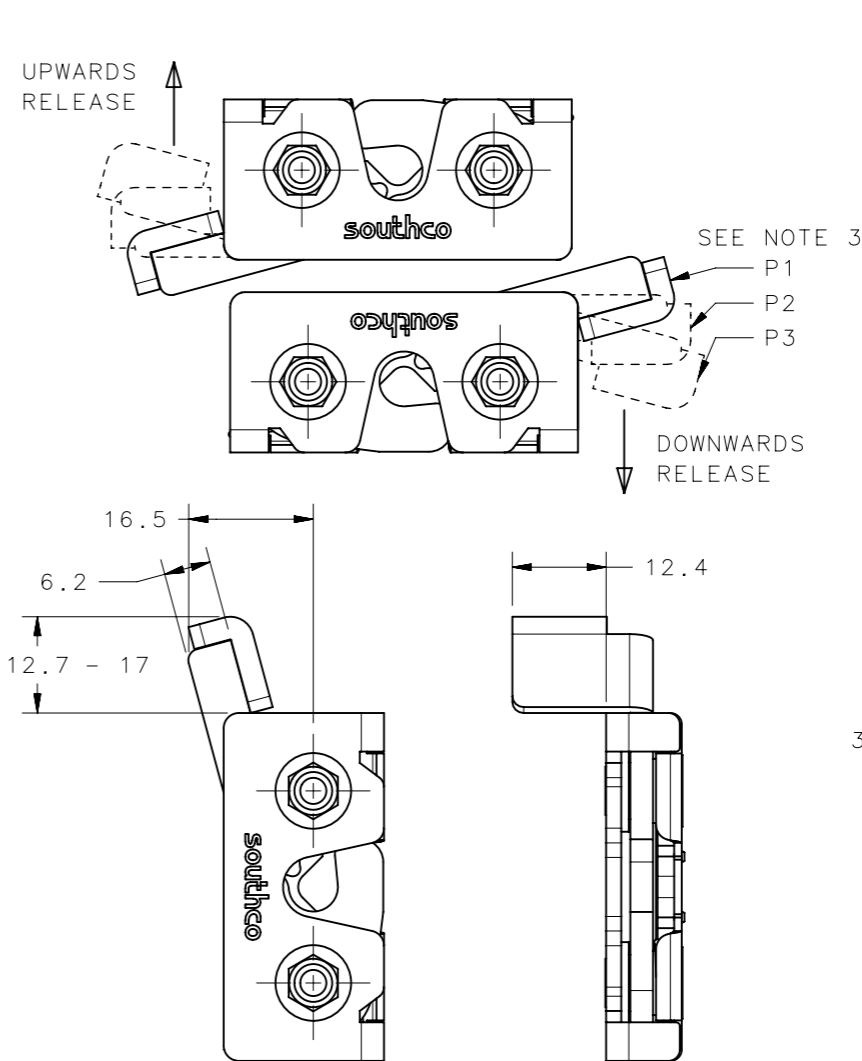
HAND ACTUATED
 R4-05-SI-40B-XX



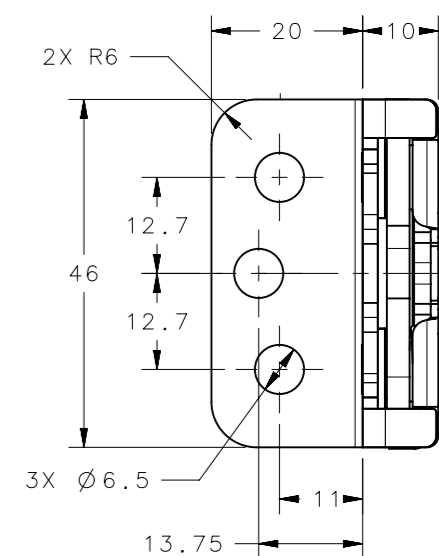
BOTTOM ACTUATED
 R4-05-SI-50B-XX



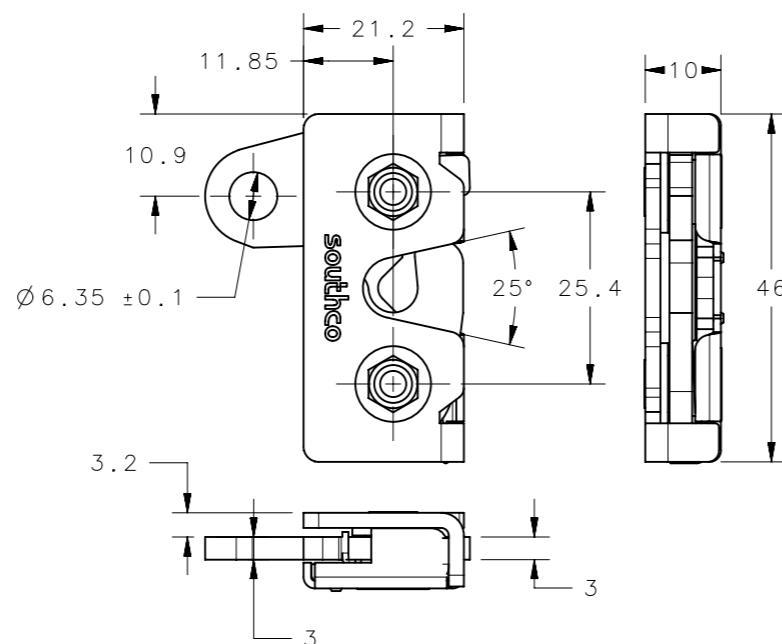
DIRECT ACTUATED
 R4-05-SI-9A0B-XX



MOUNTING BRACKET
 AVAILABLE WITH ALL
 TRIGGER TYPES



SEE PANEL PREPARATION
 DETAILS ON PAGE 3



NOTES:

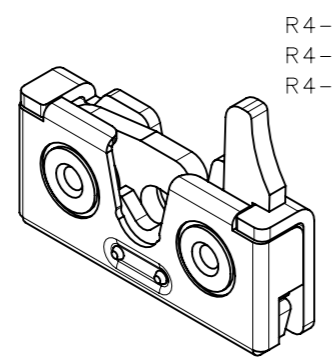
- MATERIALS:
 HOUSINGS: STEEL;
 PAWL AND TRIGGER: HARDENED STEEL;
 SPRING: STAINLESS STEEL, PASSIVATED
 BUMPER: EPDM, BLACK
- SCREW MOUNTING TIGHTENING TORQUE: MAXIMUM 4Nm (NOT APPLICABLE FOR MOUNTING BRACKET)
- TRIGGER POSITIONS:
 P1= LATCHED, TRIGGER OVERHANGS MOUNTING SURFACE.
 P2= LATCHED, TRIGGER FLUSH WITH MOUNTING SURFACE.
 P3= UNLATCHED.
- SEE TD-R4-05-J FOR TEST DATA

| | | | | | | |
|--|---------|-----------|---------|---------------------------------|--------|-------|
| THIRD ANGLE PROJECTION | | | | CONNECT · CREATE · INNOVATE | | |
| | | | | | | |
| TOLERANCES UNLESS OTHERWISE NOTED | | | | DESCRIPTION | | |
| ALL DIMENSIONS WITHOUT TOLERANCES ARE FOR REFERENCE ONLY. | | | | R4-05 ROTARY LATCH STEEL | | |
| PROPRIETARY ITEM | SIZE | SYSTEM | DWG NO. | J-R4-05-XX | | |
| EXCEPT FOR USES EXPRESSLY GRANTED IN WRITING, INFORMATION DISCLOSED HEREON IS CONFIDENTIAL AND ALL RIGHTS, PATENT AND OTHERWISE, ARE RESERVED BY SOUTHCO, INC. | A3 | NX | | DRAWN BY | DATE | SHEET |
| PER ASME Y14.5M-1994 | MTS/HDF | 12MAR2021 | SCALE | 1:1 | 1 OF 3 | |

| REVISION HISTORY | | | |
|------------------|-----------|---------|-----------------|
| REV | DATE | BY | DESCRIPTION |
| C | 31AUG2021 | SSW/MBT | PRN: P2021-1726 |

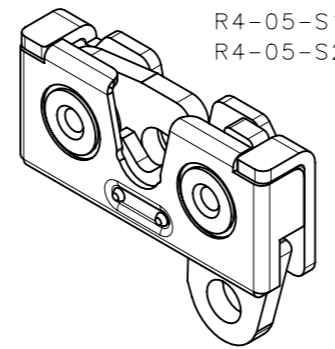
R4-05-S I - L O B - XX

- | | | | | |
|-------------------|---|-----------------------|---------------------|----------------------|
| S LATCHING | I MOUNTING OPTION | L LATCH SERIES | B BASE STYLE | XX FINISH |
| 2 SINGLE STAGE | 0 4.5MM THROUGH HOLE | 4 HAND ACTUATED | 1 STANDARD | 10 ZINC PLATED |
| 4 TWO STAGE | 1 8-32 UNC THREAD | 5 BOTTOM ACTUATED | 5 INTEGRATED BUMPER | 15 BLACK ZINC NICKEL |
| | 2 M4x0.7 THREAD | 9A DIRECT ACTUATED | | 77 CLEAR ZINC NICKEL |
| | 3 4.5MM THRU HOLE WITH MOUNTING BRACKET | | | |



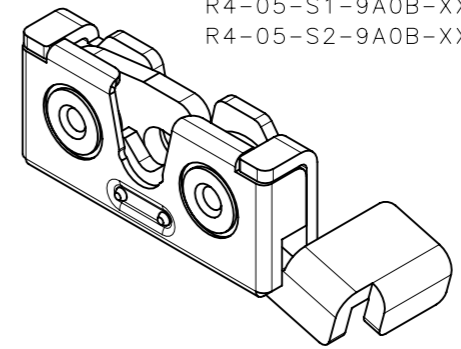
R4-05-S0-40B-XX
R4-05-S1-40B-XX
R4-05-S2-40B-XX

ISO VIEW
HAND ACTUATED



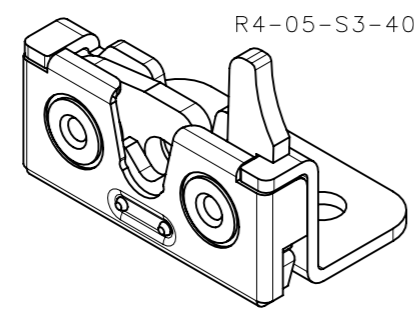
R4-05-S0-50B-XX
R4-05-S1-50B-XX
R4-05-S2-50B-XX

ISO VIEW
BOTTOM ACTUATED



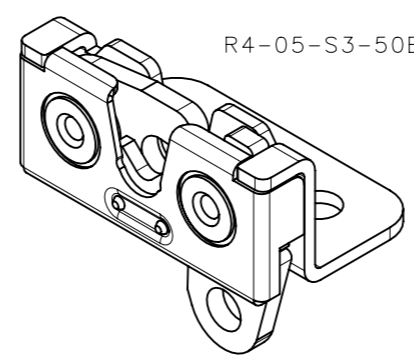
R4-05-S0-9A0B-XX
R4-05-S1-9A0B-XX
R4-05-S2-9A0B-XX

ISO VIEW
DIRECT ACTUATED



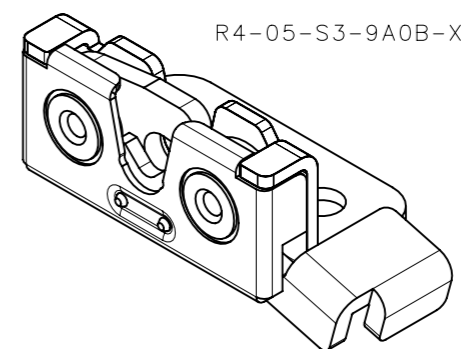
R4-05-S3-40B-XX

HAND ACTUATED WITH
MOUNTING BRACKET OPTION



R4-05-S3-50B-XX

BOTTOM ACTUATED WITH
MOUNTING BRACKET OPTION

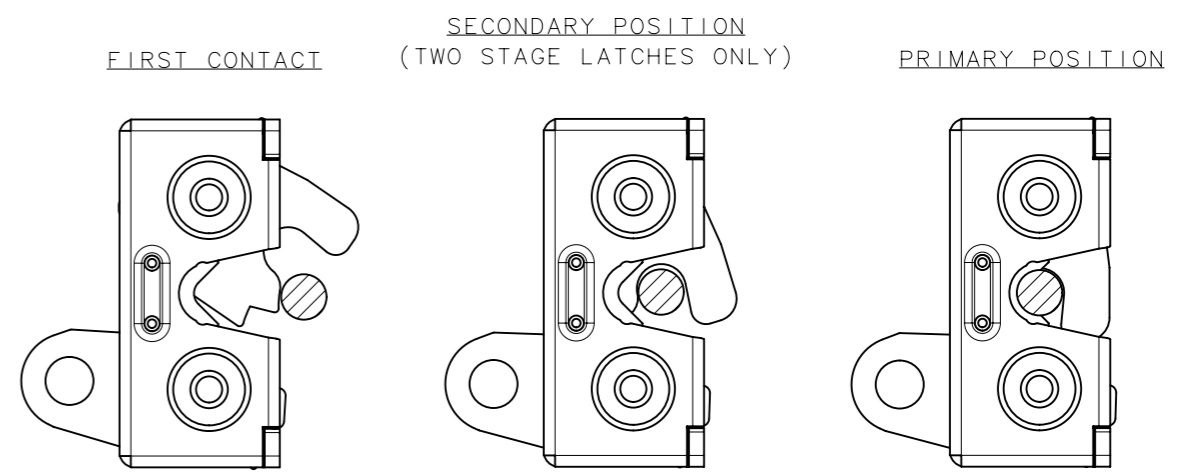
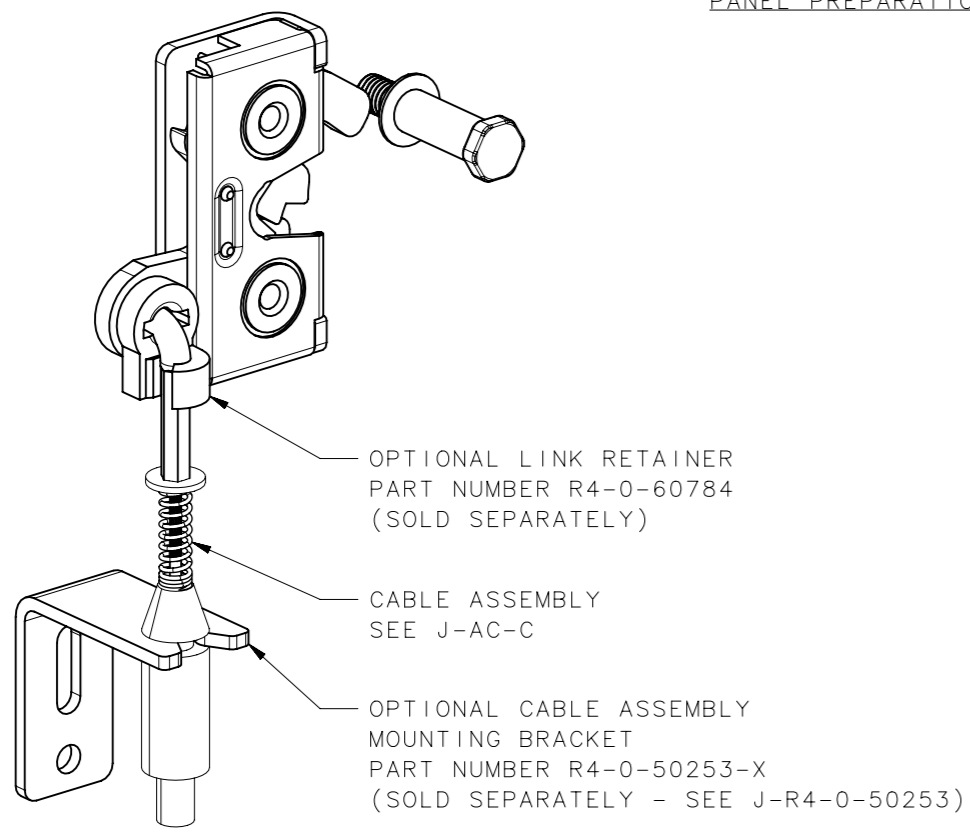
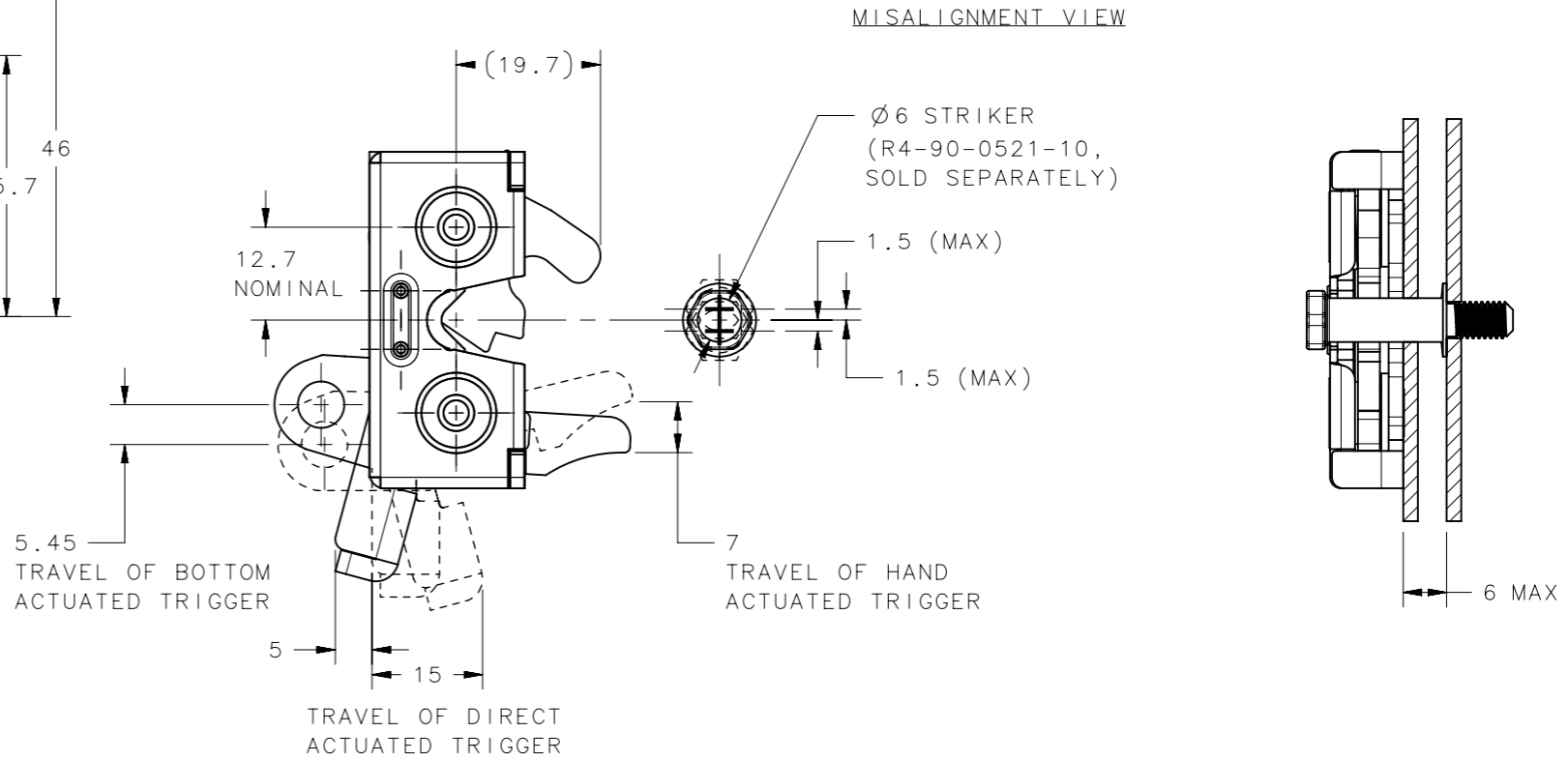
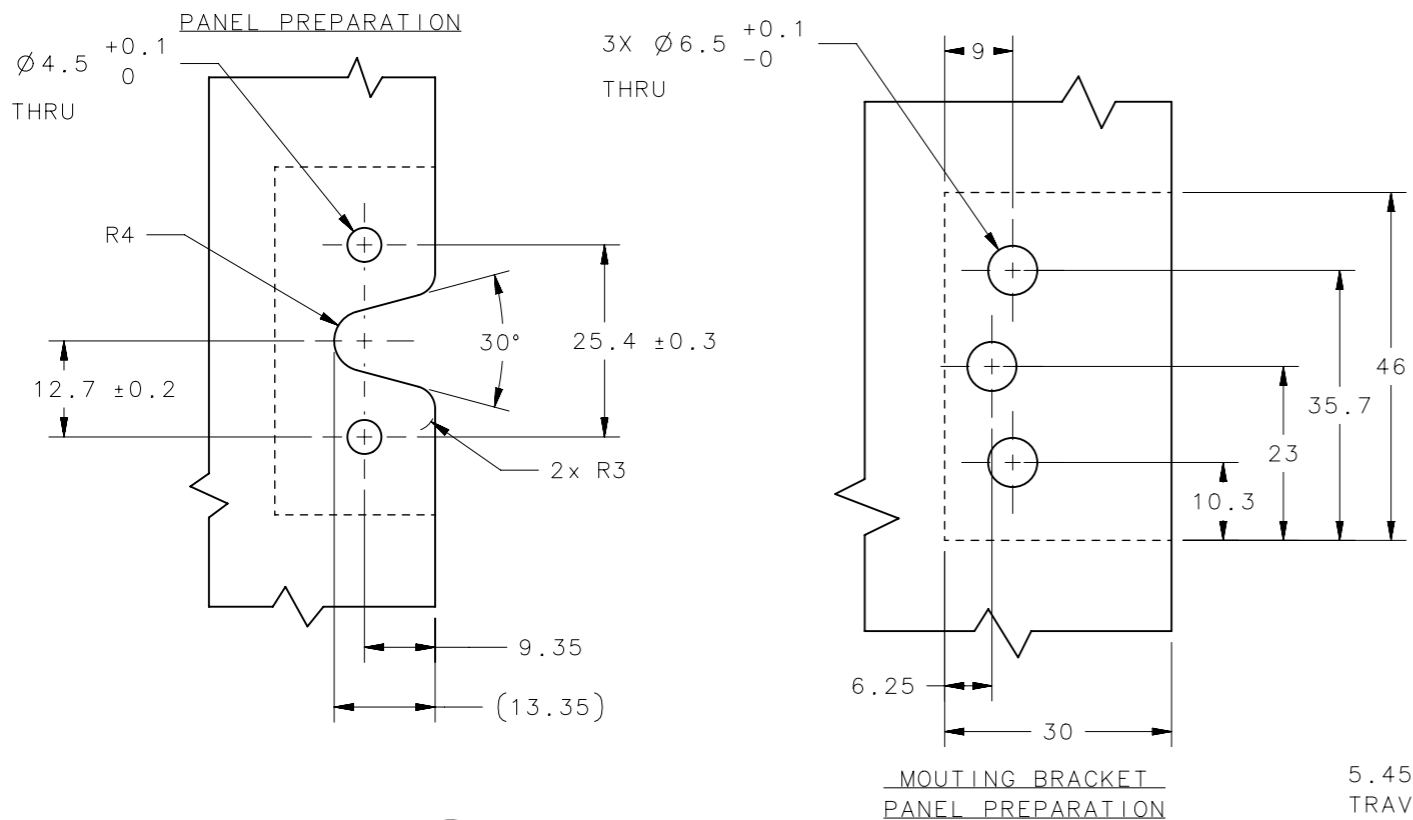


R4-05-S3-9A0B-XX

DIRECT ACTUATED WITH
MOUNTING BRACKET OPTION

| | | | | |
|---|--|-------------------|--------------|-----------------------|
| THIRD ANGLE PROJECTION | southco [®] CONNECT • CREATE • INNOVATE | | | |
| | MILLIMETERS [IN] | | | |
| | TOLERANCES UNLESS OTHERWISE NOTED | | | |
| | ALL DIMENSIONS WITHOUT TOLERANCES ARE FOR REFERENCE ONLY. | | | |
| PROPRIETARY ITEM <small>EXCEPT FOR USES EXPRESSLY GRANTED IN WRITING, INFORMATION DISCLOSED HEREON IS CONFIDENTIAL AND ALL RIGHTS, PATENT AND OTHERWISE, ARE RESERVED BY SOUTHCO, INC.</small> | DESCRIPTION R4-05 ROTART LATCH STEEL | SIZE A3 | SYSTEM NX | DWG NO. J-R4-05-XX |
| PER ASME Y14.5M-1994 | DRAWN BY MTS/HDF | DATE 12MAR2021 | SCALE 1:1 | SHEET 2 OF 3 |

| REVISION HISTORY | | | |
|------------------|-----------|---------|-----------------|
| REV | DATE | BY | DESCRIPTION |
| C | 31AUG2021 | SSW/MBT | PRN: P2021-1726 |



NOTES:
 A. THE TOLERANCE BETWEEN THE LATCH AND STRIKER BOLT ASSUMES A NON-RIGID DOOR INSTALLATION THAT WILL ALLOW THE DOOR TO MOVE INTO THE NOMINAL POSITION DURING LATCHING. RIGID DOORS MUST HAVE THE STRIKER INSTALLED PER THE PANEL PREPARATION RECOMMENDATION.
 B. THE MISALIGNMENT VIEW ASSUMES THE LATCH IS CONNECTED TO A PERFECTLY RIGID DOOR AND HINGE; THEREFORE, THERE IS NO DOOR AND/OR HINGE SLACK ASSOCIATED WITH THESE DIMENSIONS. THE MISALIGNMENT VIEW DOES NOT TAKE FLEXING OF THE STRIKER BOLT INTO ACCOUNT.

| | | | | | | |
|--|----------------------|--------------------------|----------------|--|-----------|--|
| THIRD ANGLE PROJECTION | | | | southco [®] CONNECT • CREATE • INNOVATE | | |
| | | | | | | |
| TOLERANCES UNLESS OTHERWISE NOTED | | DESCRIPTION | | | | |
| ALL DIMENSIONS WITHOUT TOLERANCES ARE FOR REFERENCE ONLY. | | R4-05 ROTARY LATCH STEEL | | | | |
| PROPRIETARY ITEM | PER ASME Y14.5M-1994 | SIZE A3 | SYSTEM NX | DWG NO. J-R4-05-XX | SCALE 1:1 | |
| EXCEPT FOR USES EXPRESSLY GRANTED IN WRITING, INFORMATION DISCLOSED HEREON IS CONFIDENTIAL AND ALL RIGHTS, PATENT AND OTHERWISE, ARE RESERVED BY SOUTHCO, INC. | | DRAWN BY MTS/HDF | DATE 12MAR2021 | SHEET 3 OF 3 | | |