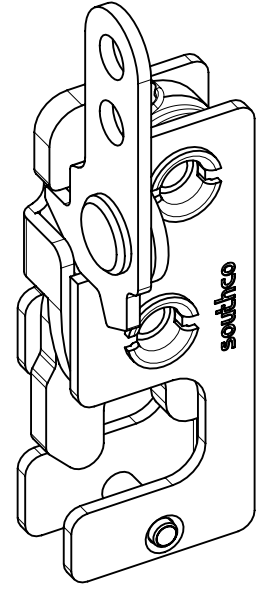
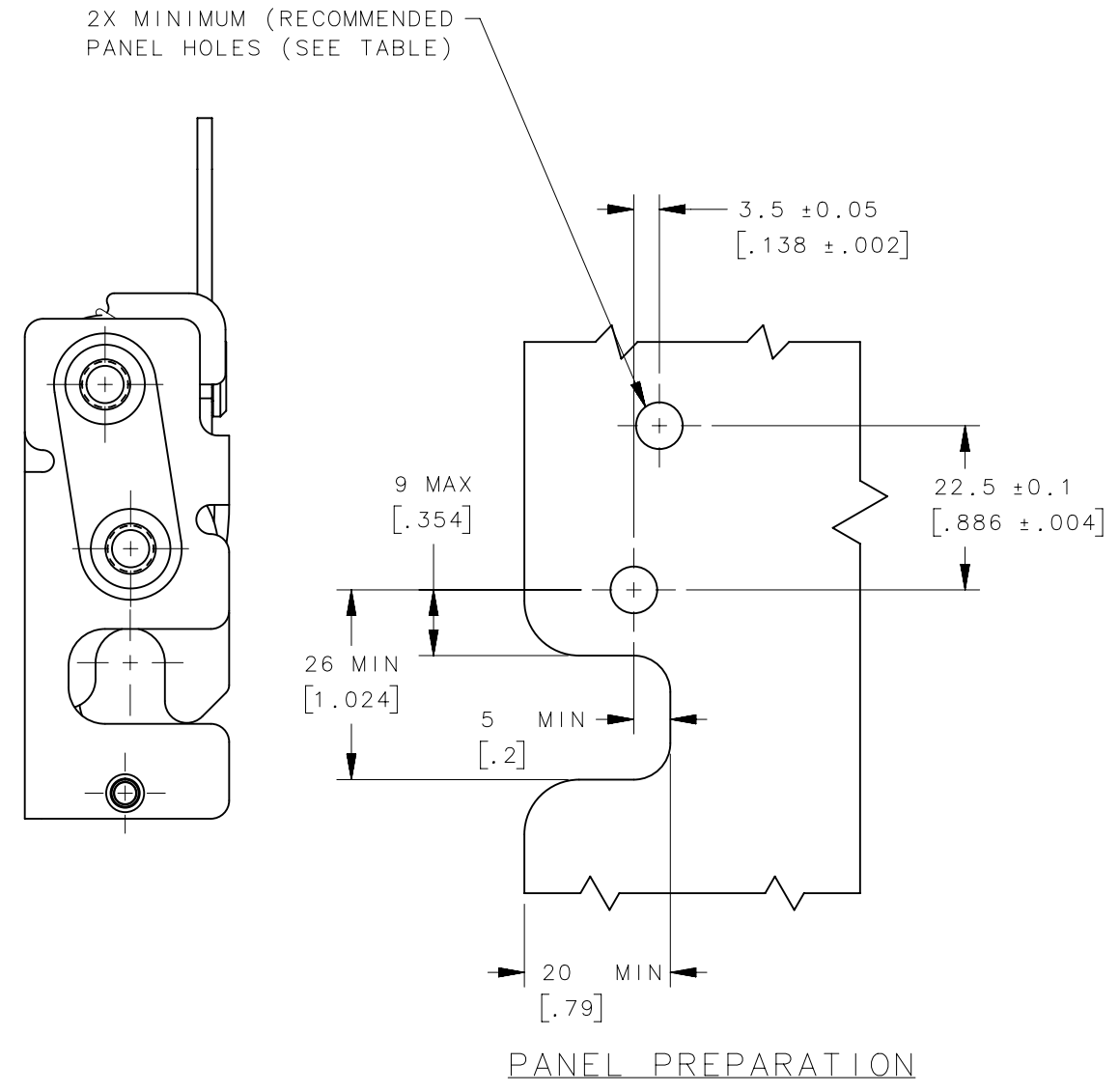
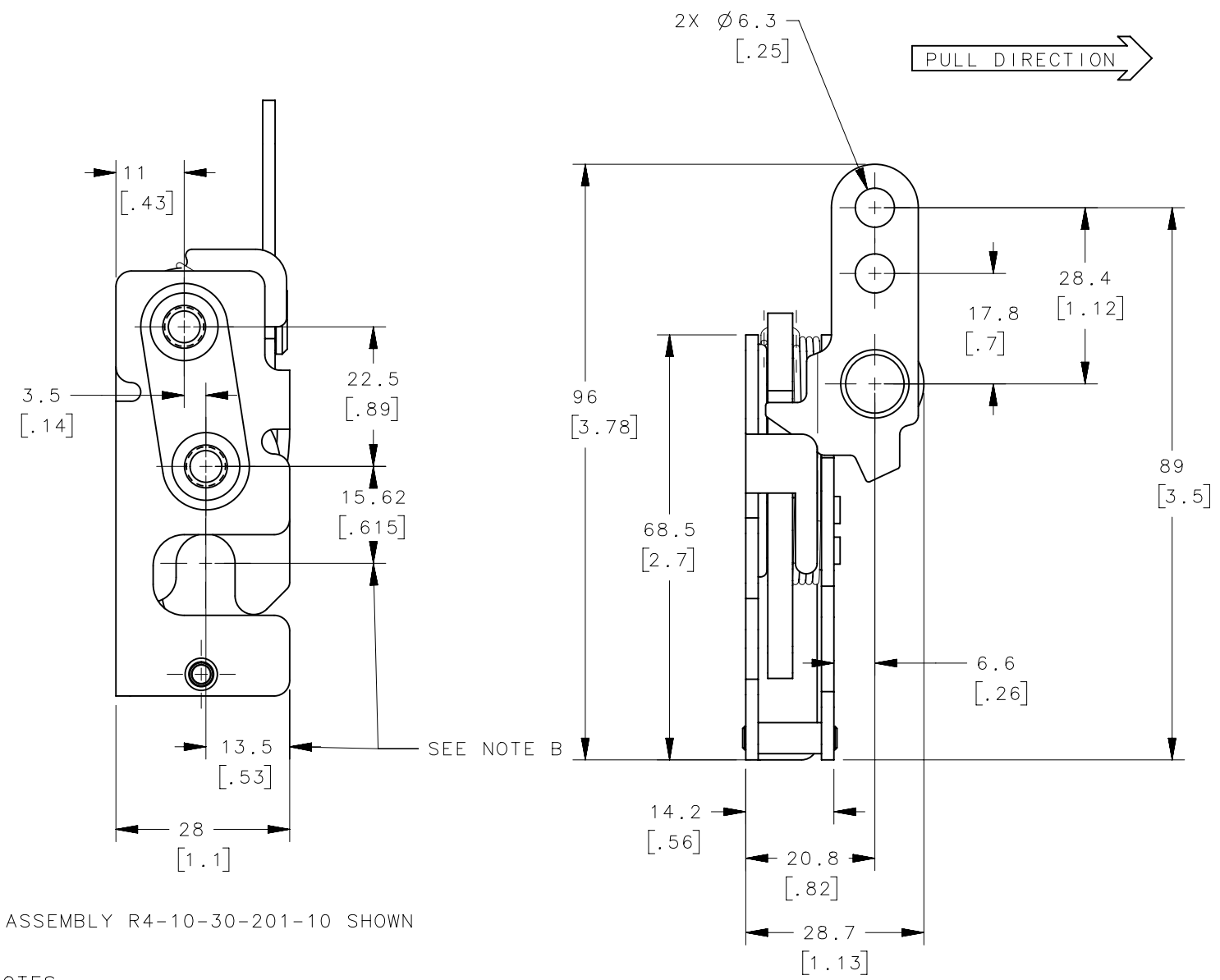


REVISION HISTORY			
REV	DATE	BY	DESCRIPTION
C	27JUL2021	KSH/HPD	PRN: P2021-1536



ASSEMBLY R4-10-30-201-10 SHOWN

NOTES:

A. MATERIAL AND FINISH:

- HOUSING, LEVER AND INTERNAL COMPONENTS:  
MATERIAL - STEEL  
-10 ZINC PLATED, BRIGHT CHROMATE  
-77 ZINC NICKEL, BRIGHT CHROMATE
- PAWL AND TRIGGER:  
MATERIAL - HARDENED STEEL  
-10 ZINC PLATED, BRIGHT CHROMATE  
-77 ZINC NICKEL, BRIGHT CHROMATE  
ZINC PLATE CHROMATE.
- SPRING: STAINLESS STEEL, PASSIVATED

B. THESE DIMENSIONS REQUIRED FOR MOUNTING STRIKER BOLT.

C. Ø6.3 (.25) LEVER HOLES USE OPTIONAL CABLE RETAINER R4-0-43922 SOLD SEPARATELY.

R4-10-30-201-77	Ø 7.2mm THRU	SEE NOTE A	SEE NOTE A
R4-10-31-201-77	1/4-20 THREAD		
R4-10-32-201-77	M6 THREAD		
R4-10-30-201-10	Ø 7.2mm THRU		
R4-10-31-201-10	1/4-20 THREAD		
R4-10-32-201-10	M6 THREAD		
ASSEMBLY PART NUMBER	LATCH MOUNTING HOLE	MATERIAL	FINISH

THIRD ANGLE PROJECTION			
MILLIMETERS [IN]			
TOLERANCES UNLESS OTHERWISE NOTED	DESCRIPTION R4 MINI TWO STAGE ROTARY LATCH INLINE - RIGHT HAND		
ALL DIMENSIONS WITHOUT TOLERANCES ARE FOR REFERENCE ONLY.	SIZE B	SYSTEM NX	DWG NO. J-R4-10-30-201
PER ASME Y14.5M-1994	DRAWN BY DJK	DATE 26APR2012	SCALE 1:1 SHEET 1 OF 2

PROPRIETARY ITEM  
EXCEPT FOR USES EXPRESSLY GRANTED  
IN WRITING, INFORMATION DISCLOSED  
HEREON IS CONFIDENTIAL AND ALL  
RIGHTS, PATENT AND OTHERWISE,  
ARE RESERVED BY SOUTHCO, INC.

6

5

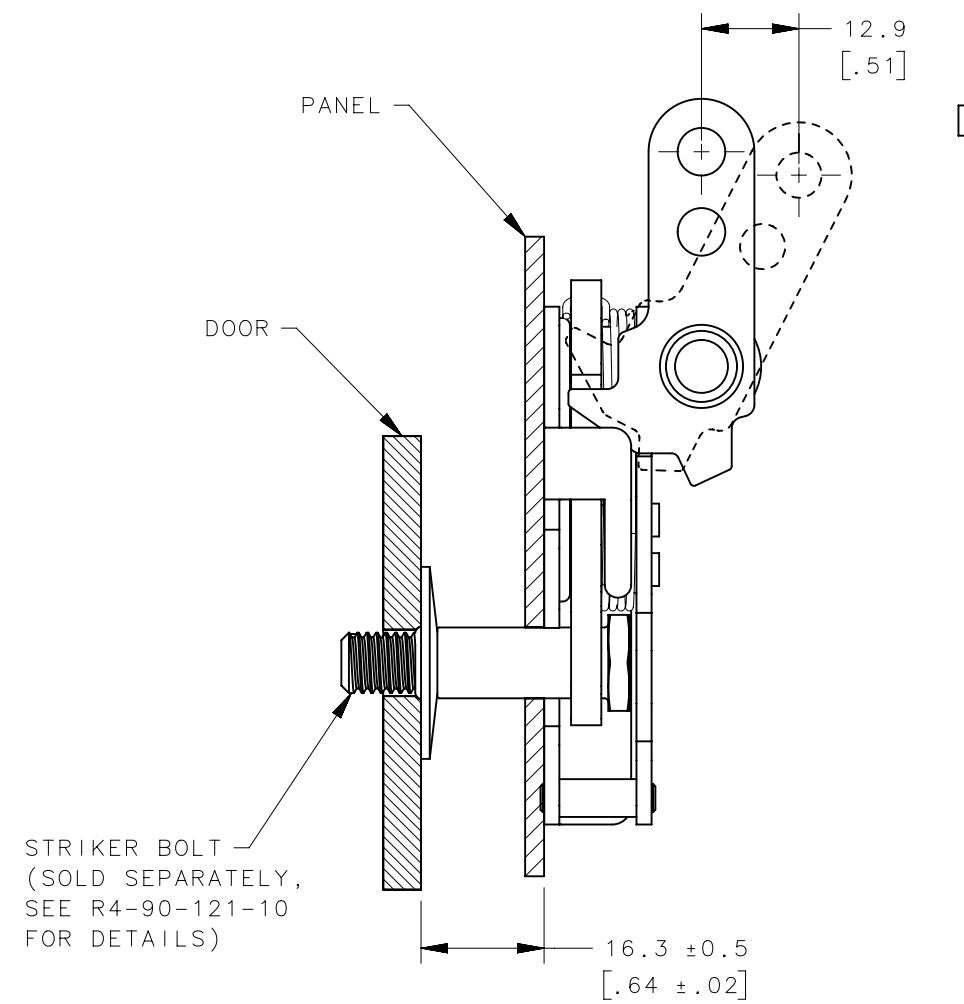
4

3

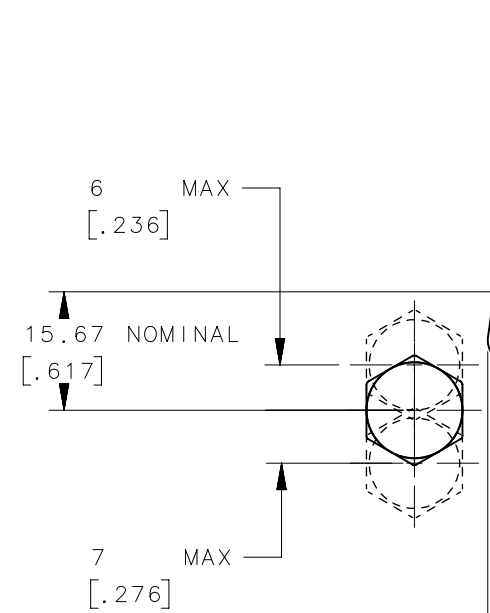
2

1

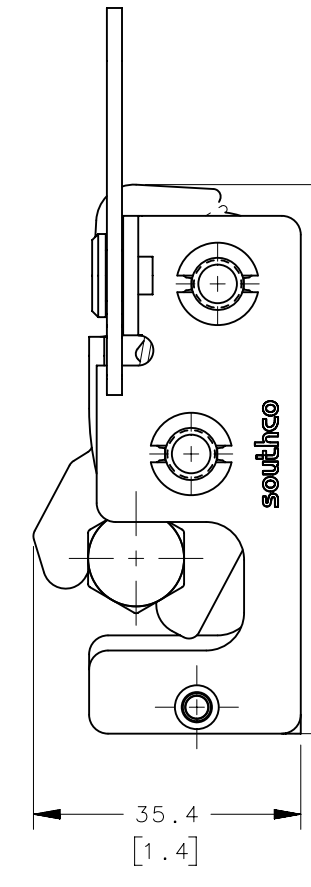
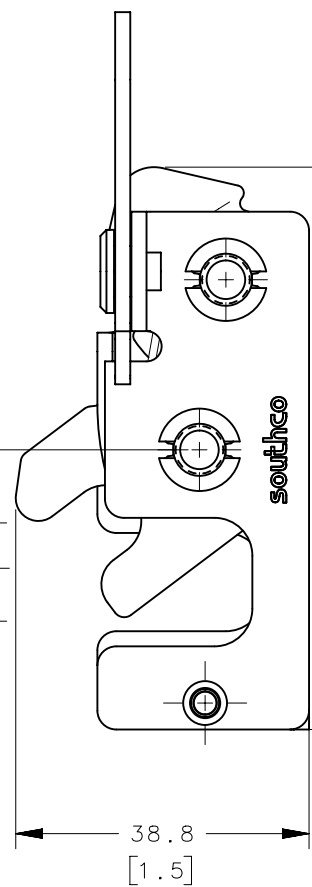
REVISION HISTORY			
REV	DATE	BY	DESCRIPTION
C	27JUL2021	KSH/HPD	PRN: P2021-1536



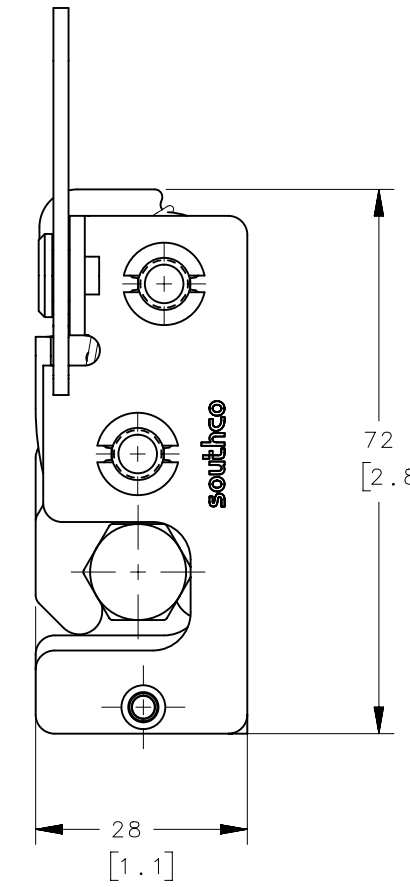
ASSEMBLY R4-10-30-201-10 SHOWN



MISALIGNMENT VIEW  
SEE NOTE B  
PRIMARY VIEW



SECONDARY VIEW



LATCHED STAGE

- NOTES:
- A. THE TOLERANCE BETWEEN THE LATCH AND STRIKER BOLT ASSUMES A NON-RIGID DOOR INSTALLATION THAT WILL ALLOW THE DOOR TO MOVE INTO THE NOMINAL POSITION DURING LATCHING. RIGID DOORS MUST HAVE THE STRIKER INSTALLED PER THE PANEL PREPARATION RECOMMENDATION.
  - B. THE MISALIGNMENT VIEW ASSUMES THE LATCH IS CONNECTED TO A PERFECTLY RIGID DOOR AND HINGE; THEREFORE, THERE IS NO DOOR AND/OR HINGE SLACK ASSOCIATED WITH THESE DIMENSIONS. THE MISALIGNMENT VIEW DOES NOT TAKE FLEXING OF THE STRIKER BOLT INTO ACCOUNT.

R4-10-30-201-77	∅ 7.2mm THRU	∅ 7.6 [.299]
R4-10-31-201-77	1/4-20 THREAD	∅ 6.8 [.268]
R4-10-32-201-77	M6 THREAD	∅ 6.4 [.252]
R4-10-30-201-10	∅ 7.2mm THRU	∅ 7.6 [.299]
R4-10-31-201-10	1/4-20 THREAD	∅ 6.8 [.268]
R4-10-32-201-10	M6 THREAD	∅ 6.4 [.252]
ASSEMBLY PART NUMBER	LATCH MOUNTING HOLE	MINIMUM RECOMMENDED PANEL HOLE

THIRD ANGLE PROJECTION		<b>southco</b> CONNECT • CREATE • INNOVATE	
MILLIMETERS [IN]			
SURFACE AREA		DESCRIPTION R4 MINI TWO STAGE ROTARY LATCH INLINE - RIGHT HAND	
VOLUME			
PROPRIETARY ITEM EXCEPT FOR USES EXPRESSLY GRANTED IN WRITING, INFORMATION DISCLOSED HEREON IS CONFIDENTIAL AND ALL RIGHTS, PATENT AND OTHERWISE, ARE RESERVED BY SOUTHCO, INC.		SIZE B	SYSTEM NX
PER ASME Y14.5M-1994		DWG NO. J-R4-10-30-201	DATE 26APR2012
		SCALE 1:1	SHEET 2 OF 2

6

5

4

3

2

1