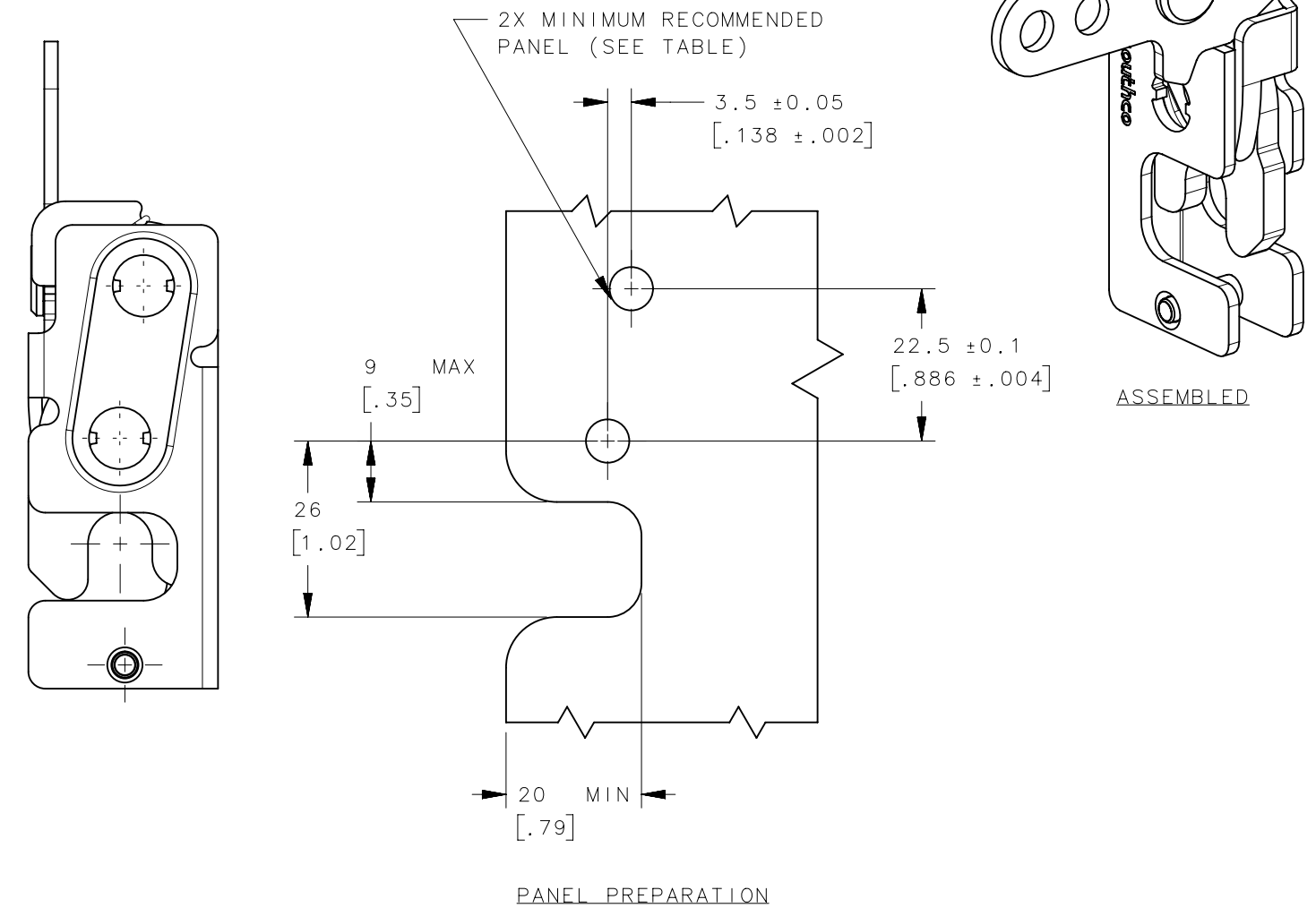
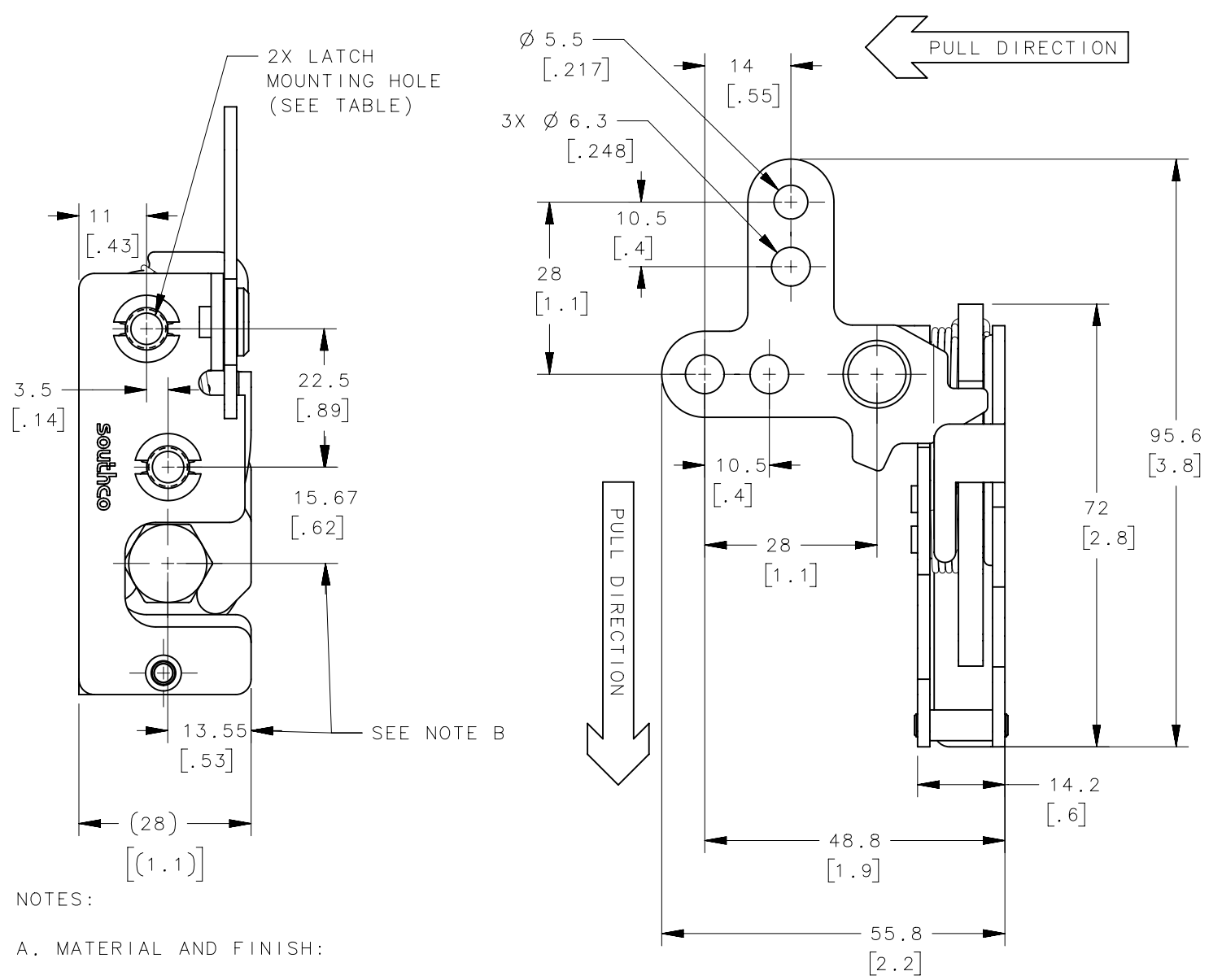


REVISION HISTORY			
REV	DATE	BY	DESCRIPTION
D	28JUL2021	KSH/HPD	PRN: P2021-1536



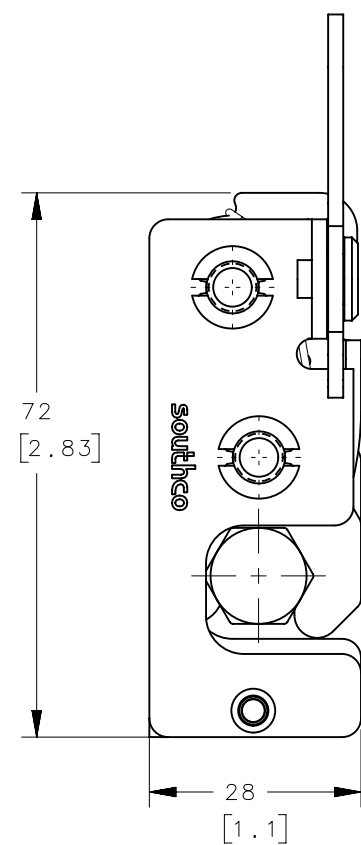
- NOTES:
- A. MATERIAL AND FINISH:
    - HOUSING, LEVER AND INTERNAL COMPONENTS: MATERIAL - STEEL
    - 10 ZINC PLATED, BRIGHT CHROMATE
    - 77 ZINC NICKEL, BRIGHT CHROMATE
    - PAWL AND TRIGGER: MATERIAL - HARDENED STEEL
    - 10 ZINC PLATED, BRIGHT CHROMATE
    - 77 ZINC NICKEL, BRIGHT CHROMATE
    - ZINC PLATE CHROMATE.
    - SPRING: STAINLESS STEEL, PASSIVATED
  - B. THESE DIMENSIONS REQUIRED FOR MOUNTING STRIKER BOLT.
  - C. Ø 6.3 (.25) LEVER HOLES USE OPTIONAL CABLE RETAINER R4-0-43922 SOLD SEPARATELY.

R4-10-40-301-77	Ø 7.2mm THRU	SEE NOTE A	SEE NOTE A
R4-10-41-301-77	1/4-20 THREAD		
R4-10-42-301-77	M6 THREAD		
R4-10-40-301-10	Ø 7.2mm THRU		
R4-10-41-301-10	1/4-20 THREAD		
R4-10-42-301-10	M6 THREAD		
ASSEMBLY PART NUMBER	LATCH MOUNTING HOLE	MATERIAL	FINISH

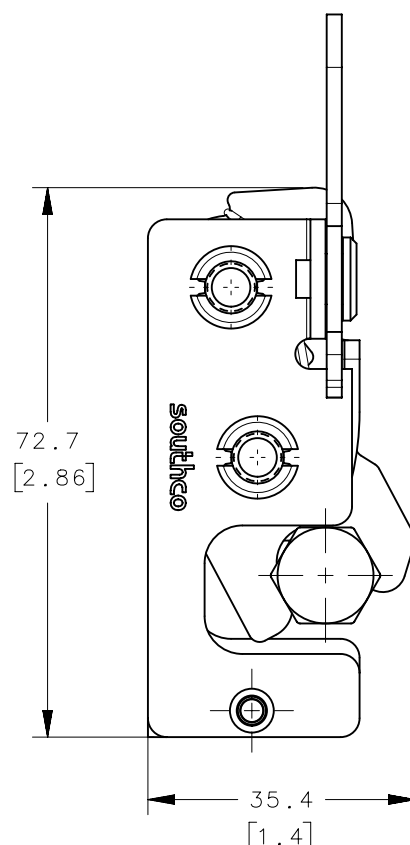
THIRD ANGLE PROJECTION				<b>southco</b> <sup>®</sup> CONNECT • CREATE • INNOVATE	
MILLIMETERS [IN]					
TOLERANCES UNLESS OTHERWISE NOTED	DESCRIPTION <b>R4 MINI TWO STAGE ROTARY LATCH</b> <b>TWO POINT ACTUATION - LEFT HAND</b>				
ALL DIMENSIONS WITHOUT TOLERANCES ARE FOR REFERENCE ONLY.	SIZE B	SYSTEM NX	DWG NO. J-R4-10-40-301	SCALE 1:1	SHEET 1 OF 2
PER ASME Y14.5M-1994	DRAWN BY DJK	DATE 26APR2012			

PROPRIETARY ITEM  
EXCEPT FOR USES EXPRESSLY GRANTED IN WRITING, INFORMATION DISCLOSED HEREON IS CONFIDENTIAL AND ALL RIGHTS, PATENT AND OTHERWISE, ARE RESERVED BY SOUTHCO, INC.

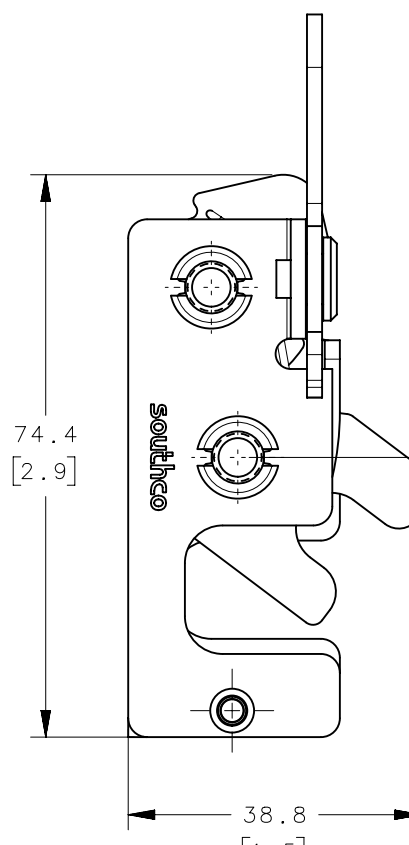
REVISION HISTORY			
REV	DATE	BY	DESCRIPTION
D	28JUL2021	KSH/HPD	PRN: P2021-1536



LATCHED STAGE

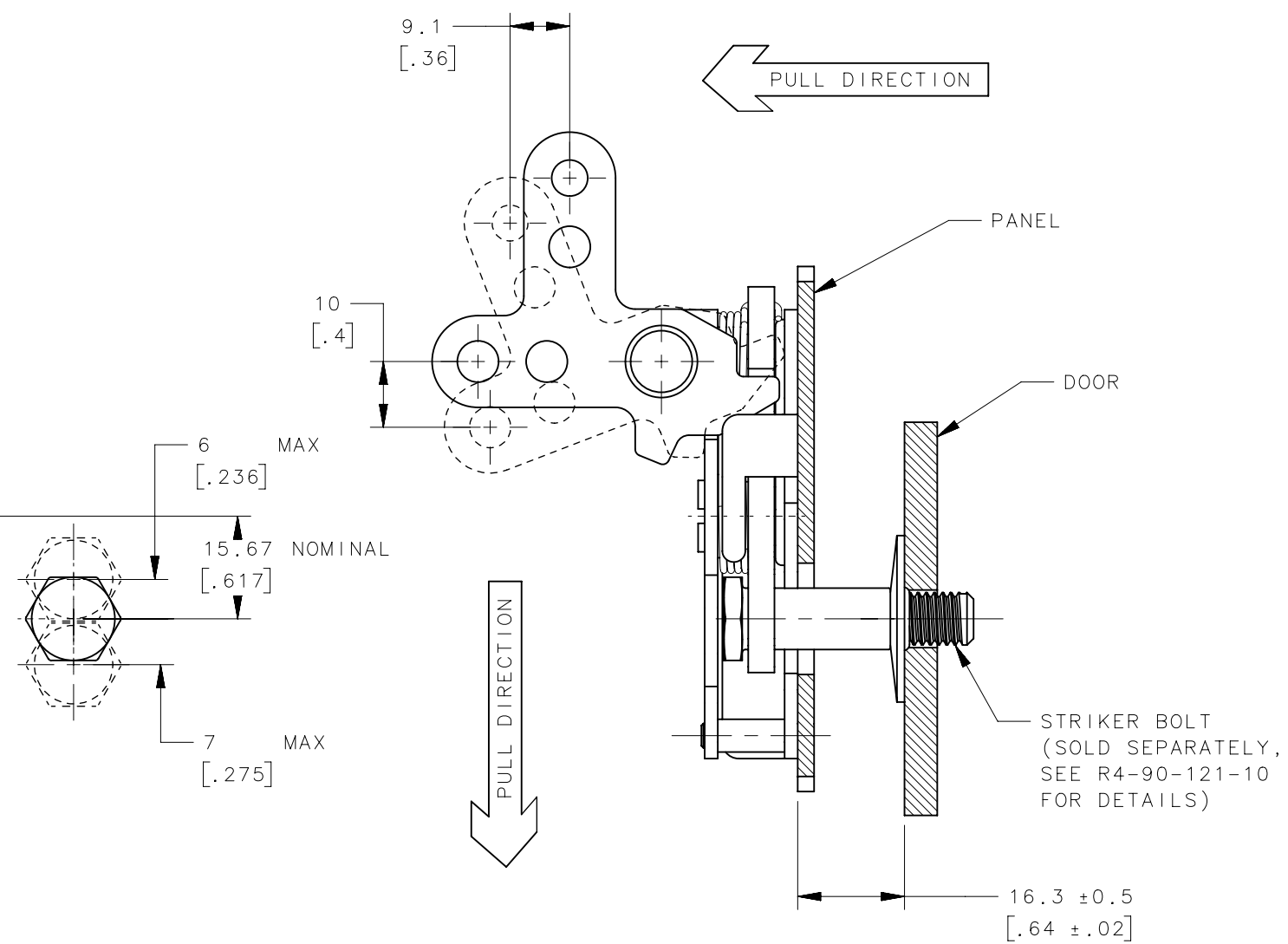


SECONDARY STAGE



MISALIGNMENT VIEW

PRIMARY STAGE



- NOTES:
- A. THE TOLERANCE BETWEEN THE LATCH AND STRIKER BOLT ASSUMES A NON-RIGID DOOR INSTALLATION THAT WILL ALLOW THE DOOR TO MOVE INTO THE NOMINAL POSITION DURING LATCHING. RIGID DOORS MUST HAVE THE STRIKER INSTALLED PER THE PANEL PREPARATION RECOMMENDATION.
  - B. THE MISALIGNMENT VIEW ASSUMES THE LATCH IS CONNECTED TO A PERFECTLY RIGID DOOR AND HINGE; THEREFORE, THERE IS NO DOOR AND/OR HINGE SLACK ASSOCIATED WITH THESE DIMENSIONS. THE MISALIGNMENT VIEW DOES NOT TAKE FLEXING OF THE STRIKER BOLT INTO ACCOUNT.

R4-10-40-301-77	Ø 7.2mm THRU	Ø 7.6 [.299]
R4-10-41-301-77	1/4-20 THREAD	Ø 6.8 [.268]
R4-10-42-301-77	M6 THREAD	Ø 6.4 [.252]
R4-10-40-301-10	Ø 7.2mm THRU	Ø 7.6 [.299]
R4-10-41-301-10	1/4-20 THREAD	Ø 6.8 [.268]
R4-10-42-301-10	M6 THREAD	Ø 6.4 [.252]
ASSEMBLY PART NUMBER	LATCH MOUNTING HOLE	MINIMUM RECOMMENDED PANEL HOLE

THIRD ANGLE PROJECTION		 CONNECT • CREATE • INNOVATE	
MILLIMETERS [IN]			
SURFACE AREA		DESCRIPTION	
VOLUME		R4 MINI TWO STAGE ROTARY LATCH TWO-POINT - LEFT HAND	
PROPRIETARY ITEM <small>EXCEPT FOR USES EXPRESSLY GRANTED IN WRITING, INFORMATION DISCLOSED HEREON IS CONFIDENTIAL AND ALL RIGHTS, PATENT AND OTHERWISE, ARE RESERVED BY SOUTHCO, INC.</small>		SIZE B	SYSTEM NX
PER ASME Y14.5M-1994		DWG NO. J-R4-10-40-301	DATE 26APR2012
		SCALE 1:1	SHEET 2 OF 2