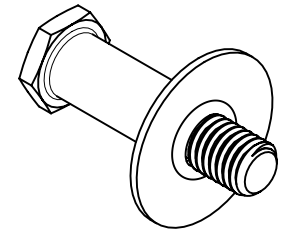
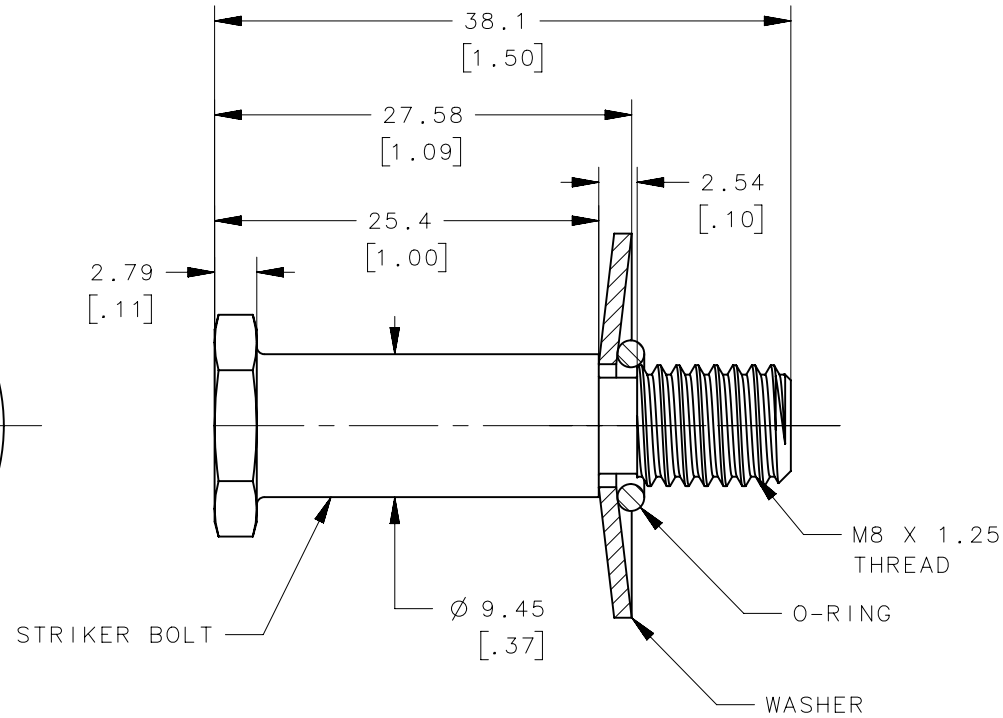
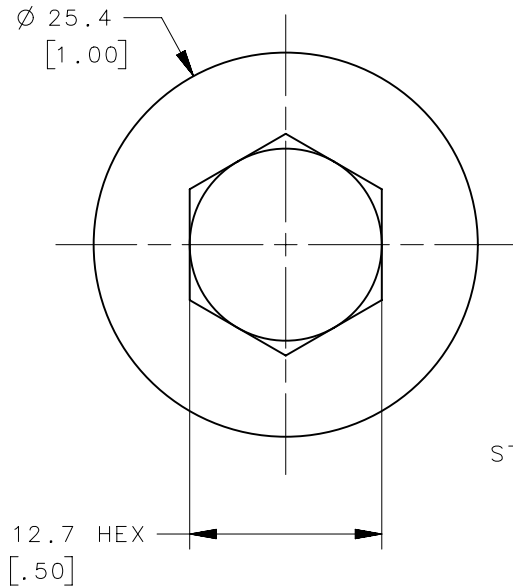


| REVISION HISTORY | | | |
|------------------|-------------|---------|-----------------|
| REV | DATE | BY | DESCRIPTION |
| C | 03 DEC 2011 | DMS/YGC | PRN: P2011-1594 |



REF. VIEW
SCALE 1:1

| PART NUMBER | ITEM | MATERIAL | FINISH |
|--------------|--------------|---------------------|------------------------------|
| R4-90-121-10 | ASSEMBLY | - | - |
| - | STRIKER BOLT | STEEL | ZINC PLATED, BRIGHT CHROMATE |
| - | WASHER | STAINLESS STEEL | PASSIVATED |
| - | O-RING | 70 DUROMETER BUNA N | NATURAL |
| R4-90-121-20 | ASSEMBLY | - | - |
| - | STRIKER BOLT | STAINLESS STEEL | PASSIVATED |
| - | WASHER | STAINLESS STEEL | PASSIVATED |
| - | O-RING | 70 DUROMETER BUNA N | NATURAL |

NOTE:
1. TO BE USED WITH SOUTHCO STANDARD R4-10 SERIES LATCHES.

| | | | | |
|---|---|---------------------------------|-----------------------|---------|
| PROPRIETARY ITEM <small>EXCEPT FOR USES EXPRESSLY GRANTED IN WRITING, INFORMATION DISCLOSED HEREON IS CONFIDENTIAL AND ALL RIGHTS, PATENT AND OTHERWISE, ARE RESERVED BY SOUTHCO, INC.</small> | THIRD ANGLE PROJECTION | CONNECT • CREATE • INNOVATE | | |
| | MILLIMETERS [IN] | | | |
| | TOLERANCES UNLESS OTHERWISE NOTED | DESCRIPTION | STRIKER BOLT ASSEMBLY | |
| | ALL DIMENSIONS WITHOUT TOLERANCES ARE FOR REFERENCE ONLY. | SIZE | SYSTEM | DWG NO. |
| PER ASME Y14.5M-1994 | A4 | NX | J-R4-90-121 | |
| | DRAWN BY | DATE | SCALE | SHEET |
| | MDY/LAH | 16 DEC 2004 | 2:1 | 1 OF 1 |