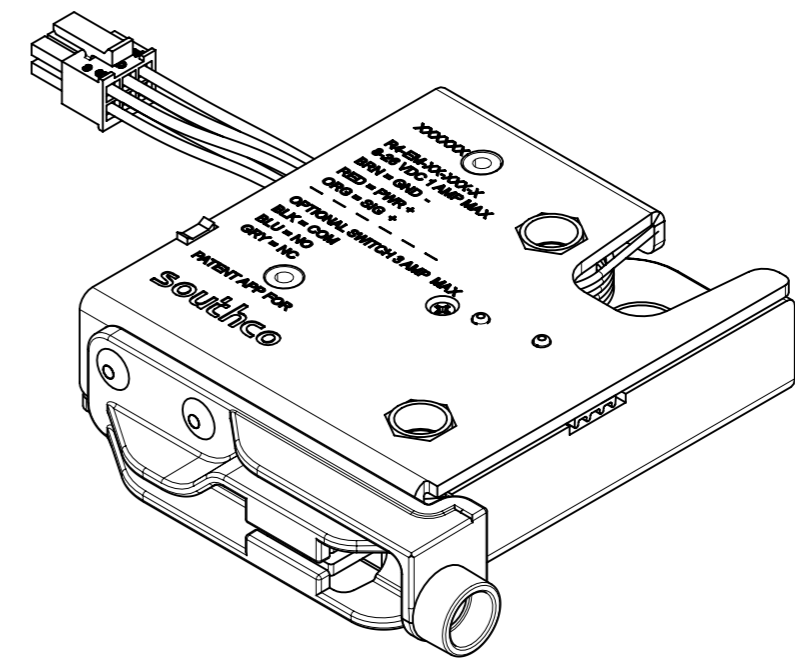
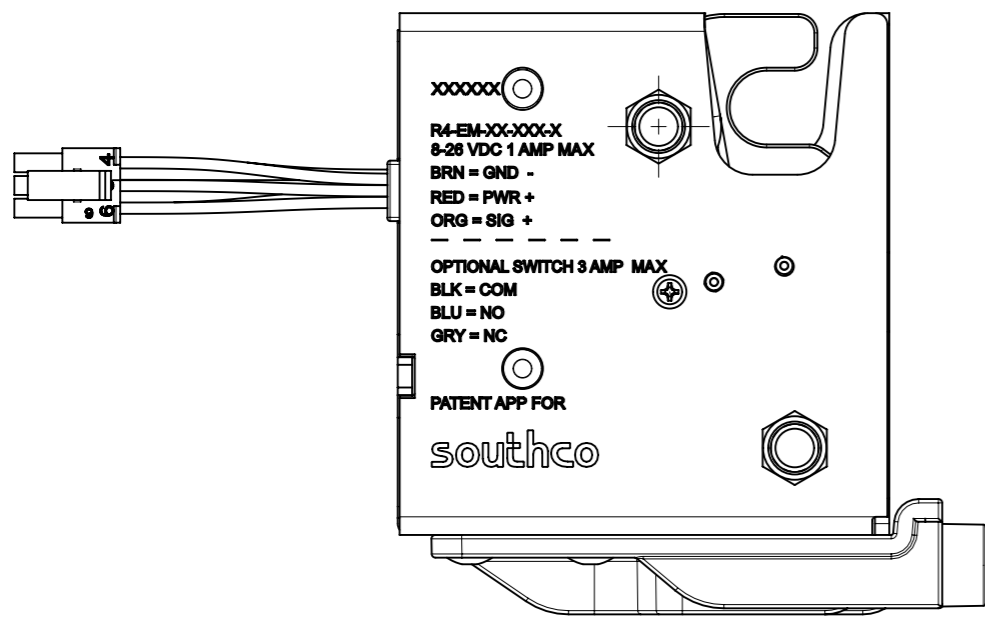
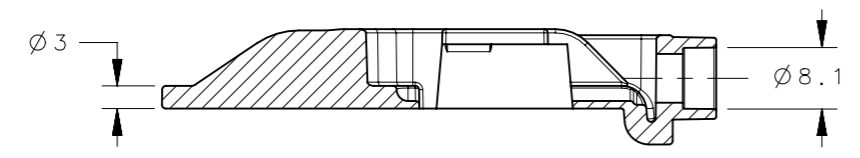
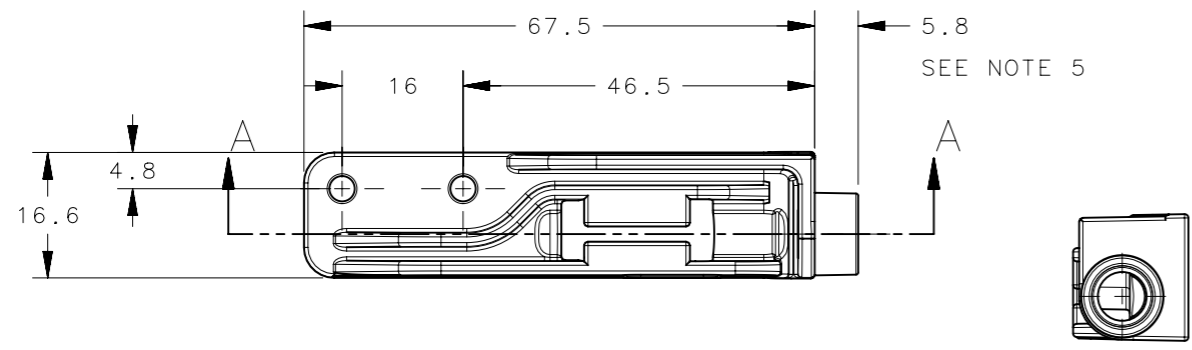


REVISION HISTORY			
REV	DATE	BY	DESCRIPTION
C	08AUG2016	CCH/GGG	PRN: P2016-1922

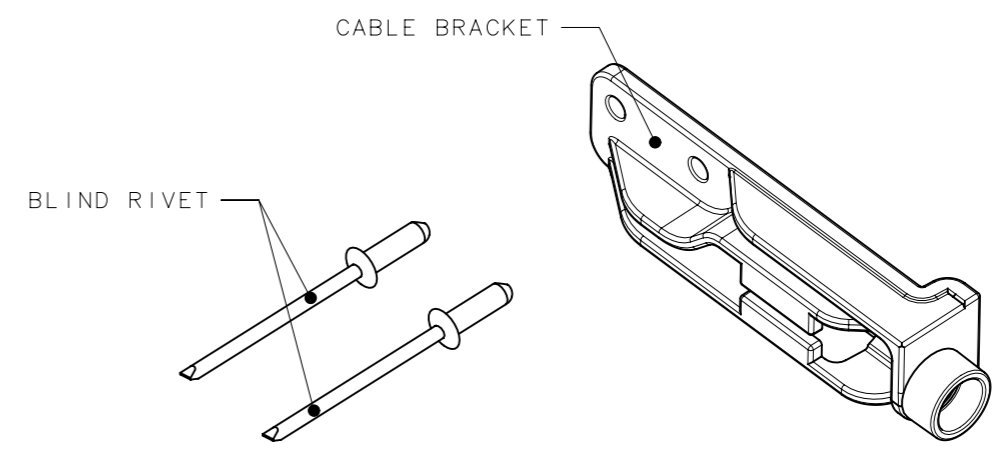


R4-EM-87 MOUNTING KIT ASSEMBLED



NOTES:

- THE R4-EM-87 BRACKET KIT ALLOWS A MECHANICAL OVERRIDE CABLE SYSTEM TO BE ATTACHED TO THE R4-EM FAMILY OF LATCHES. KIT CAN BE USED WITH:
R4-EM-R1X-XXX
R4-EM-R2X-XXX
R4-EM-R5X-XXX
R4-EM-R7X-XXX
- KIT CONTAINS ONE BRACKET AND TWO RIVETS IN A BAG.
- BRACKET IS INTENDED FOR USE WITH CABLES HAVING Ø6.35MM (Ø.25") SNAP RING CONDUIT FITTINGS.
- CONTACT SOUTHCO FOR AVAILABLE CABLE OPTIONS.
- INSTALLATION:
- LOCATE THE TWO FREE Ø3.28MM HOLES SPACED 16 MM APART AT THE BOTTOM OF THE LATCH
- MATE THE FLAT FACE OF THE BRACKET WITH WITH THE FLAT SURFACE AT THE BOTTOM OF THE LATCH AND ALIGN THE HOLES IN THE BRACKET WITH THE HOLES IN THE LATCH AS SHOWN.
- INSERT THE PROVIDED Ø1/8" BLIND POP RIVETS INTO EACH HOLE.
- WHILE HOLDING THE BRACKET IN THE CORRECT POSITION INSTALL THE RIVETS USING A BLIND RIVET TOOL WITH A 1/8" NOSEPIECE.
- FOR SOUTHCO TYPE 5 CABLE ASSEMBLIES, THE VARIABLE "TLC" = 15.5mm. SEE J-AC-C DRAWING FOR DETAILS.



R4-EM-87 MOUNTING KIT SHOWN

THIRD ANGLE PROJECTION			
TOLERANCES UNLESS OTHERWISE NOTED		DESCRIPTION	
ALL DIMENSIONS WITHOUT TOLERANCES ARE FOR REFERENCE ONLY.		R4-EM REAR TRIGGER MOUNTING KIT	
PROPRIETARY ITEM	SIZE	SYSTEM	DWG NO.
EXCEPT FOR USES EXPRESSLY GRANTED IN WRITING, INFORMATION DISCLOSED HEREON IS CONFIDENTIAL AND ALL RIGHTS, PATENT AND OTHERWISE, ARE RESERVED BY SOUTHCO, INC.	A3	NX	J-R4-EM-87
PER ASME Y14.5M-1994	DRAWN BY	DATE	SCALE SHEET
	BGL/CLB	06DEC2012	1:1 1 OF 1