

6

5

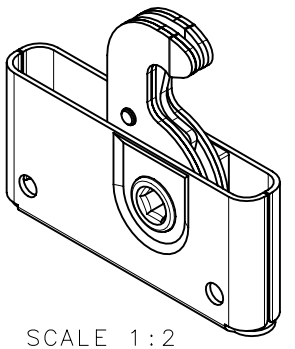
4

3

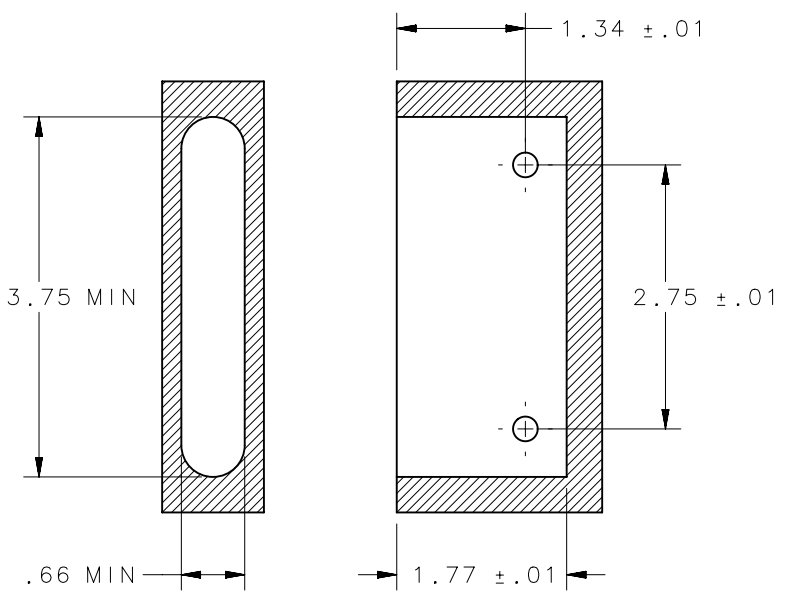
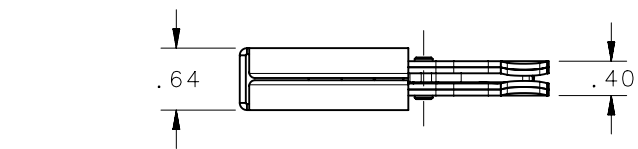
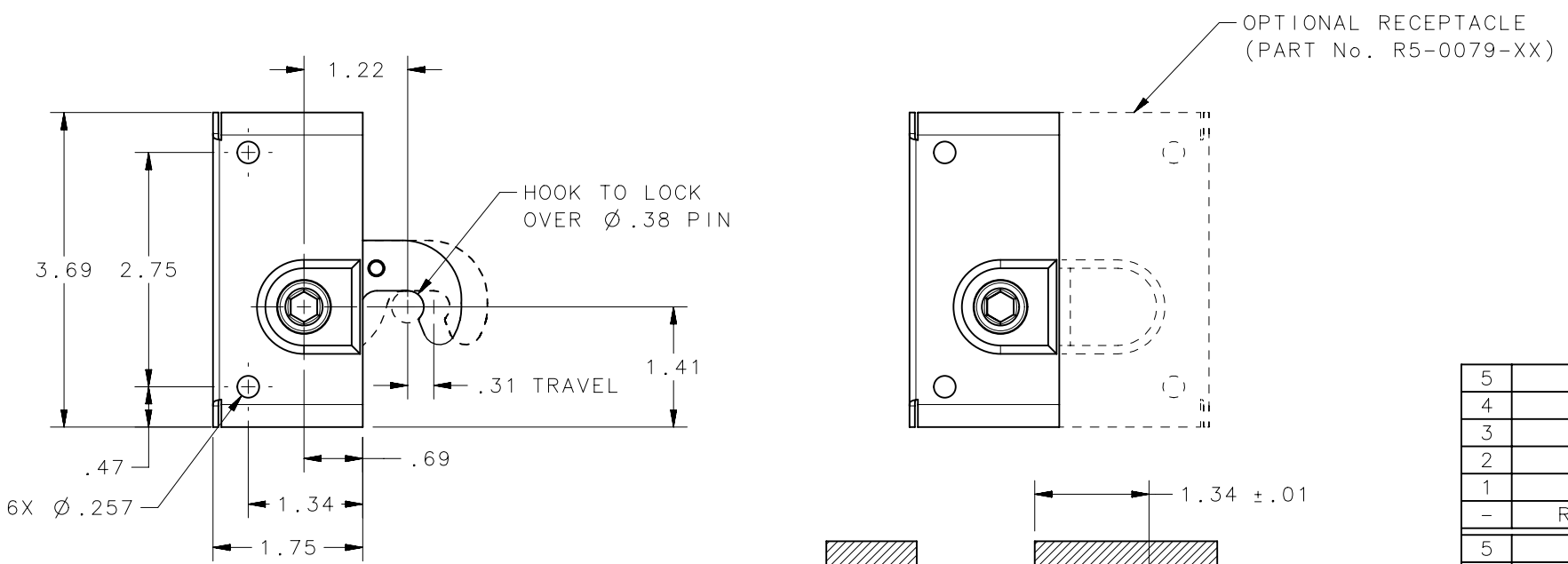
2

1

REVISION HISTORY			
REV	DATE	BY	DESCRIPTION
M	01OCT2019	MBT/DMS	PRN: P2019-2456



SCALE 1:2



RECESSED POCKET PANEL PREPARATION

5	-	1	PIN	410 STAINLESS STEEL	PASSIVATED
4	-	4	HOOKS	4130 STEEL, HARDENED	ZINC PLATE PLUS BRIGHT CHROMATE
3	-	1	TRIGGER	1020 STEEL	ZINC PLATE PLUS BRIGHT CHROMATE
2	-	1	CAM	POWDER METAL STEEL	ZINC PLATE PLUS BRIGHT CHROMATE
1	-	1	HOUSING	1008-1010 STEEL	GALVANIZED
-	R5-0074-17	-	ASSEMBLY	-	-
5	-	1	PIN	410 STAINLESS STEEL	PASSIVATED
4	-	4	HOOKS	4130 STEEL, HARDENED	ZINC PLATE, BRIGHT CHROMATE PLUS SEALER
3	-	1	TRIGGER	1020 STEEL	ZINC PLATE, BRIGHT CHROMATE PLUS SEALER
2	-	1	CAM	POWDER METAL STEEL	ZINC PLATE PLUS BRIGHT CHROMATE
1	-	1	HOUSING	1008-1010 STEEL	ZINC PLATE, BRIGHT CHROMATE PLUS SEALER
-	R5-0074-94	-	ASSEMBLY	-	-
5	-	1	PIN	410 STAINLESS STEEL	PASSIVATED
4	-	4	HOOKS	4130 STEEL, HARDENED	ZINC PLATE PLUS YELLOW CHROMATE
3	-	1	TRIGGER	1020 STEEL	ZINC PLATE PLUS YELLOW CHROMATE
2	-	1	CAM	POWDER METAL STEEL	ZINC PLATE PLUS BRIGHT CHROMATE
1	-	1	HOUSING	1008-1010 STEEL	ZINC PLATE PLUS YELLOW CHROMATE
-	R5-0074-08	-	ASSEMBLY	-	-
5	-	1	PIN	410 STAINLESS STEEL	PASSIVATED
4	-	4	HOOKS	4130 STEEL, HARDENED	ZINC PLATE PLUS BRIGHT CHROMATE
3	-	1	TRIGGER	1020 STEEL	ZINC PLATE PLUS BRIGHT CHROMATE
2	-	1	CAM	POWDER METAL STEEL	ZINC PLATE PLUS BRIGHT CHROMATE
1	-	1	HOUSING	1008-1010 STEEL	ZINC PLATE PLUS BRIGHT CHROMATE
-	R5-0074-07	-	ASSEMBLY	-	-
5	-	1	PIN	410 STAINLESS STEEL	PASSIVATED
4	-	4	HOOKS	4130 STEEL, HARDENED	ZINC PLATE PLUS BRIGHT CHROMATE
3	-	1	TRIGGER	1020 STEEL	ZINC PLATE PLUS BRIGHT CHROMATE
2	-	1	CAM	POWDER METAL STEEL	ZINC PLATE PLUS BRIGHT CHROMATE
1	-	1	HOUSING	1008-1010 STEEL	NATURAL
-	R5-0074-00	-	ASSEMBLY	-	-
S. No.	SOUTHCO PART NUMBER	QTY	TYPE OF COMPONENT	MATERIAL	FINISH

NOTES:-

1. THE TRIGGER MUST BE ACTIVATED TO THE "OPEN" POSITION BEFORE ATTEMPTING TO ACTUATE THE LATCH. THIS ACCOMPLISHED BY ROTATING THE HOOK BACK INTO THE HOUSING UNTIL IT STOPS, THEN APPLYING ADDITIONAL TORQUE TO ACTIVATE THE TRIGGER. IF THE TRIGGER IS NOT IN THE "OPEN" POSITION PRIOR TO CONTACT WITH THE PIN, THE LATCH WILL NOT FUNCTION PROPERLY.

THIRD ANGLE PROJECTION				 CONNECT • CREATE • INNOVATE	
INCHES [MM]					
SURFACE AREA		TOLERANCES UNLESS OTHERWISE NOTED		DESCRIPTION	
VOLUME		ALL DIMENSIONS WITHOUT TOLERANCES ARE FOR REFERENCE ONLY.		R5 DUAL LOCK ASSEMBLY	
PROPRIETARY ITEM		SIZE	SYSTEM	DWG NO.	
EXCEPT FOR USES EXPRESSLY GRANTED IN WRITING, INFORMATION DISCLOSED HEREON IS CONFIDENTIAL AND ALL RIGHTS, PATENT AND OTHERWISE, ARE RESERVED BY SOUTHCO, INC.		B	NX	J-R5-0074	
PER ASME Y14.5M-1994		DRAWN BY	DATE	SCALE	SHEET
		JGK	21APR1997	1:2	1 OF 1

6

5

4

3

2

1