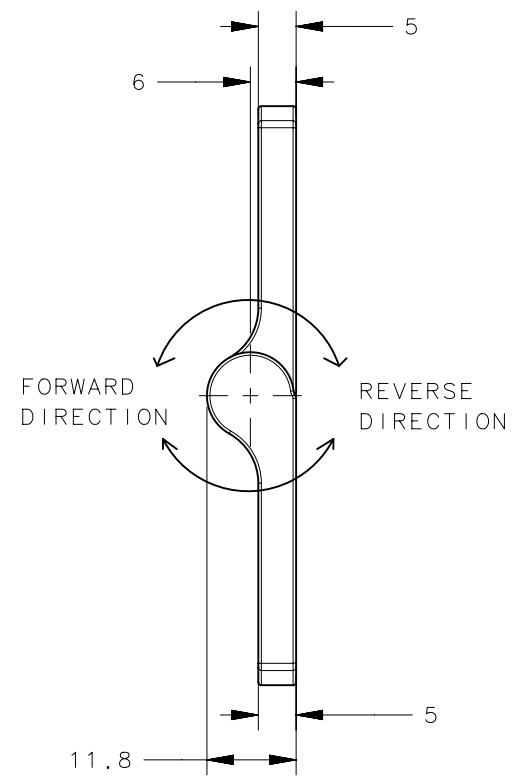
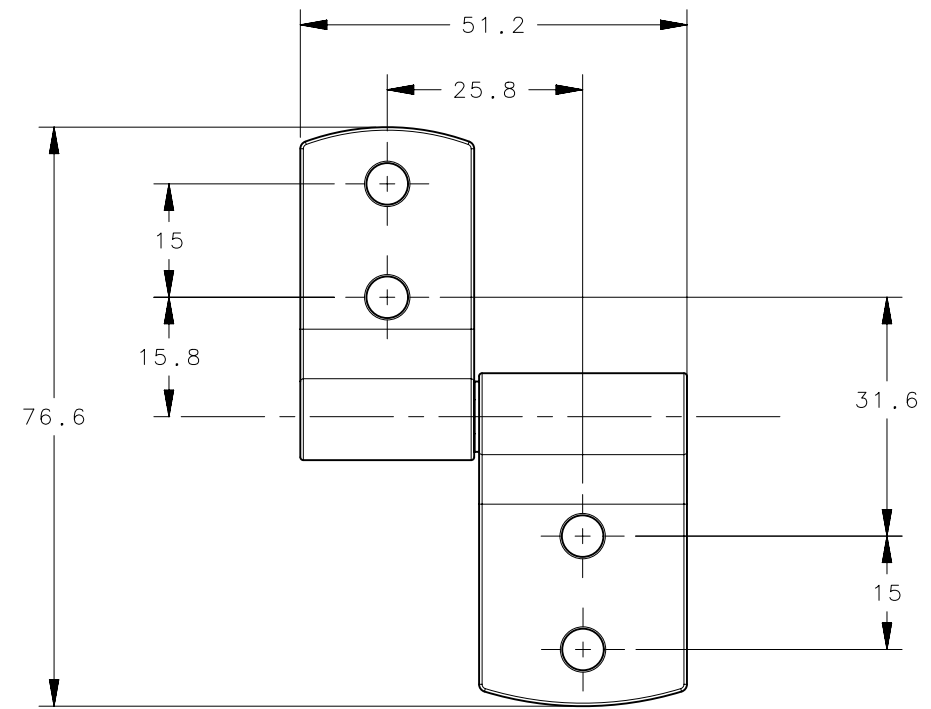
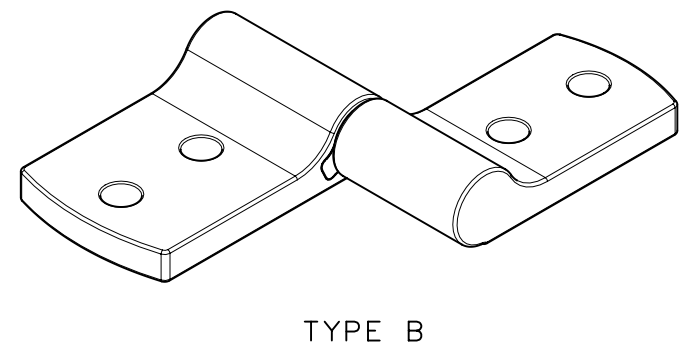
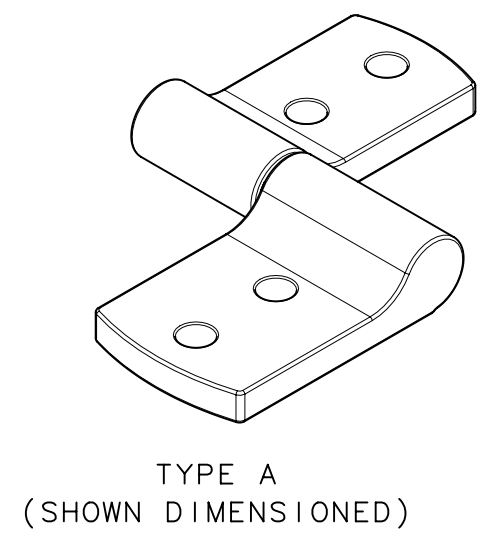
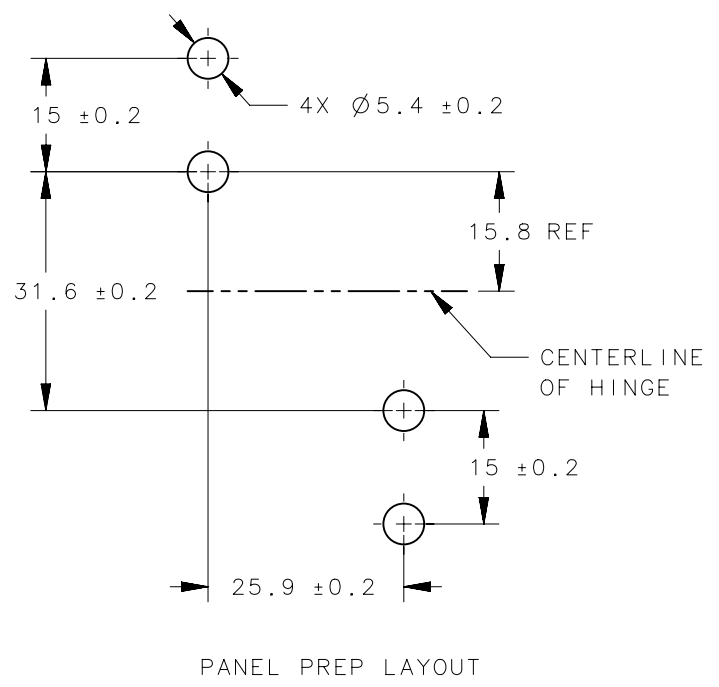


REVISION HISTORY			
REV	DATE	BY	DESCRIPTION
C	08NOV2012	MJS/JT	PRN: P2012-1325



- NOTES:
- PERFORMANCE TORQUE TOLERANCE  $\pm 20\%$
  - DESIGNED TO ACCEPT M5 OR No. 10 SCREW EQUIVALENT
  - MATERIAL AND FINISH:  
HINGE BODY: ZINC ALLOY. SEE TABLE FOR FINISH  
INTERNAL COMPONENTS: HARDENED STEEL
  - TO PROPERLY FUNCTION, TYPE A AND TYPE B HAVE TO BE USED TOGETHER
  - CYCLE LIFE TO BE 20,000 CYCLES WITH LESS THAN 20% TORQUE CHANGE FROM MANUFACTURED VALUE

PART NUMBER		STATIC TORQUE $\pm 20\%$	
TYPE A	TYPE B	FORWARD TORQUE N-m (in-lbf)	REVERSE TORQUE N-m (in-lbf)
ST-11A-140SA-[XX]	ST-11A-140SB-[XX]	1.58 (14)	1.58 (14)
ST-11A-200SA-[XX]	ST-11A-200SB-[XX]	2.26 (20)	2.26 (20)
ST-11A-260SA-[XX]	ST-11A-260SB-[XX]	2.94 (26)	2.94 (26)
ST-11A-140FA-[XX]	ST-11A-140FB-[XX]	1.58 (14)	0.95 (8.4)
ST-11A-200FA-[XX]	ST-11A-200FB-[XX]	2.26 (20)	1.36 (12)
ST-11A-260FA-[XX]	ST-11A-260FB-[XX]	2.94 (26)	1.76 (15.6)
ST-11A-320FA-[XX]	ST-11A-320FB-[XX]	3.62 (32)	2.17 (19.2)
ST-11A-140RA-[XX]	ST-11A-140RB-[XX]	0.95 (8.4)	1.58 (14)
ST-11A-200RA-[XX]	ST-11A-200RB-[XX]	1.36 (12)	2.26 (20)
ST-11A-260RA-[XX]	ST-11A-260RB-[XX]	1.76 (15.6)	2.94 (26)
ST-11A-320RA-[XX]	ST-11A-320RB-[XX]	2.17 (19.2)	3.62 (32)

THIRD ANGLE PROJECTION		 CONNECT • CREATE • INNOVATE		
MILLIMETERS [IN]				
SURFACE AREA XXXXXmm <sup>2</sup>	TOLERANCES UNLESS OTHERWISE NOTED ALL DIMENSIONS WITHOUT TOLERANCES ARE FOR REFERENCE ONLY.	DESCRIPTION Hinge & Controlled Motion Device		
VOLUME XXXXXmm <sup>3</sup>		SIZE B	SYSTEM NX	DWG NO. J-ST-11A
PROPRIETARY ITEM <small>EXCEPT FOR USES EXPRESSLY GRANTED IN WRITING, INFORMATION DISCLOSED HEREON IS CONFIDENTIAL AND ALL RIGHTS, PATENT AND OTHERWISE, ARE RESERVED BY SOUTHCO, INC.</small>		PER ASME Y14.5M-1994	DRAWN BY JT	DATE 23MAY08
		SCALE 1:1	SHEET 1 OF 1	