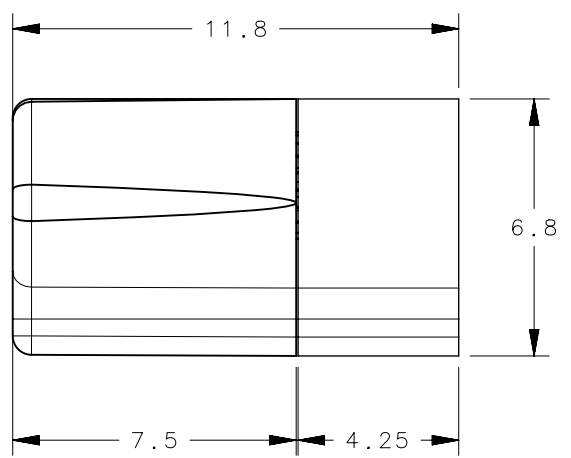
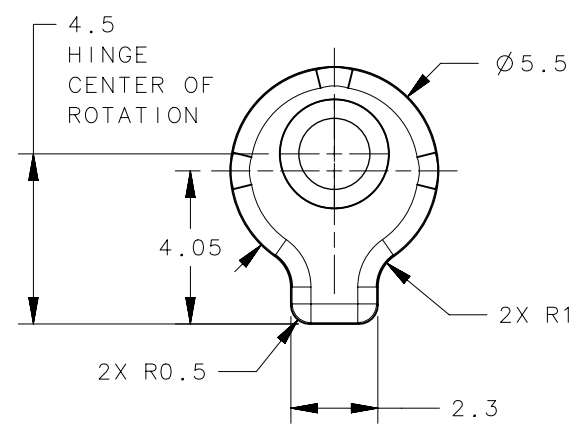
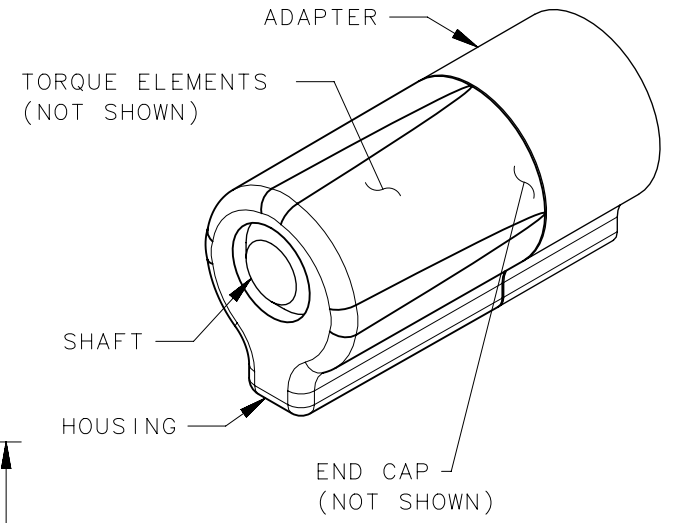
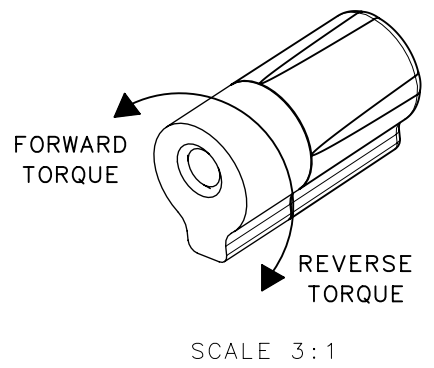
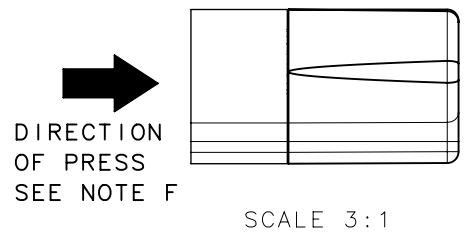


REVISION HISTORY			
REV	DATE	BY	DESCRIPTION
G	25JAN2022	AJD/CDW	PRN: P2022-0261



PART NUMBER	STATIC TORQUE FORWARD/REVERSE Nm(in-lbf) ±20%
ST-5A-10S-33	0.113 (1.00)
ST-5A-16S-33	0.181 (1.60)
ST-5A-23S-33	0.260 (2.30)
ST-5A-30S-33	0.339 (3.00)

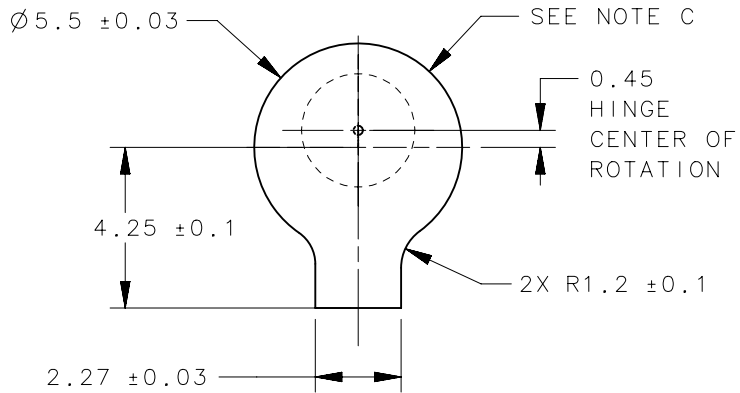
NOTES:

- A. RoHS COMPLIANT
- B. FOR PANEL PREP, SEE PAGE 2
- C. APPLY A 0.25mm X 45° CHAMFER TO INSERTION SIDE OF EDGE OR EACH "RIB"
- D. CARE MUST BE TAKEN TO LIMIT AXIAL MOVEMENT OF HINGE. HINGE ADAPTER MUST NOT BE ROTATED BY HOUSING PANEL PREP, AND HINGE HOUSING MUST NOT BE ROTATED BY ADAPTER PANEL PREP.
- E. MAX DEPTH  
HOUSING: 7.45  
ADAPTER: 4.15
- F. CUSTOMER TO INSTALL HINGE THROUGH BOTH THE FIXED AND ROTATING MATING COMPONENTS IN A SINGLE OPERATION AT THE SAME TIME

5	-	SHAFT	STEEL	NATURAL	
4	-	HOUSING	ZINC ALLOY		
3	-	TORQUE ELEMENT	STEEL		
2	-	ADAPTER	ALUMINUM ALLOY		
1	-	CAP	ZINC ALLOY		
-	ST-5A-XXS-33	ASSEMBLY	-	-	SEE TABLE ABOVE FOR SPECIFIC PART NUMBER
NO.	PART NUMBER	TYPE OF COMPONENT	MATERIAL	FINISH	GENERAL NOTES

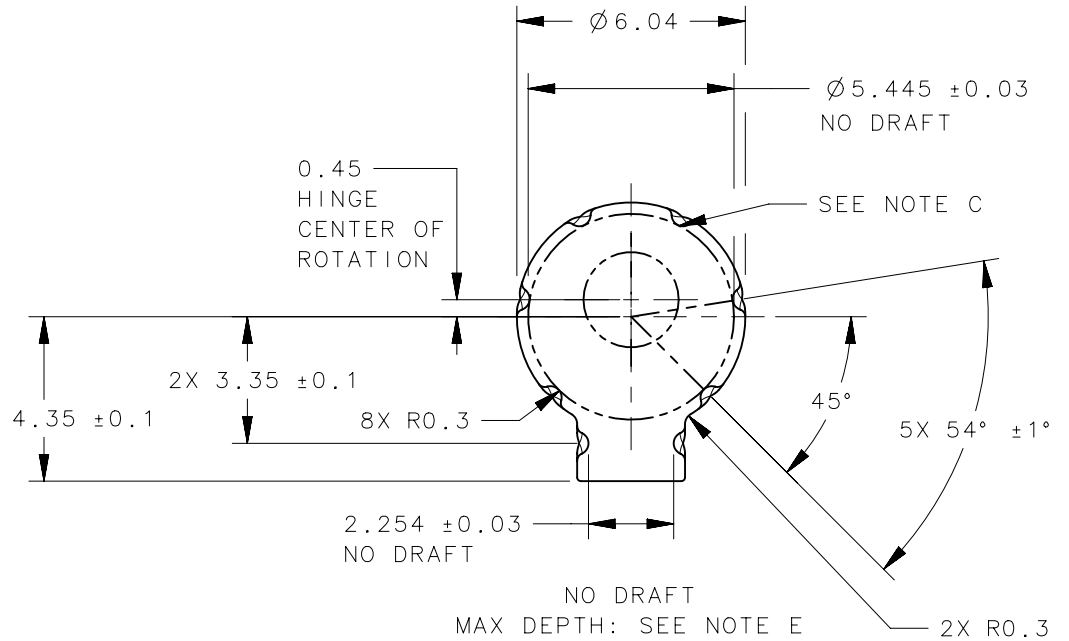
THIRD ANGLE PROJECTION					
MILLIMETERS [IN]					
TOLERANCES UNLESS OTHERWISE NOTED		DESCRIPTION HINGE & CONTROLLED MOTION DEVICE ST-5A HINGE ASSEMBLY			
ALL DIMENSIONS WITHOUT TOLERANCES ARE FOR REFERENCE ONLY.		SIZE A	SYSTEM NX	DWG NO. J-ST-5A	
<small>PROPRIETARY ITEM EXCEPT FOR USES EXPRESSLY GRANTED IN WRITING, INFORMATION DISCLOSED HEREON IS CONFIDENTIAL AND ALL RIGHTS, PATENT AND OTHERWISE, ARE RESERVED BY SOUTHCO, INC.</small>		DRAWN BY PG	DATE 07DEC10	SCALE 5:1	SHEET 1 OF 2
PER ASME Y14.5M-1994					

REVISION HISTORY			
REV	DATE	BY	DESCRIPTION
G	25JAN2022	AJD/CDW	PRN: P2022-0261



MAXIMUM DRAFT: 0.5°  
MAX DEPTH: SEE NOTE E

**PANEL PREPARATION  
(POLYMERS)**



NO DRAFT  
MAX DEPTH: SEE NOTE E

**PANEL PREPARATION  
(METALS)**

	THIRD ANGLE PROJECTION	 CONNECT • CREATE • INNOVATE			
	MILLIMETERS [IN]				
	TOLERANCES UNLESS OTHERWISE NOTED	DESCRIPTION HINGE & CONTROLLED MOTION DEVICE			
	ALL DIMENSIONS WITHOUT TOLERANCES ARE FOR REFERENCE ONLY.	SIZE A	SYSTEM NX	DWG NO. J-ST-5A	
PROPRIETARY ITEM <small>EXCEPT FOR USES EXPRESSLY GRANTED IN WRITING, INFORMATION DISCLOSED HEREON IS CONFIDENTIAL AND ALL RIGHTS, PATENT AND OTHERWISE, ARE RESERVED BY SOUTHCO, INC.</small>	PER ASME Y14.5M-1994	DRAWN BY PG	DATE 07DEC2010	SCALE 5:1	SHEET 2 OF 2