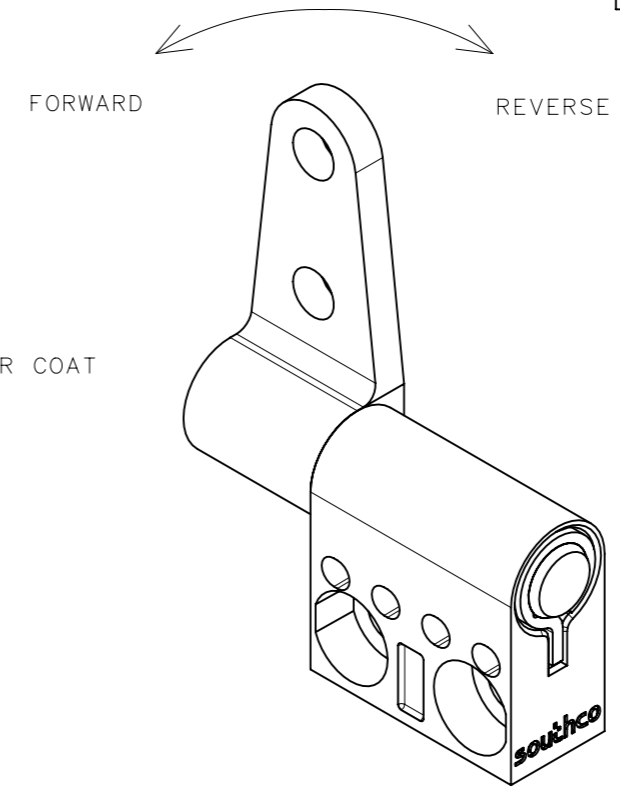
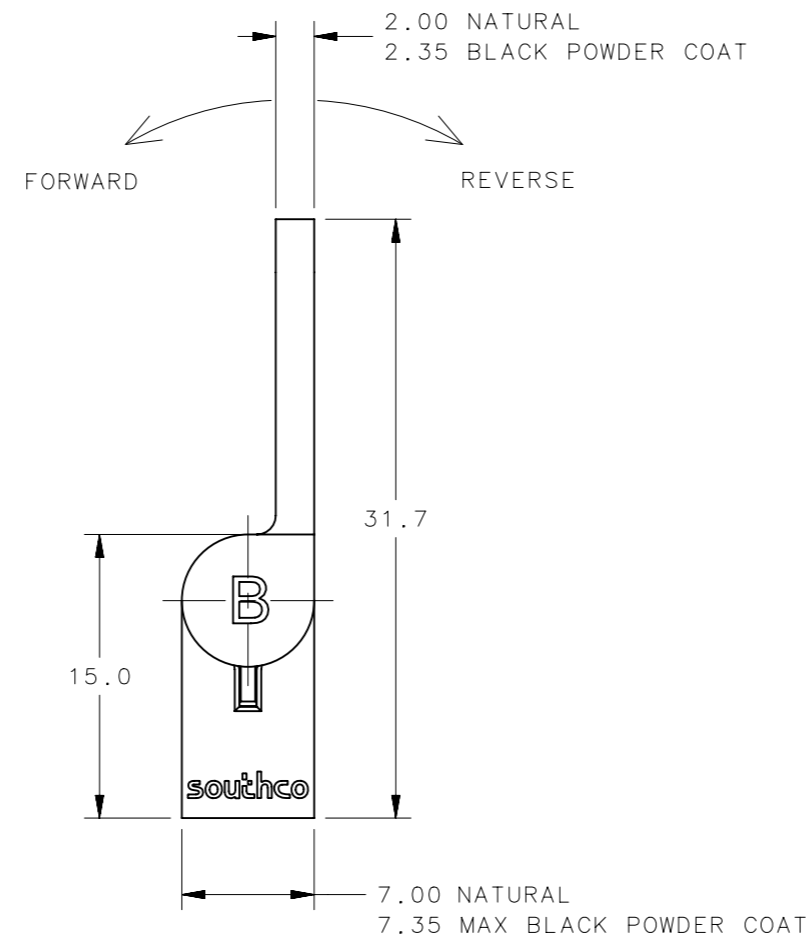
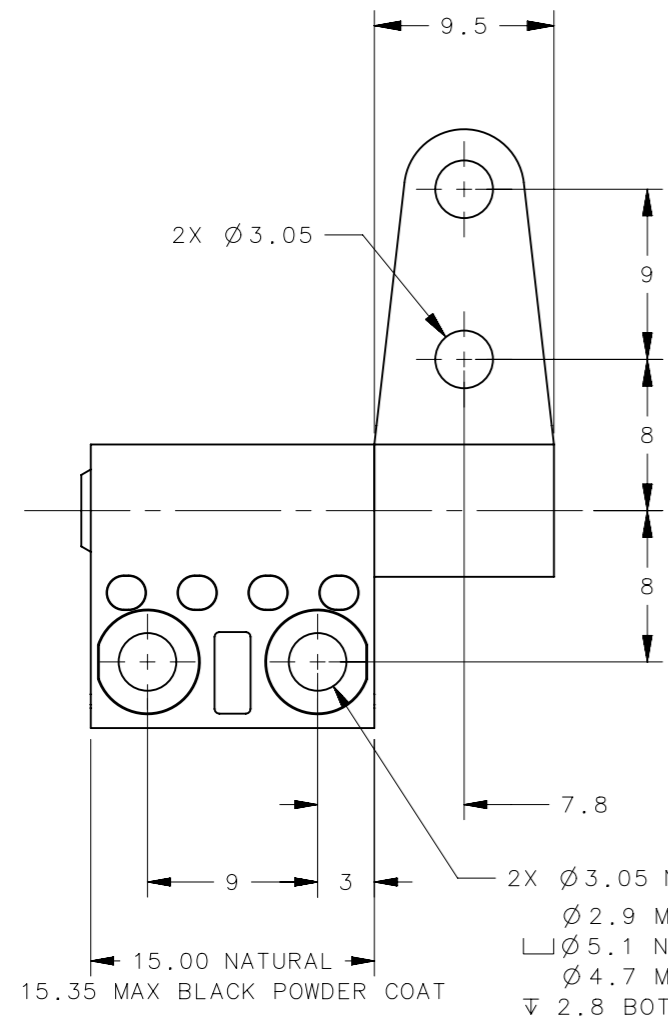
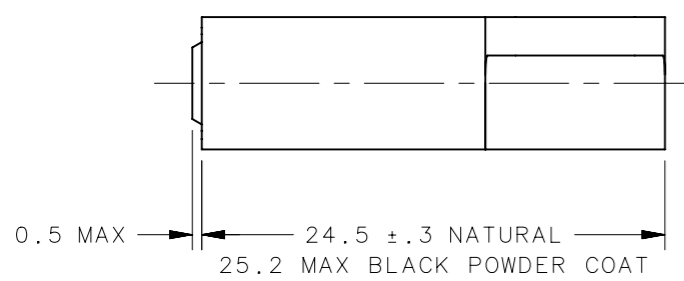
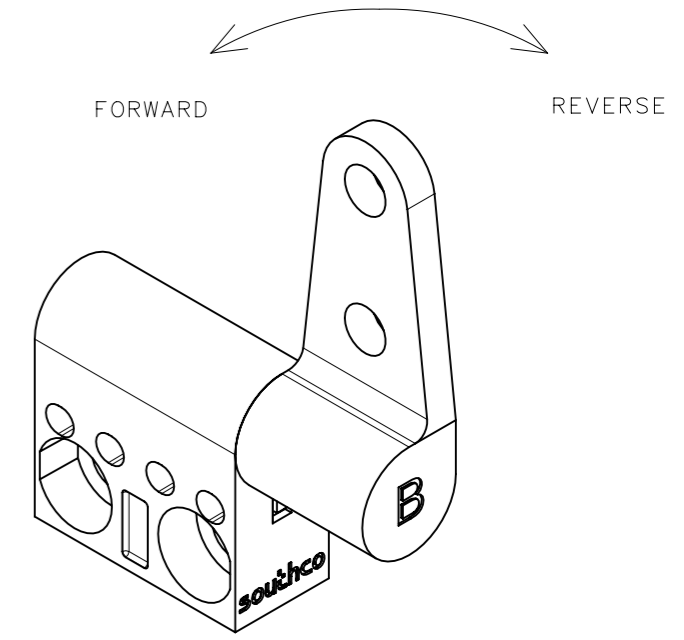


| REVISION HISTORY | | | |
|------------------|-----------|---------|-----------------|
| REV | DATE | BY | DESCRIPTION |
| K | 27FEB2020 | DKP/DMS | PRN: P2020-0379 |



TYPE A



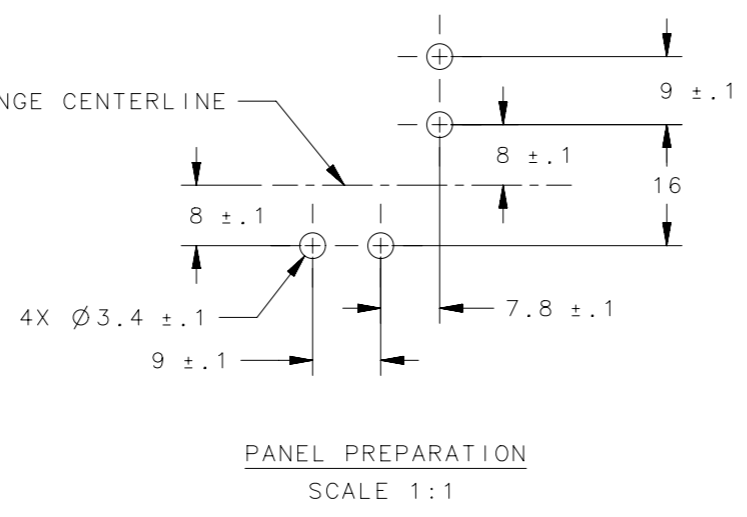
TYPE B
(SHOWN DIMENSION)

| PART NUMBER | | STATIC TORQUE ±20% | |
|---------------|---------------|--------------------|------------------|
| TYPE A | TYPE B | FORWARD (in-lbf) | REVERSE (in-lbf) |
| ST-7A-30SA-XX | ST-7A-30SB-XX | 3 | 3 |
| ST-7A-40SA-XX | ST-7A-40SB-XX | 4 | 4 |
| ST-7A-50SA-XX | ST-7A-50SB-XX | 5 | 5 |
| ST-7A-40FA-XX | ST-7A-40FB-XX | 4 | 2.4* |
| ST-7A-50FA-XX | ST-7A-50FB-XX | 5 | 3* |
| ST-7A-60FA-XX | ST-7A-60FB-XX | 6 | 3.6* |
| ST-7A-70FA-XX | ST-7A-70FB-XX | 7 | 4.2* |
| ST-7A-40RA-XX | ST-7A-40RB-XX | 2.4* | 4 |
| ST-7A-50RA-XX | ST-7A-50RB-XX | 3* | 5 |
| ST-7A-60RA-XX | ST-7A-60RB-XX | 3.6* | 6 |
| ST-7A-70RA-XX | ST-7A-70RB-XX | 4.2* | 7 |

* TOLERANCE IN LOW TORQUE DIRECTION ±30%

| PART NUMBER | DESCRIPTION | FINISH |
|----------------|------------------|-------------------|
| ST-7A-XXXXX-33 | ASSEMBLY-AS CAST | NATURAL |
| ST-7A-XXXXX-50 | ASSEMBLY-COATED | BLACK POWDER COAT |

- NOTES:
- MATERIAL & FINISH:
HOUSING AND ADAPTER - ZINC ALLOY,
FOR FINISH SEE TABLE.
SHAFT AND TORQUE ELEMENTS - HARDENED STEEL.
 - INSTALL HINGE USING NO.4 SOCKET HEAD
CAP SCREWS.
 - FOR PROPER FUNCTION, ASSEMBLY MUST INCLUDE
(1) TYPE "A" & (1) TYPE "B" HINGE.



| | | |
|----------------------------------------------------------------------------------------------------------------------------------------------------------------|-----------------------------------------------------------|-------------------------------------------|
| THIRD ANGLE PROJECTION | CONNECT · CREATE · INNOVATE | |
| MILLIMETERS [IN] | | |
| SURFACE AREA | TOLERANCES UNLESS OTHERWISE NOTED | DESCRIPTION |
| VOLUME | ALL DIMENSIONS WITHOUT TOLERANCES ARE FOR REFERENCE ONLY. | ST-7A HINGE ASSEMBLY TYPE A AND TYPE B |
| PROPRIETARY ITEM | SIZE A3 | SYSTEM NX |
| EXCEPT FOR USES EXPRESSLY GRANTED IN WRITING, INFORMATION DISCLOSED HEREON IS CONFIDENTIAL AND ALL RIGHTS, PATENT AND OTHERWISE, ARE RESERVED BY SOUTHCO, INC. | PER ASME Y14.5M-1994 | DWG NO. J-ST-7A |
| | DRAWN BY AS/JM | DATE 01MAR2006 |
| | | SCALE 2.5:1 |
| | | SHEET 1 OF 1 |