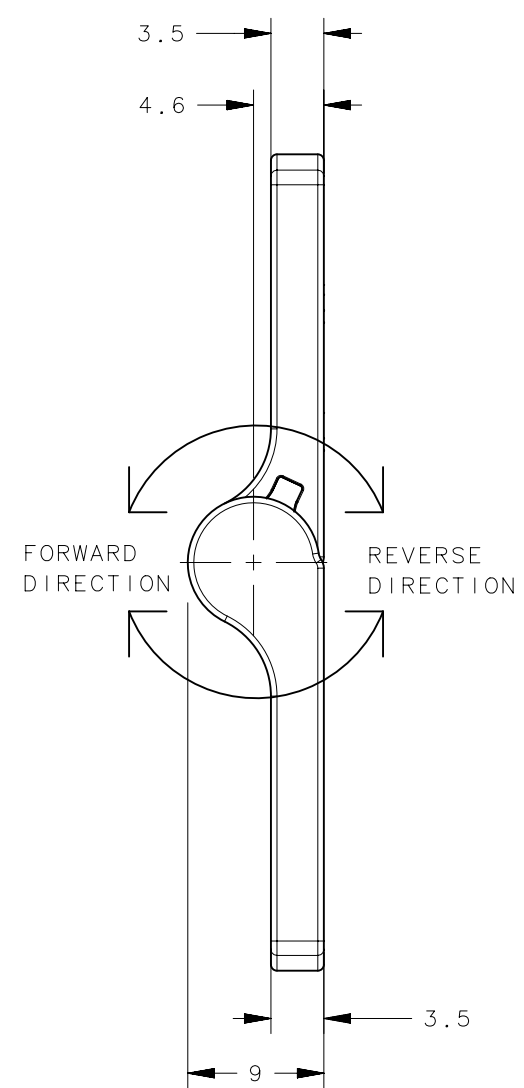
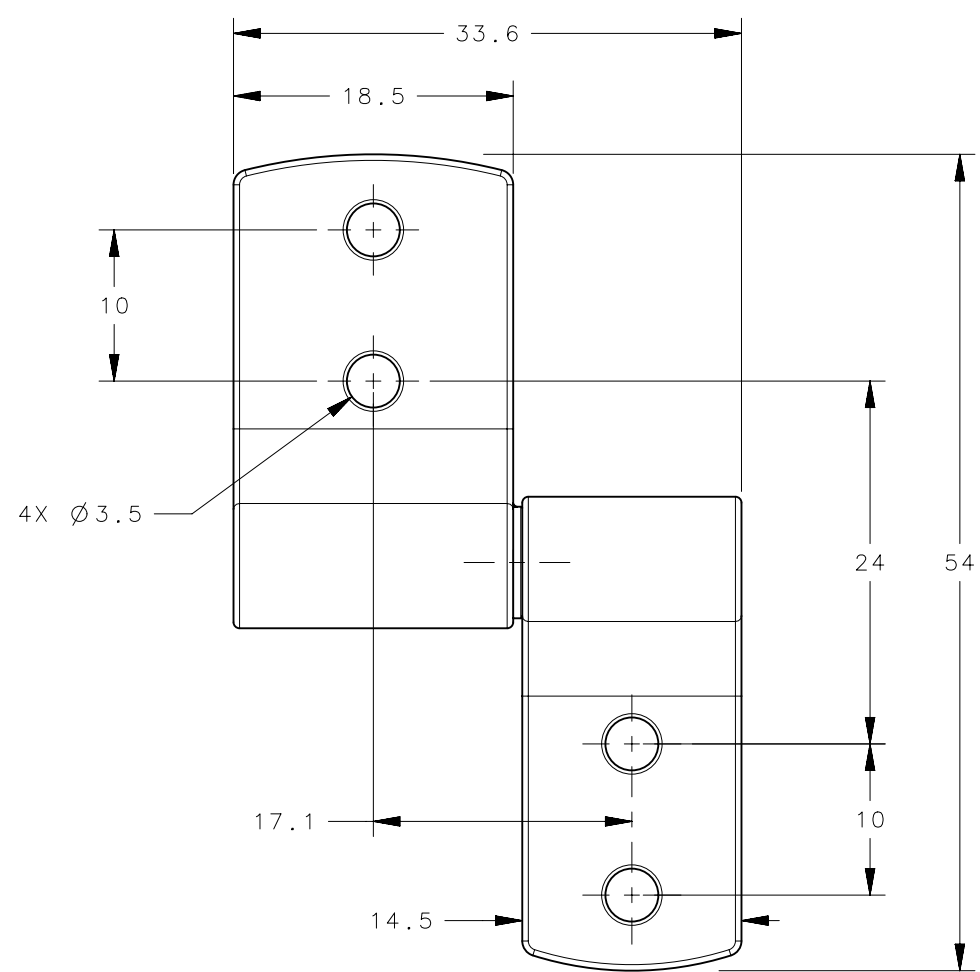
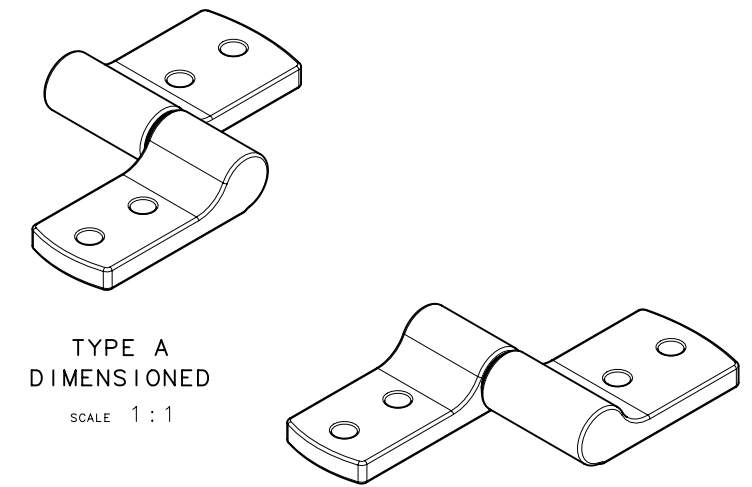
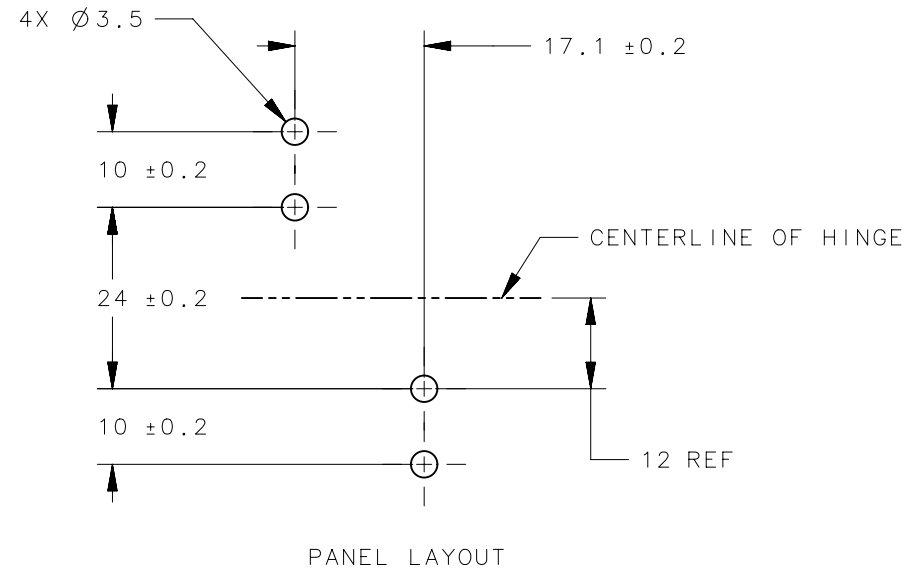


REVISION HISTORY			
REV	DATE	BY	DESCRIPTION
D	17JUN2015	MJS/MSR	PRN: P2015-1146



- NOTES:
1. PERFORMANCE TORQUE TOLERANCE  $\pm 20\%$
  2. DESIGNED TO ACCEPT M3 OR No. 4 SCREW EQUIVALENT
  3. MATERIAL:  
HINGE BODY: ZINC ALLOY. SEE TABLE FOR FINISH  
INTERNAL COMPONENTS: HARDENED STEEL
  4. TO PROPERLY FUNCTION, TYPE A AND TYPE B HAVE TO BE USED TOGETHER
  5. CYCLE LIFE TO BE 20,000 CYCLES WITH LESS THAN 20% TORQUE CHANGE FROM MANUFACTURED VALUE

[XX]	FINISH
-33	NATURAL
-50	BLACK

PART NUMBER		STATIC TORQUE $\pm 20\%$	
TYPE A	TYPE B	FORWARD TORQUE N-m (in-lbf)	REVERSE TORQUE N-m (in-lbf)
ST-8A-40SA-[XX]	ST-8A-40SB-[XX]	0.45 (4.0)	0.45 (4.0)
ST-8A-60SA-[XX]	ST-8A-60SB-[XX]	0.68 (6.0)	0.68 (6.0)
ST-8A-80SA-[XX]	ST-8A-80SB-[XX]	0.90 (8.0)	0.90 (8.0)
ST-8A-40FA-[XX]	ST-8A-40FB-[XX]	0.45 (4.0)	0.27 (2.4)
ST-8A-60FA-[XX]	ST-8A-60FB-[XX]	0.68 (6.0)	0.41 (3.6)
ST-8A-80FA-[XX]	ST-8A-80FB-[XX]	0.90 (8.0)	0.54 (4.8)
ST-8A-100FA-[XX]	ST-8A-100FB-[XX]	1.13 (10.0)	0.68 (6.0)
ST-8A-40RA-[XX]	ST-8A-40RB-[XX]	0.27 (2.4)	0.45 (4.0)
ST-8A-60RA-[XX]	ST-8A-60RB-[XX]	0.41 (3.6)	0.68 (6.0)
ST-8A-80RA-[XX]	ST-8A-80RB-[XX]	0.54 (4.8)	0.90 (8.0)
ST-8A-100RA-[XX]	ST-8A-100RB-[XX]	0.68 (6.0)	1.13 (10.0)

THIRD ANGLE PROJECTION		 CONNECT • CREATE • INNOVATE
MILLIMETERS [IN]		
SURFACE AREA	TOLERANCES UNLESS OTHERWISE NOTED	DESCRIPTION
VOLUME	ALL DIMENSIONS WITHOUT TOLERANCES ARE FOR REFERENCE ONLY.	HINGE ASSEMBLY
PROPRIETARY ITEM	PER ASME Y14.5M-1994	SIZE B SYSTEM NX DWG NO. J-ST-8A
EXCEPT FOR USES EXPRESSLY GRANTED IN WRITING, INFORMATION DISCLOSED HEREON IS CONFIDENTIAL AND ALL RIGHTS, PATENT AND OTHERWISE, ARE RESERVED BY SOUTHCO, INC.	DRAWN BY JT	DATE 28APR08 SCALE 2:1 SHEET 1 OF 1