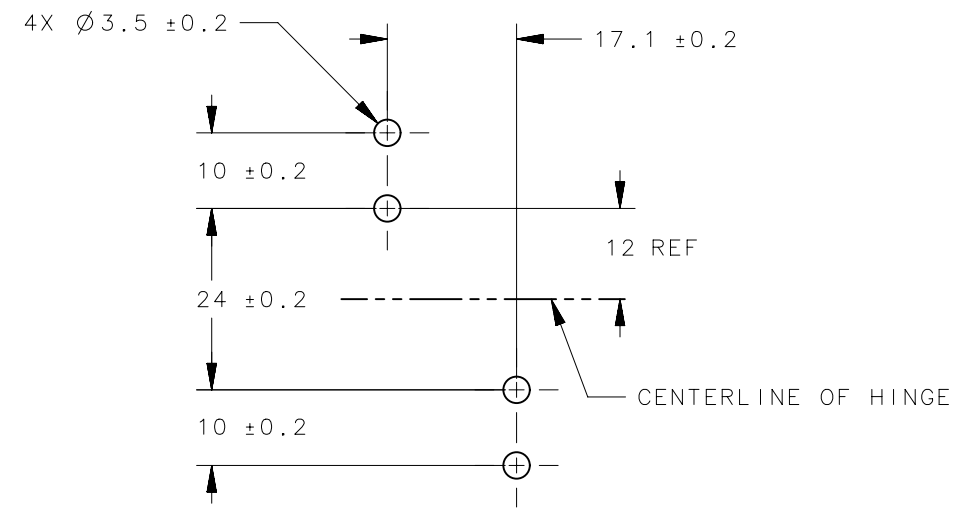
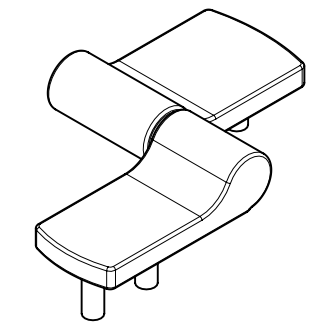


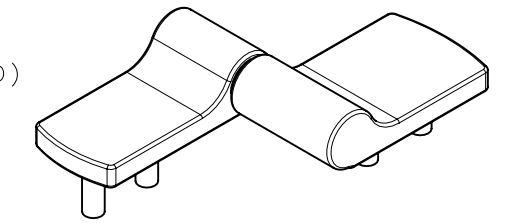
| REVISION HISTORY | | | |
|------------------|-----------|--------|-----------------|
| REV | DATE | BY | DESCRIPTION |
| C | 09NOV2012 | MJS/JT | PRN: P2012-1325 |



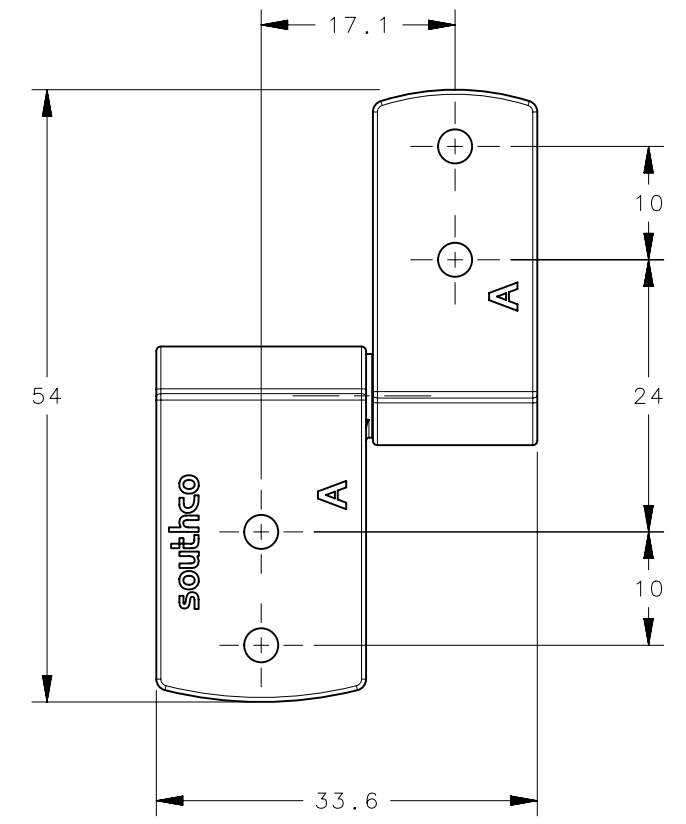
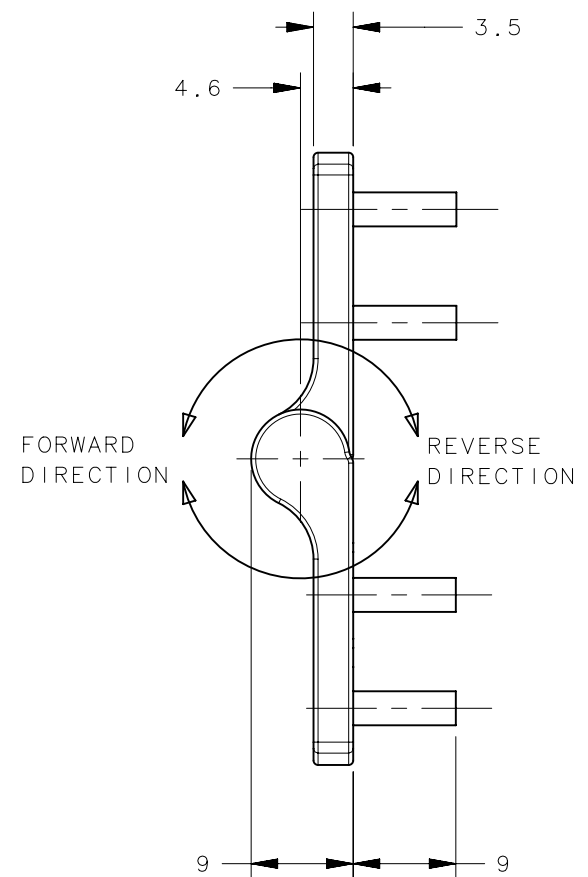
PANEL LAYOUT



TYPE A
(SHOWN DIMENSIONED)
SCALE 1:1



TYPE B
SCALE 1:1



- NOTES:
- PERFORMANCE TORQUE TOLERANCE $\pm 20\%$
 - MATERIAL AND FINISH:
HINGE BODY: ZINC ALLOY, SEE TABLE FOR FINISH
INTERNAL COMPONENTS: HARDENED STEEL
 - TO PROPERLY FUNCTION, TYPE A AND TYPE B HAVE TO BE USED TOGETHER
 - STUDS ARE M3 X 0.5 THREAD
 - CYCLE LIFE TO BE 20,000 CYCLES WITH LESS THAN 20% TORQUE CHANGE FROM MANUFACTURED VALUE

| PART NUMBER | | STATIC TORQUE $\pm 20\%$ | |
|-------------------|-------------------|--------------------------------|--------------------------------|
| | | FORWARD TORQUE N-m (in-lbf) | REVERSE TORQUE N-m (in-lbf) |
| | | [XX] | FINISH |
| | | -33 | NATURAL |
| | | -50 | BLACK |
| TYPE A | TYPE B | FORWARD TORQUE N-m (in-lbf) | REVERSE TORQUE N-m (in-lbf) |
| ST-8A1-40SA-[XX] | ST-8A1-40SB-[XX] | 0.45 (4.0) | 0.45 (4.0) |
| ST-8A1-60SA-[XX] | ST-8A1-60SB-[XX] | 0.68 (6.0) | 0.68 (6.0) |
| ST-8A1-80SA-[XX] | ST-8A1-80SB-[XX] | 0.90 (8.0) | 0.90 (8.0) |
| ST-8A1-40FA-[XX] | ST-8A1-40FB-[XX] | 0.45 (4.0) | 0.27 (2.4) |
| ST-8A1-60FA-[XX] | ST-8A1-60FB-[XX] | 0.68 (6.0) | 0.41 (3.6) |
| ST-8A1-80FA-[XX] | ST-8A1-80FB-[XX] | 0.90 (8.0) | 0.54 (4.8) |
| ST-8A1-100FA-[XX] | ST-8A1-100FB-[XX] | 1.13 (10.0) | 0.68 (6.0) |
| ST-8A1-40RA-[XX] | ST-8A1-40RB-[XX] | 0.27 (2.4) | 0.45 (4.0) |
| ST-8A1-60RA-[XX] | ST-8A1-60RB-[XX] | 0.41 (3.6) | 0.68 (6.0) |
| ST-8A1-80RA-[XX] | ST-8A1-80RB-[XX] | 0.54 (4.8) | 0.90 (8.0) |
| ST-8A1-100RA-[XX] | ST-8A1-100RB-[XX] | 0.68 (6.0) | 1.13 (10.0) |

| | | | |
|--|---|---------------------------------|-----------------|
| THIRD ANGLE PROJECTION | | CONNECT • CREATE • INNOVATE | |
| MILLIMETERS [IN] | | | |
| SURFACE AREA | TOLERANCES UNLESS OTHERWISE NOTED | DESCRIPTION | |
| VOLUME | ALL DIMENSIONS WITHOUT TOLERANCES ARE FOR REFERENCE ONLY. | HINGE ASSEMBLY, CAST STUDS | |
| PROPRIETARY ITEM | PER ASME Y14.5M-1994 | SIZE B | SYSTEM NX |
| EXCEPT FOR USES EXPRESSLY GRANTED IN WRITING, INFORMATION DISCLOSED HEREON IS CONFIDENTIAL AND ALL RIGHTS, PATENT AND OTHERWISE, ARE RESERVED BY SOUTHCO, INC. | PER ASME Y14.5M-1994 | DWG NO. J-ST-8A1 | DATE 21APR08 |
| | | SCALE 1.5:1 | SHEET 1 OF 1 |