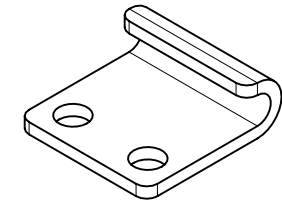
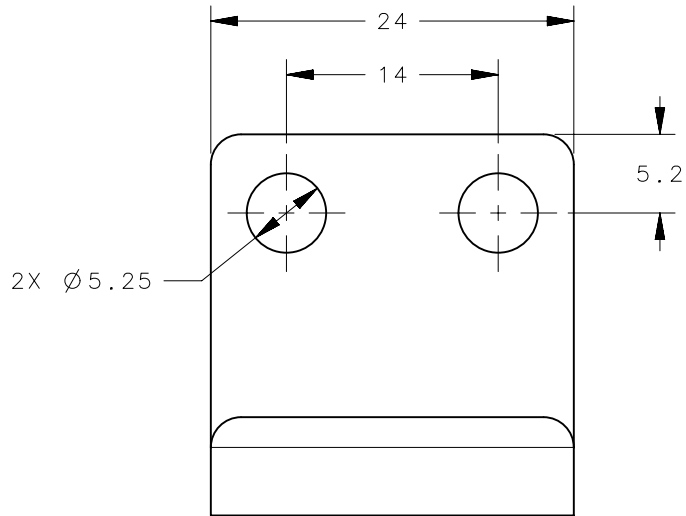
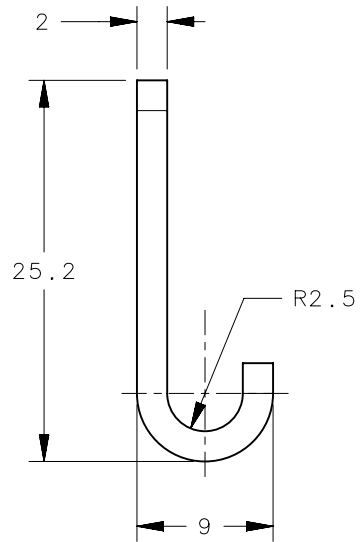
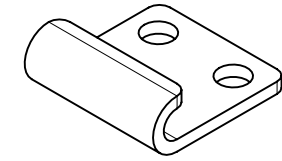


REVISION HISTORY			
REV	DATE	BY	DESCRIPTION
A	06NOV2013	CMS/DGJ	PRN: P2013-2205



SCALE 1:1



TL-17-501-52	STAINLESS STEEL	PASSIVATE
TL-17-501-07	STEEL	ZINC PLATE, TRIVALENT CHROMATE
PART NUMBER	MATERIAL	FINISH

	THIRD ANGLE PROJECTION	 CONNECT • CREATE • INNOVATE	
	MILLIMETERS [IN]		
SURFACE AREA	TOLERANCES UNLESS OTHERWISE NOTED	DESCRIPTION	
VOLUME	ALL DIMENSIONS WITHOUT TOLERANCES ARE FOR REFERENCE ONLY.	STRIKE	
PROPRIETARY ITEM	PER ASME Y14.5M-1994	SIZE A4	SYSTEM NX
EXCEPT FOR USES EXPRESSLY GRANTED IN WRITING, INFORMATION DISCLOSED HEREON IS CONFIDENTIAL AND ALL RIGHTS, PATENT AND OTHERWISE, ARE RESERVED BY SOUTHCO, INC.		DWG NO. J-TL-17-501-XX	
		DRAWN BY CMS/DGJ	DATE 06NOV2013
		SCALE 2:1	SHEET 1 OF 1