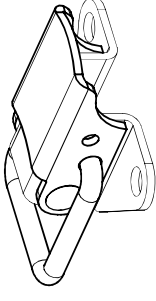
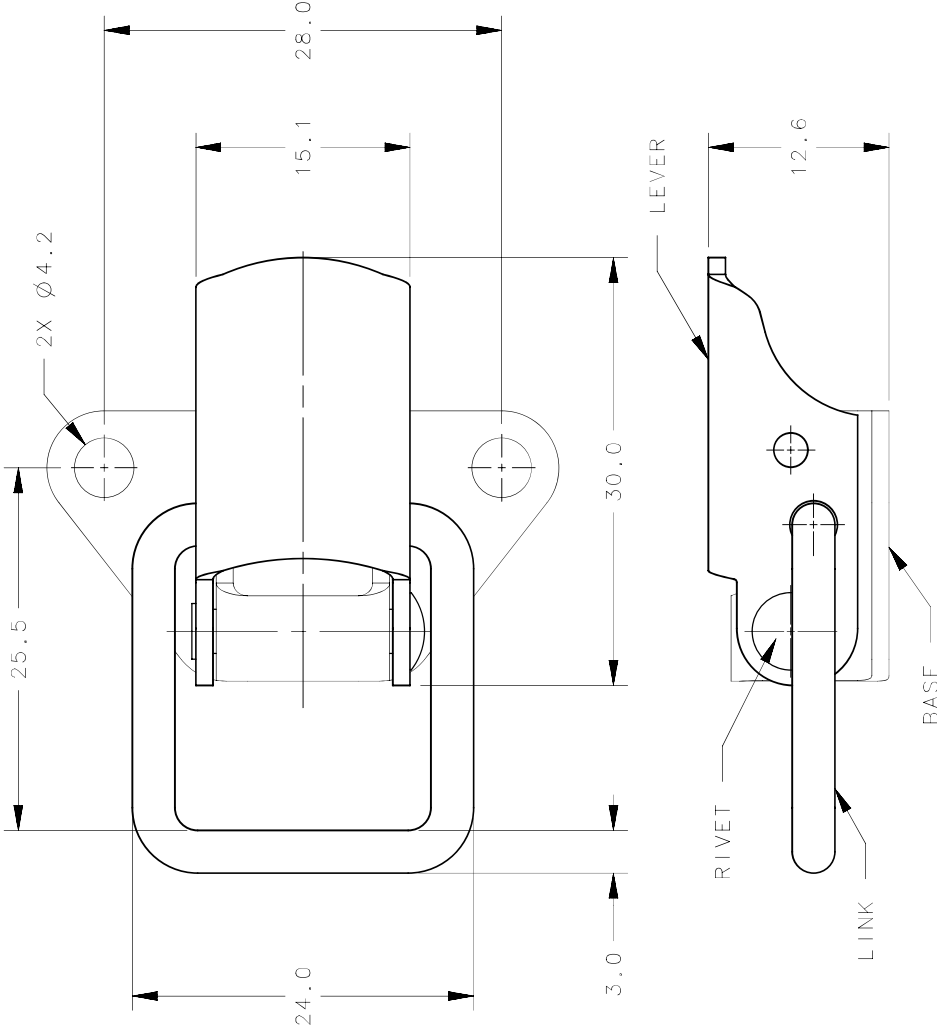


REVISION HISTORY			
REV	DATE	BY	DESCRIPTION
B	24JUN2015	RNG/YGC	PRN: P2015-1204



SCALE 1:1



TL-20-106-24	ASSEMBLY	316 STAINLESS STEEL	ELECTROPOLISHED
TL-20-106-52	ASSEMBLY	STAINLESS STEEL	CLEAN
TL-20-106-07	ASSEMBLY	CARBON STEEL	ZINC PLATE AND TRIVALENT PASSIVATE
TL-20-106-00	ASSEMBLY	CARBON STEEL	UNPLATED - CLEAN
PART NUMBER	TYPE OF COMPONENT		MATERIAL
THIRD ANGLE PROJECTION		FINISH	

MILLIMETERS [IN]		SIZE	DATE
TOLERANCES UNLESS OTHERWISE NOTED		A4	03NOV2005
ALL DIMENSIONS WITHOUT TOLERANCES ARE FOR REFERENCE ONLY.		SYSTEM	SCALE
PER ASME Y14.5M-1994		NX	2:1
SURFACE AREA		DRAWN BY MJW	
VOLUME		DATE 03NOV2005	
PROPRIETARY ITEM EXCEPT FOR USES EXPRESSLY GRANTED IN WRITING. INFORMATION DISCLOSED HEREIN IS UNCLASSIFIED AND ALL RIGHTS, PATENT AND OTHERWISE, ARE RESERVED BY SOUTHCO, INC.		DESCRIPTION	
		TOGGLE LATCH ASSEMBLY	
		DWG NO. J-TL-20-106-XX	
		SCALE 2:1	
		SHEET 1 OF 1	

**southco**<sup>®</sup>  
CONNECT • CREATE • INNOVATE

TOGGLE LATCH ASSEMBLY

DWG NO. J-TL-20-106-XX

SIZE A4

SYSTEM NX

DATE 03NOV2005

SCALE 2:1

SHEET 1 OF 1

DRAWN BY MJW

DATE 03NOV2005

SCALE 2:1

SHEET 1 OF 1